

6

5

4

3

2

1

E

E

D

D

C

C

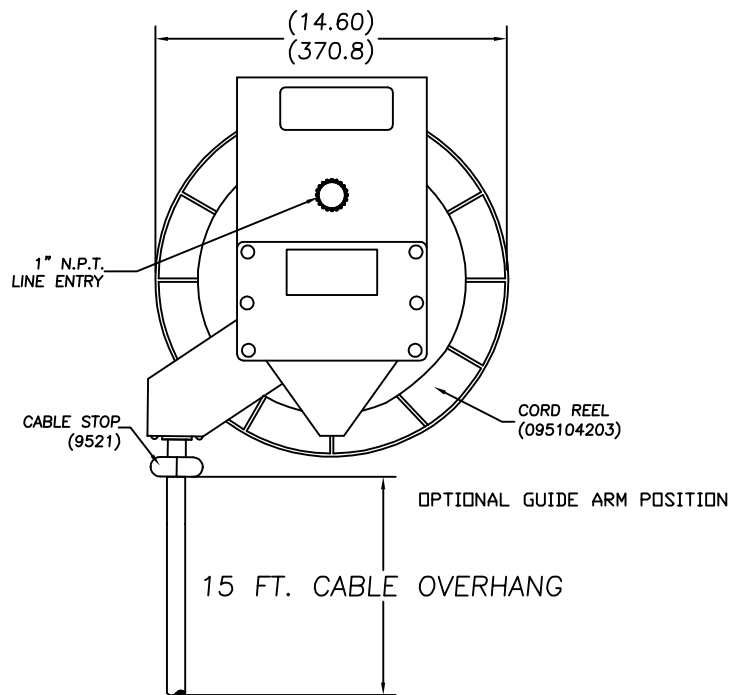
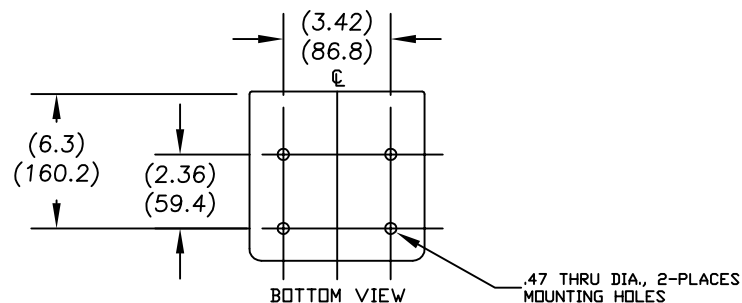
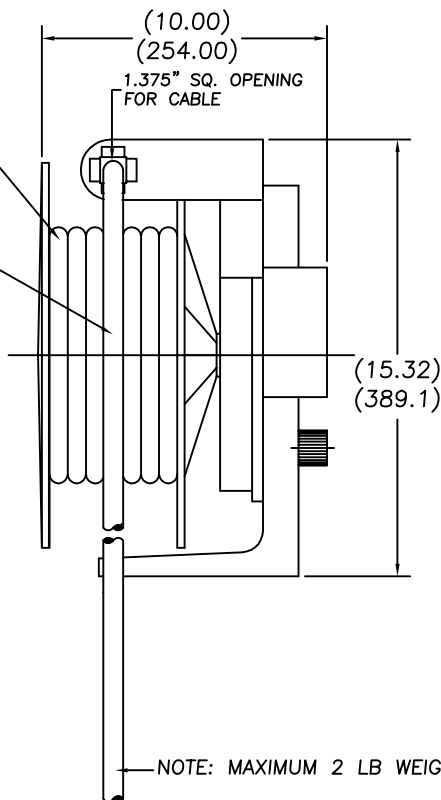
B

B

A

A

60 FEET TOTAL CABLE LENGTH  
 45 ON SPOOL - WORKING CABLE  
 15 FT. OF OVERHANG



RELEASE DRAWING EC NO: WNA2009-0763 DRWN: TVICKERS 5/21/09 CHKD: HKNEELAN 2009/04/30 APPR: DTTITUS 2009/08/10	QUALITY SYMBOLS ▽=0 ∇=0	GENERAL TOLERANCES (UNLESS SPECIFIED)		DIMENSION STYLE IN/MM		SCALE NTS	DESIGN UNITS INCH	THIRD ANGLE PROJECTION	
			mm	INCH	DRAWN BY	DATE	TITLE		
		4 PLACES	±----	±----	TVICKERS	2009/05/21	095104203 W/ 60 FT. #12/3 SOOW CABLE		
		3 PLACES	±----	±.005	CHECKED BY	DATE	MOLEX INCORPORATED		
2 PLACES	±----	±.010	SC	2009/05/21	MATERIAL NO. 1300830881				
1 PLACE	±----	±.020	APPROVED BY	DATE	DOCUMENT NO. SD-130083-010				
ANGULAR ±----°		DRAFT WHERE APPLICABLE MUST REMAIN WITHIN DIMENSIONS		DTITUS 2009/05/21		SHEET NO. 1 OF 1			
A	REV			SIZE A		THIS DRAWING CONTAINS INFORMATION THAT IS PROPRIETARY TO MOLEX INCORPORATED AND SHOULD NOT BE USED WITHOUT WRITTEN PERMISSION			

6

5

4

3

2

1