

MATERIAL NO.	ENGINEERING NO.	FINISHED LENGTH
1300120113	332020A01F060	6 FT. (1.83 M)
1300120119	332020A01F120	12 FT. (3.66 M)
1300120127	332020A01F200	20 FT. (6.10 M)

**CABLE LENGTH TOLERANCES**

<.3M [1FT]: +19mm-0 [ +.75in-0]

.3 - .9M [1 - 3FT]: +44.5mm-0 [+1.75in-0]

.9 - 1.8M [3 - 6FT]: +55.6mm-0 [+2.19in-0]

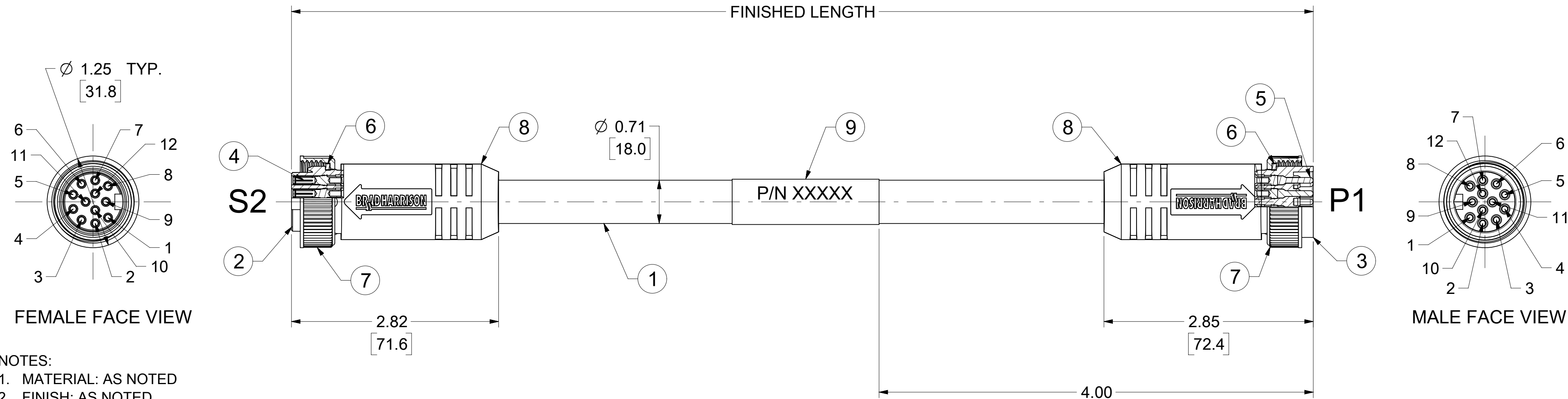
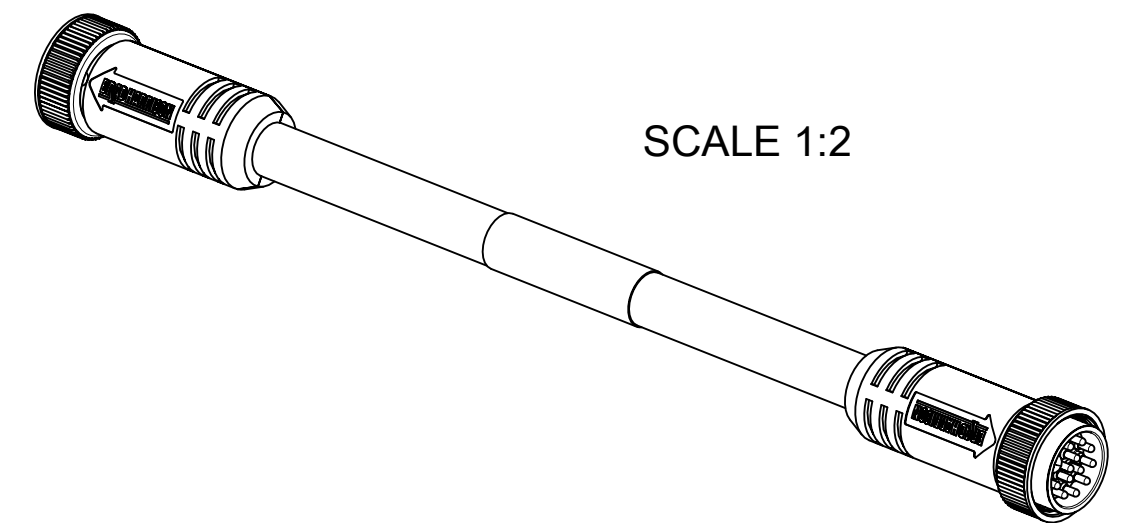
1.8 - 3.7M [6 - 12FT]: +88.9mm-0 [+3.50in-0]

3.7 - 7.3M [12 - 24FT]: +165.1mm-0 [+6.50in-0]

7.3-14.6M [24 - 48FT]: +317.5mm-0 [+12.50in-0]

14.6 - 30.5M [48-100FT]: +622.3mm-0 [+24.50in-0]

OVER 30M [100FT] +2% OF FINISHED LENGTH



- NOTES:**
- MATERIAL: AS NOTED
  - FINISH: AS NOTED
  - ELECTRICAL:  
VOLTAGE: 320V PER IEC60664 (B)  
600V PER UL2238  
CURRENT: 5A
  - TEMP RATING: -20°C TO +105°C (B)
  - MATES WITH: MINI-CHANGE, C-SIZE 12 POLE RECEPTACLE
  - PROTECTION: IP67 (WHEN MATED)
  - CSA CERTIFIED FILE: LR6837 (B)
  - UL RECOGNIZED FILE: E152210
  - COUPLING THREAD: 1 1/8"-16UN
  - ASSEMBLY IS ROHS COMPLIANT
  - ALL DIMS ARE FOR REFERENCE UNLESS TOLERANCED OR NOTED OTHERWISE

**WIRING DIAGRAM**

S2		P1	
1	ORANGE	1	
2	BLUE	2	
3	WHITE/BLACK	3	
4	RED/BLACK	4	
5	GREEN/BLACK	5	
6	ORANGE/BLACK	6	
7	BLUE/BLACK	7	
8	BLACK/WHITE	8	
9	GREEN/YELLOW	9	
10	RED	10	
11	WHITE	11	
12	BLACK	12	

**PART NUMBER LEGEND (B)**

**332020A01F060**

FINISHED LENGTH  
F001= .1 FT  
F020= 2 FT  
F200= 20 FT

ITEM	DESCRIPTION	MATERIAL	FINISH
9	WRAP LABEL	VINYL	BLACK/YELLOW (B)
8	OVERMOLD	TPE	YELLOW (B)
7	COUPLING NUT	ZINC DIE CAST	BLACK E-COAT
6	FRICTION RING	NYLON	WHITE
5	PIN CONTACT	Cu ALLOY	GOLD OVER NICKEL
4	SOCKET CONTACT	Cu ALLOY	GOLD OVER NICKEL
3	MALE INSERT	TPE	YELLOW (B)
2	FEMALE INSERT	TPE	YELLOW (B)
1	CABLE #16-12 AWG, STOOV/ST	PVC JACKET	YELLOW
ITEM	DESCRIPTION	MATERIAL	FINISH

FUNCTIONAL SYMBOLS	THIS DRAWING CONTAINS INFORMATION THAT IS PROPRIETARY TO MOLEX ELECTRONIC TECHNOLOGIES, LLC AND SHOULD NOT BE USED WITHOUT WRITTEN PERMISSION		CURRENT REV DESC: UPDATED ITEM #2,3,8 WERE PVC, 8 WAS MYLAR, MATERIAL P/N TABLE . ADDED CSA,UL, IEC VOLT, TEMP RATING, IP RATING, TOL.CHART & PART NUMBER LEGEND	
	DIMENSION UNITS	SCALE	EC NO: 701162	
$F_A = 0$	INCH	1:1	DRWN: AKABADI	2021/11/12
$F_C = 0$	GENERAL TOLERANCES (UNLESS SPECIFIED)		CHK'D: RSTONE	2022/03/30
$F_P = 0$			APPR: BWOODMAN	2022/04/08
DIVISIONAL SYMBOLS			INITIAL REVISION:	
4 PLACES ±	MM	INCH	DRWN: DRAWN BY	0099/99/99
3 PLACES ±			APPR: APPR BY	0099/99/99
2 PLACES ±			THIRD ANGLE PROJECTION	
1 PLACE ±			DRAWING	SERIES
0 PLACES ±			C-SIZE	130012
ANGULAR TOL ± °		DRAWING		SERIES
DRAFT WHERE APPLICABLE MUST REMAIN WITHIN DIMENSIONS		C-SIZE		130012
		MATERIAL NUMBER		CUSTOMER
		SD-130012-002		GENERAL MARKET
		DOCUMENT NUMBER		DOC TYPE   DOC PART   REVISION
		PSD		001   B
		SHEET NUMBER		1 OF 1