

**NOTES**

- MATERIAL  
 HOUSING LCP UL94V-0 (NATURAL)  
 ACTUATOR LCP UL94V-0 (BLACK)  
 TERMINAL PHOSPHOR BRONZE  
 FITTING NAIL PHOSPHOR BRONZE
- PLATING  
 TERMINAL : SELECTIVE GOLD[Au] OVER NICKEL[Ni] PLATING.  
 CONTACT AREA : GOLD[Au] 0.1 MICROMETER MIN. OVER NICKEL[Ni] 1.0~3.0 MICROMETER(UNDER PLATING)  
 SOLDER AREA : GOLD[Au] 0.05 MICROMETER MIN. OVER NICKEL[Ni] 1.0~3.0 MICROMETER(UNDER PLATING)  
 FITTING NAIL : TIN[Sn] OVER NICKEL[Ni] PLATING.  
 Tin[Sn] 1~3 MICROMETER.  
 NICKEL[Ni] 1~3 MICROMETER (UNDER PLATING)
- PRODUCT SPECIFICATION : PS-104184-001  
 PACKING SPECIFICATION : PK-104184-001
- ACTUATOR IS CLOSED IN THE EMBOSSED PACKING
- COPLANARITY IS AFTER REFLOW 0.1MAX.

REVISED	EC NO: KOR2015-0076	2014/12/17	QUALITY SYMBOLS
	DRWN:YRK/IM	2014/12/17	
B	CHKD:KSK/IM	2015/03/09	DESCRIPTION
	APPR:YSK/IM02		

GENERAL TOLERANCES (UNLESS SPECIFIED)	
	mm INCH
4 PLACES	± --- ± ---
3 PLACES	± 0.005 ± ---
2 PLACES	± 0.05 ± ---
1 PLACE	± 0.1 ± ---
ANGULAR ± 1 °	
DRAFT WHERE APPLICABLE MUST REMAIN WITHIN DIMENSIONS	

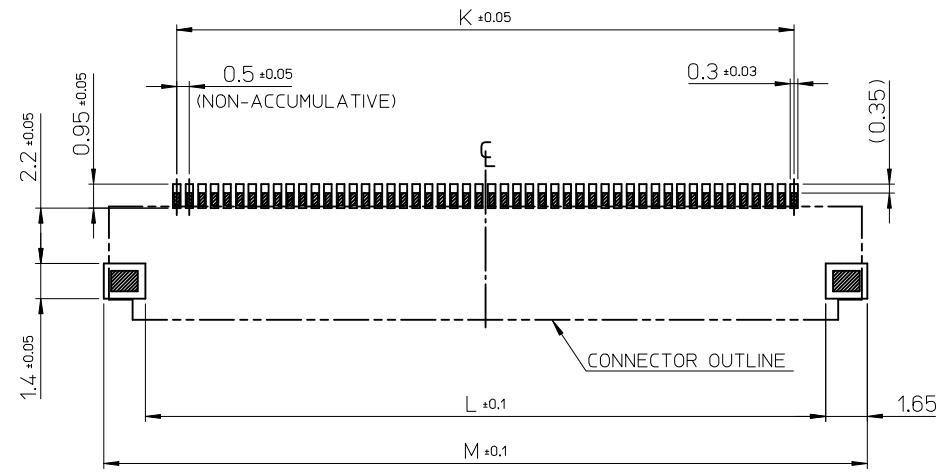
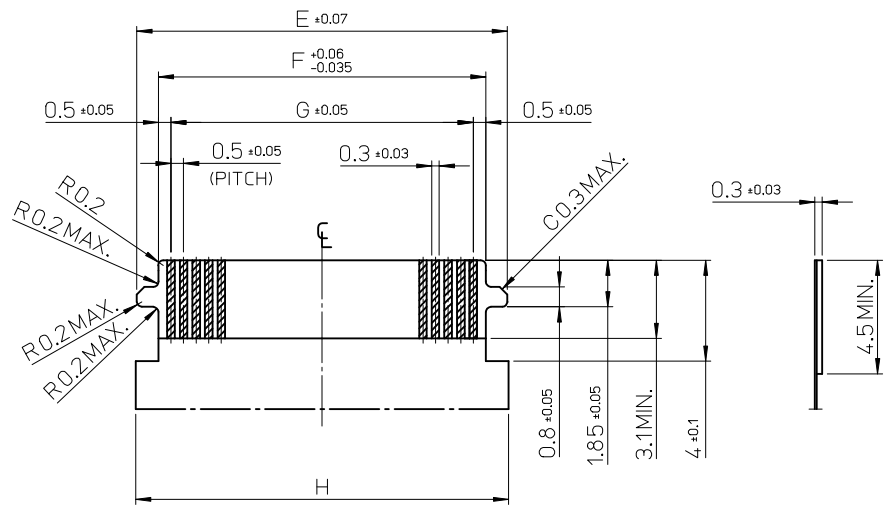
DIMENSION STYLE	
MM ONLY	
DRAWN BY	DATE
YRK/IM	2014/10/01
CHECKED BY	DATE
KSK/IM	2014/10/01
APPROVED BY	DATE
YSK/IM02	2014/10/02
MATERIAL NO.	
SEE TABLE	
SIZE	A3

SCALE	DESIGN UNITS	THIRD ANGLE PROJECTION
20:1	METRIC	☉ □
TITLE		
0.5 FFC CONN EASY-ON R/A SMT HSG ASS'Y (H=2.0MM)		
molex		
MATERIAL NO.	DOCUMENT NO.	SHEET NO.
	SD-104184-001	1 OF 3
THIS DRAWING CONTAINS INFORMATION THAT IS PROPRIETARY TO MOLEX INCORPORATED AND SHOULD NOT BE USED WITHOUT WRITTEN PERMISSION		

38.88	34.55	37.0	33.5	104184-6817	68
29.88	25.55	28.0	24.5	104184-5017	50
D	C	B	A	ORDER No.	Ckt

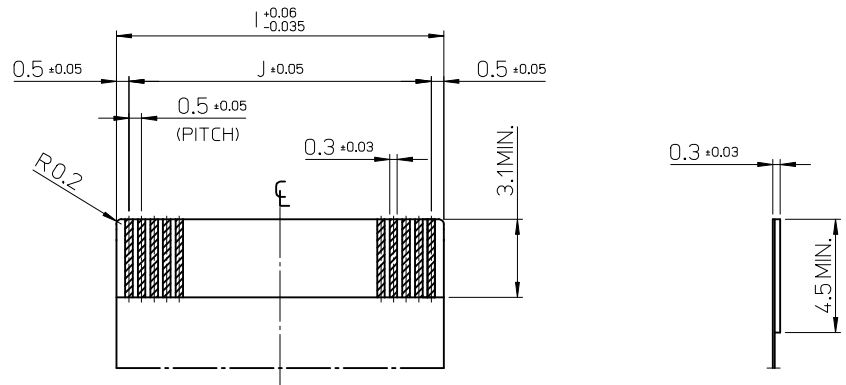
10 9 8 7 6 5 4 3 2 1

APPLICABLE FFC  
RECOMMENDED DIMENSION

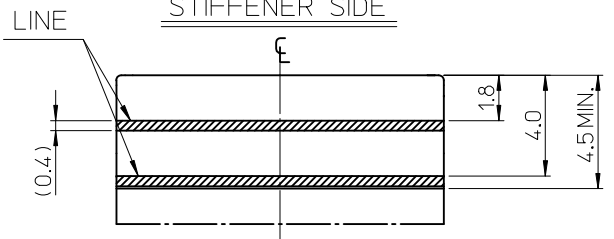


P.C.BOARD PATTERN  
DIMENSION (REF.)  
(MOUNTING SIDE)

RECOMMEND METAL MASK THICKNESS : t=0.15



STIFFENER SIDE

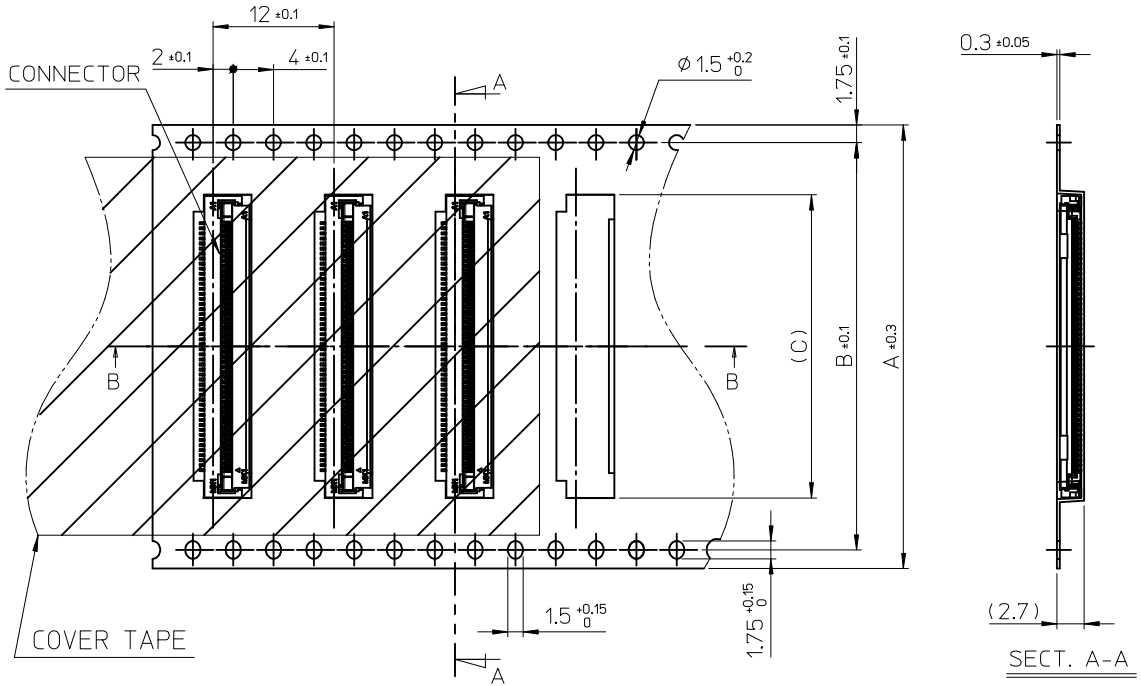


39.3	36	33.5	33.5	34.5	36.3	33.5	34.5	36.2	104184-6817	68
30.3	27	24.5	24.5	25.5	27.3	24.5	25.5	27.2	104184-5017	50
M	L	K	J	I	H	G	F	E	ORDER No.	Ckt

REVISED EC NO: KOR2015-0076 DRWN:YRK1M 2014/12/17 CHKD:KSK1M 2014/12/17 APPR:YSK1M02 2015/03/09	QUALITY SYMBOLS ▽=0 ◻=0	GENERAL TOLERANCES (UNLESS SPECIFIED)		DIMENSION STYLE MM ONLY		SCALE 20:1	DESIGN UNITS METRIC	THIRD ANGLE PROJECTION			
		mm	INCH	DRAWN BY YRK1M	DATE 2014/10/01	TITLE 0.5 FFC CONN EASY-ON R/A SMT HSG ASS'Y (H=2.0MM)					
B	REV	4 PLACES	± ---	± ---	CHECKED BY KSK1M	DATE 2014/10/01	DOCUMENT NO. SD-104184-001				
		3 PLACES	± 0.005	± ---	APPROVED BY YSK1M02	DATE 2014/10/02					
		2 PLACES	± 0.05	± ---			SHEET NO. 2 OF 3				
		1 PLACE	± 0.1	± ---							
		ANGULAR ± 1 °		MATERIAL NO. SEE SHEET1		THIS DRAWING CONTAINS INFORMATION THAT IS PROPRIETARY TO MOLEX INCORPORATED AND SHOULD NOT BE USED WITHOUT WRITTEN PERMISSION					
		DRAFT WHERE APPLICABLE MUST REMAIN WITHIN DIMENSIONS		SIZE A3							

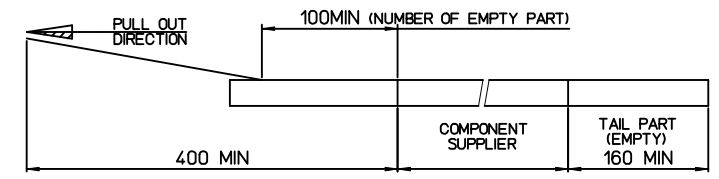
9 8 7 6 5 4 3 2 1

DIRECTION OF PULLING OUT

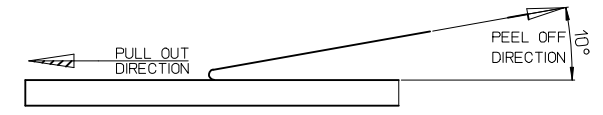


NOTES

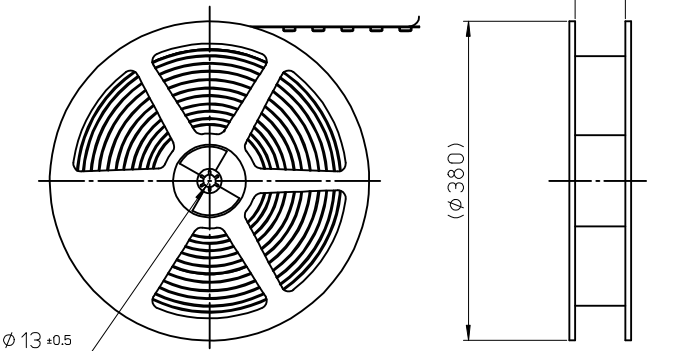
1. QUANTITY OF CONNECTORS : 3000PCS/REEL
2. LEAD LENGTH



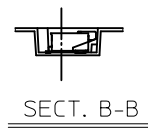
3. THIS PRODUCT IS HALOGEN FREE (LV.2)
4. PEELING OFF FORCE OF COVER TAPE : 10~60GF  
(PEELING DIRECTION AS SHOW IN FOLLOW FIG.)  
PEELING OFF SPEED : 300MM/MIN.(Ref.)



DIRECTION OF PULLING OUT



PLASTIC BOBBIN



SECT. B-B

57.5	39.08	52.4	56	104184-6817	68
44.5	30.08	40.4	44	104184-5017	50
D	C	B	A	ORDER No.	Ckt

REVISED EC NO: KOR2015-0076 DRWN:YRKIM 2014/12/17 CHKD:KSKIM 2014/12/17 APPR:YSKIM02 2015/03/09	QUALITY SYMBOLS	GENERAL TOLERANCES (UNLESS SPECIFIED)	DIMENSION STYLE	SCALE	DESIGN UNITS	THIRD ANGLE PROJECTION
	▼=0 ◻=0	mm INCH 4 PLACES ± --- ± --- 3 PLACES ± 0.005 ± --- 2 PLACES ± 0.05 ± --- 1 PLACE ± 0.1 ± --- ANGULAR ± 1 °	MM ONLY	20:1	METRIC	DRAWN BY: YRKIM DATE: 2014/10/01 CHECKED BY: KSKIM DATE: 2014/10/01 APPROVED BY: YSKIM02 DATE: 2014/10/02
		DRAFT WHERE APPLICABLE MUST REMAIN WITHIN DIMENSIONS	SEE SHEET 1	TITLE		0.5 FFC CONN EASY-ON R/A SMT HSG ASS'Y (H=2.0MM)
				DOCUMENT NO.		
			MATERIAL NO.		SD-104184-001	SHEET NO.
			SIZE		3 OF 3	
			THIS DRAWING CONTAINS INFORMATION THAT IS PROPRIETARY TO MOLEX INCORPORATED AND SHOULD NOT BE USED WITHOUT WRITTEN PERMISSION			

