



DEUTSCH | DEUTSCH DT

TE Internal #: 1011-256-0205

Automotive Connector Caps & Covers, Backshell, Cable Exit Angle 90°, Black, PA GF, 2 Position, -67 – 257 °F [-55 – 125 °C], DEUTSCH DT

[View on TE.com >](#)

Connectors > Automotive Connectors > Automotive Connector Accessories > Automotive Connector Caps & Covers > DEUTSCH DT Backshells



Protection & Strain Relief Accessory Type: **Backshell**

Cable Exit Angle: **90°**

Strain Relief: **With**

Primary Product Color: **Black**

Primary Product Material: **PA GF**

[All DEUTSCH DT Backshells \(47\)](#)

Features

Product Type Features

| | |
|---|-----------|
| Protection & Strain Relief Accessory Type | Backshell |
| Sealable | No |

Configuration Features

| | |
|---------------------|---|
| Number of Positions | 2 |
|---------------------|---|

Body Features

| | |
|--------------------------|-------|
| Cable Exit Angle | 90° |
| Primary Product Color | Black |
| Primary Product Material | PA GF |

Mechanical Attachment

| | |
|---------------|------|
| Strain Relief | With |
|---------------|------|

Dimensions

| | |
|--|----------------------------|
| Compatible Cable Bundle Diameter Range | 6 – 10 mm [.236 – .394 in] |
|--|----------------------------|



Usage Conditions

| | |
|---------------------------------|----------------------------|
| Compatible With Connector Style | Plug |
| Operating Temperature (Max) | 125 °C[257 °F] |
| Operating Temperature Range | -55 – 125 °C[-67 – 257 °F] |

Industry Standards

| | |
|------------------------|---------|
| Degree of Protection | IP6K9K |
| UL Flammability Rating | UL 94HB |

Packaging Features

| | |
|--------------------|------|
| Packaging Quantity | 1000 |
| Packaging Method | Box |

Other

| | |
|-------------|-----|
| Serviceable | Yes |
|-------------|-----|

Product Compliance

[For compliance documentation, visit the product page on TE.com>](#)

| | |
|---|---|
| EU RoHS Directive 2011/65/EU | Compliant |
| EU ELV Directive 2000/53/EC | Compliant |
| China RoHS 2 Directive MIIT Order No 32, 2016 | No Restricted Materials Above Threshold |
| EU REACH Regulation (EC) No. 1907/2006 | Current ECHA Candidate List: JAN 2023 (233) Candidate List Declared Against: JAN 2023 (233) Does not contain REACH SVHC |
| Halogen Content | Low Halogen - Br, Cl, F, I < 900 ppm per homogenous material. Also BFR/CFR/PVC Free |
| Solder Process Capability | Not reviewed for solder process capability |

Product Compliance Disclaimer

This information is provided based on reasonable inquiry of our suppliers and represents our current actual knowledge based on the information they provided. This information is subject to change. The part numbers that TE has identified as EU RoHS compliant have a maximum concentration of 0.1% by weight in homogenous materials for lead, hexavalent chromium, mercury, PBB, PBDE, DBP, BBP, DEHP, DIBP, and 0.01% for cadmium, or qualify for an exemption to these limits as defined in the Annexes of Directive 2011/65/EU (RoHS2). Finished electrical and electronic equipment products will be CE marked as required by Directive 2011/65/EU. Components may not be CE marked. Additionally, the part numbers that TE has identified as EU ELV compliant have a maximum concentration of 0.1% by weight in homogenous materials for lead, hexavalent chromium, and mercury, and 0.01% for cadmium, or qualify for an exemption to these limits as defined in the Annexes of Directive 2000/53/EC (ELV). Regarding the REACH Regulation, the information TE provides on SVHC in articles for this part number is based on the latest European Chemicals Agency (ECHA) 'Guidance on requirements for substances in articles' posted at this URL: <https://echa.europa.eu/guidance-documents/guidance-on-reach>

Compatible Parts



TE Part # CAT-J41-DDPC
DEUTSCH DT Plug Connectors



TE Part # DT06-2S-C015
PLG, 2P, GRY, E



TE Part # DT06-2S-LC01
PLG, 2P, BLK, E, SL RT, DIN BKSHL ADPT



TE Part # CAT-D487-CH8172
DEUTSCH DT Series Housings & Connectors


Also in the Series | DEUTSCH DT




Automotive Connector Caps & Covers (107)




Automotive Connector Locks & Position Assurance(74)




Automotive Housings(618)



Automotive Seals & Cavity Plugs(5)



Insertion & Extraction Tools(3)



Other Automotive Connector Accessories(16)



PCB Headers & Receptacles(102)

Customers Also Bought



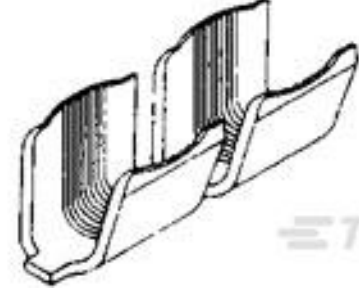
TE Part #1011-273-0205
DEUTSCH DT Backshells



TE Part #5-1879075-5
THS25 10K 5%



TE Part #T1310160125-000
H16B-TS-RO-M25



TE Part #41899
SPL AMVAR 1500-5000 020TPBR



Documents

CAD Files

[3D PDF](#)

3D

Customer View Model

[ENG_CVM_CVM_1011-256-0205_99_c-1011-256-0205-99.2d_dxf.zip](#)

English

Customer View Model

[ENG_CVM_CVM_1011-256-0205_99_c-1011-256-0205-99.3d_igs.zip](#)

English

Customer View Model

[ENG_CVM_CVM_1011-256-0205_99_c-1011-256-0205-99.3d_stp.zip](#)

English

By downloading the CAD file I accept and agree to the [Terms and Conditions](#) of use.

Datasheets & Catalog Pages

[ICT Terminals and Connectors Catalogue](#)

English

[CONNECTOR SELECTOR](#)

English

Product Specifications

[Application Specification](#)

English