

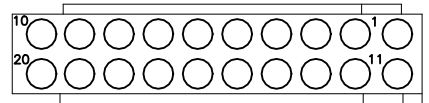
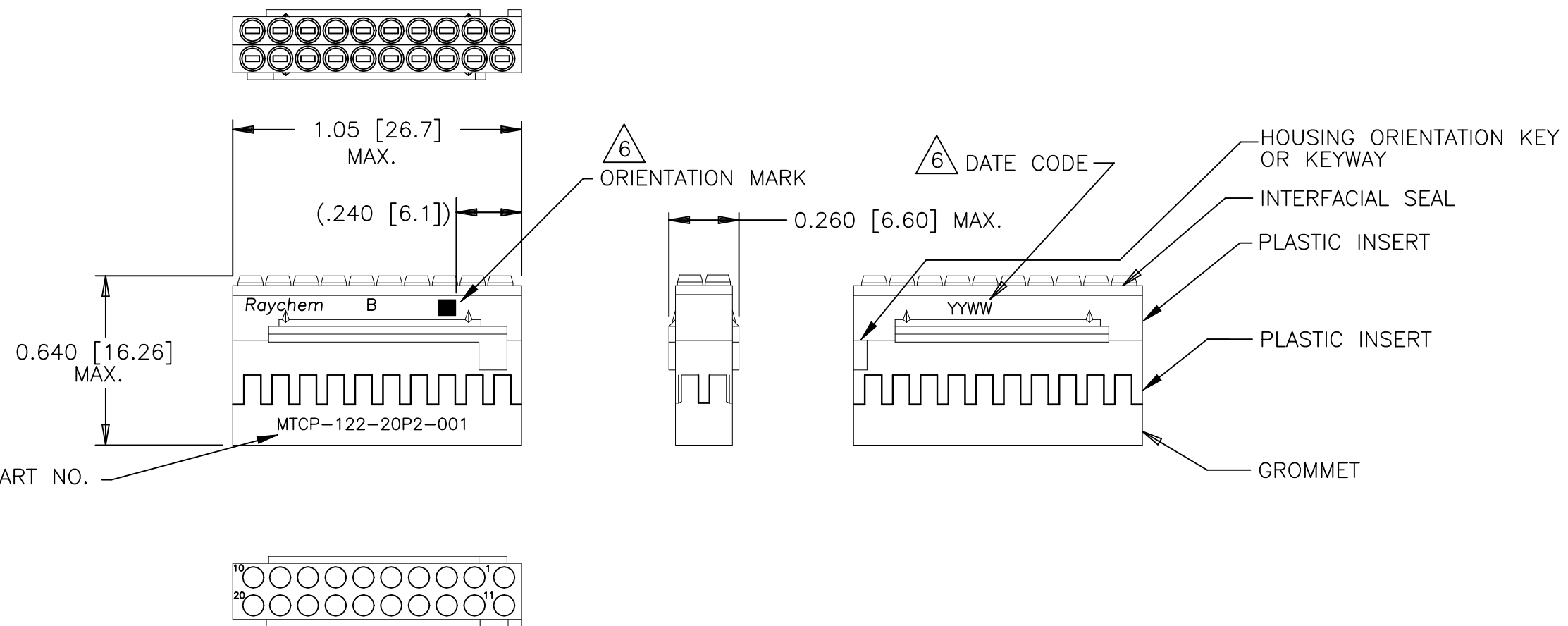
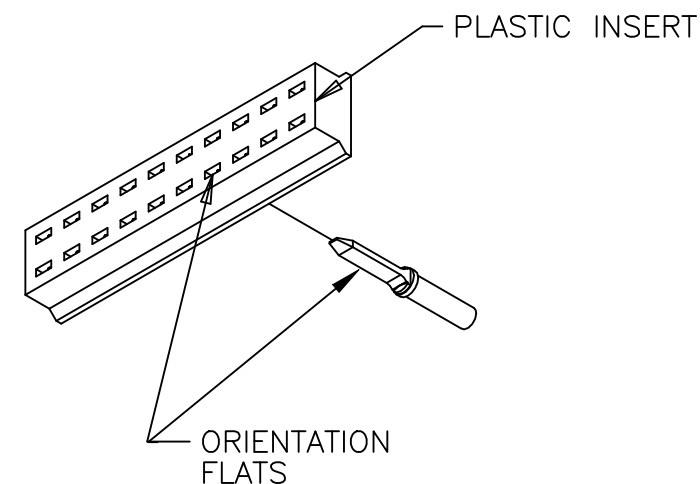
REVISIONS				
P	LTR	DESCRIPTION	DATE	APVD
	C	REVISED PER ECN-22-142121	08APR2022	LN JM

NOTES:

- THIS INSERT IS DESIGNED FOR USE IN TYCO/RAYCHEM CONNECTOR HOUSINGS MTC100-JH2-XXX (SEE TYCO/RAYCHEM INFORMATION DRAWING D-659-0097 AND HOUSING SPECIFICATION CONTROL DRAWINGS FOR FURTHER DETAILS).
- PART DESCRIBED HEREON IS SUPPLIED AS SHOWN. REFER TO TYCO/RAYCHEM INFORMATION DRAWING D-659-0097 FOR CRIMP TOOLS OR ADDITIONAL CONTACTS, SEALING PLUGS OR TOOLS.
- GROMMET DESIGNED TO SEAL ON WIRES HAVING AN INSULATION DIAMETER OF 0.030 TO 0.065.
- PERFORMANCE:
THIS PRODUCT IS DESIGNED TO MEET THE APPLICABLE REQUIREMENTS OF RAYCHEM SPECIFICATION C-6115.
- MATERIALS:

A) PLASTIC INSERT	HIGH GRADE POLYARYLENE THERMOPLASTIC
B) GROMMET	FLUOROSILICONE PER MIL-R-25988
C) INTERFACIAL SEAL	FLUOROSILICONE PER MIL-R-25988
D) RETENTION CLIPS (20) (INSIDE PLASTIC INSERT)	BERYLLIUM COPPER 172 PER QQ-C-533 OR 301 STAINLESS STEEL PER TEC-100-309 SPECIAL TEMPER

△ PART NUMBER, RAYCHEM, B, DATE CODE AND ORIENTATION MARK ARE STAMPED APPROXIMATELY AS SHOWN.



THIS DRAWING IS A CONTROLLED DOCUMENT.		DWN DZ.ORBAN	26SEP2003	TE Connectivity	
DIMENSIONS: INCHES		CHK -	-		
TOLERANCES UNLESS OTHERWISE SPECIFIED:		APVD M.HIGGY	26SEP2003	NAME INSERT,PIN,SECONDARY,20CAVITY,SIZE20-22 REMOVABLE CONTACT,2-IN CONN MTC100SERIES	
		PRODUCT SPEC -	-	SIZE	CAGE CODE
MATERIAL		APPLICATION SPEC -	-	DRAWING NO	RESTRICTED TO
FINISH		WEIGHT	0.0045 lbs	A3	00779
-		CUSTOMER DRAWING		C-MTCP-122-20P2-001	
		SCALE	1:1	SHEET	1 OF 1
				REV	C