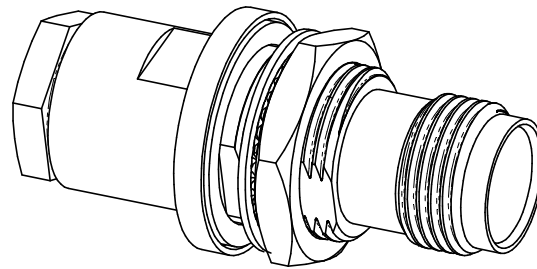
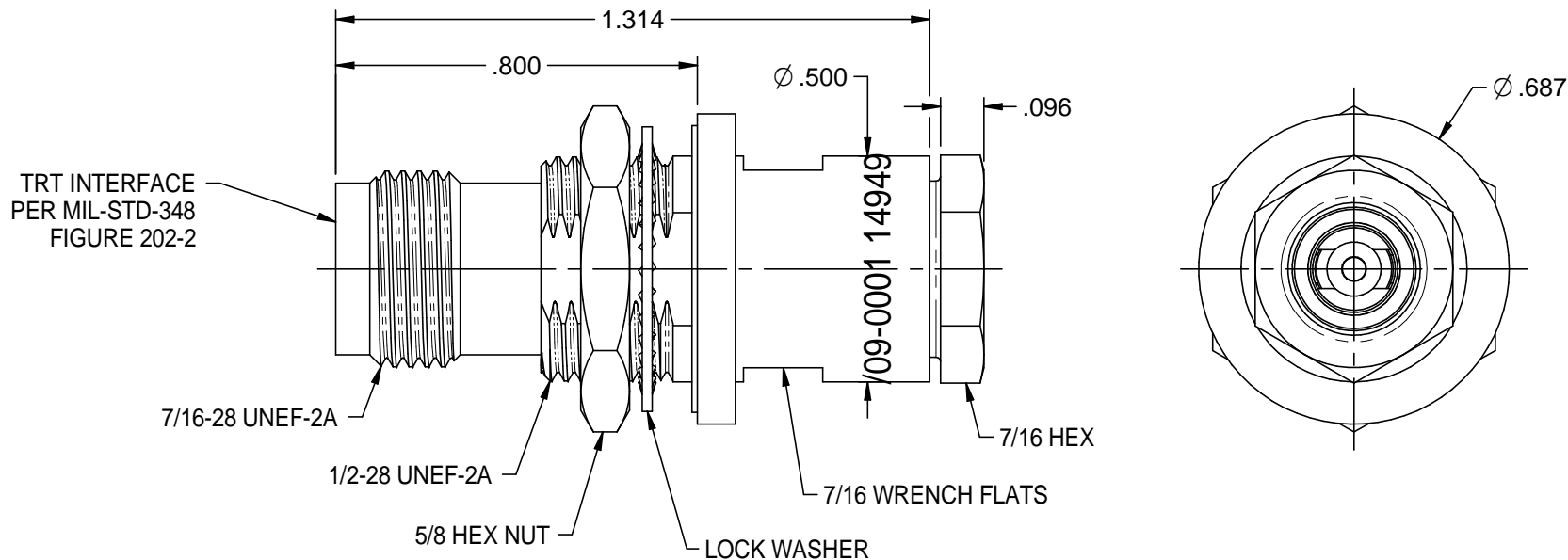


TABLE 1

MILITARY PART NO.	MILITARY CABLE NO.	TROMPETER MODEL NO.	ASSEMBLE PER	NSN
M49142/09-0001	M17/134-00001 M17/134-00003	3-0333-7	TAI-189	5935015224954
M49142/09-0002	M17/134-00002 M17/134-00004	3-0333-7	TAI-189	5935015966169
M49142/09-0006	M17/176-00002	3-0333-47	TAI-102	5935013941450
M49142/09-0007	M17/176-RG307	3-0333-41A	TAI-250	-
M49142/09-0009	M17/177-00001	3-0333-60	TAI-189	-
M49142/09-0012	M24643/33-01UN	3-0333-9A	TAI-184	-



REV	ECO	DATE
Q	52766	11/23/2010
R	55160	9/2/2014



NOTES: UNLESS OTHERWISE SPECIFIED.

1. MATERIAL & FINISH:

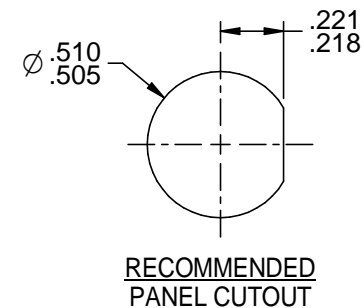
- 1.1 BODY, CONE, CLAMP NUT & INSERT: SILVER PLATED BRASS
- 1.2 INSULATOR: PTFE (TEFLON)
- 1.3 INTERMEDIATE CONTACT: GOLD PLATED BRASS
- 1.4 DIELECTRIC: PTFE (TEFLON)
- 1.5 CENTER CONTACT: GOLD PLATED BERYLLIUM COPPER
- 1.6 GASKET: SILICONE RUBBER
- 1.7 MOUNTING HARDWARE: SILVER PLATED BRASS ALLOY

2. ELECTRICAL:

- 2.1 FREQUENCY (MAX): 500 MHz
- 2.2 IMPEDANCE: NON-CONSTANT

3. PANEL THICKNESS (MAX): .160

4. PANEL NUT TORQUE (MAX): 35 IN LBS



<p>This PROPRIETARY Document is property of Emerson Network Power Connectivity Solutions. It is confidential in nature, non-transferable, and issued with the clear understanding that it is not traced or copied without permission and is returnable upon demand.</p> <p>INTERPRET DRAWING IN ACCORDANCE WITH ASME Y14.5-2009.</p>	Model No.	3-0333-XXX	<p><b>TROMPETER</b></p> <p>Title: M49142/09 WRENCH CRIMP TRT BULKHEAD JACK</p>					
	RoHS2	2011/65/EU			Cage Code	14949		
	UNLESS OTHERWISE SPECIFIED UNITS: INCH	3RD ANGLE PROJECTION	Drawn by:	C. WALLACE	Drawing No.	C_3-0333	Rev.	R
	ANGLES ±2°	Date:	9/4/2014	Size	A	DO NOT SCALE DRAWING	Workmanship Std:	TFS-4