

Material and Finish

Shell: steel, nickel plated
Insulator: PBT with glass-fiber reinforcement, UL 94V-0 rated, color-black

Contact Material:

Plug: Brass

Contact Plating:

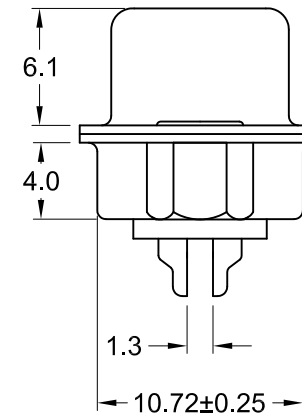
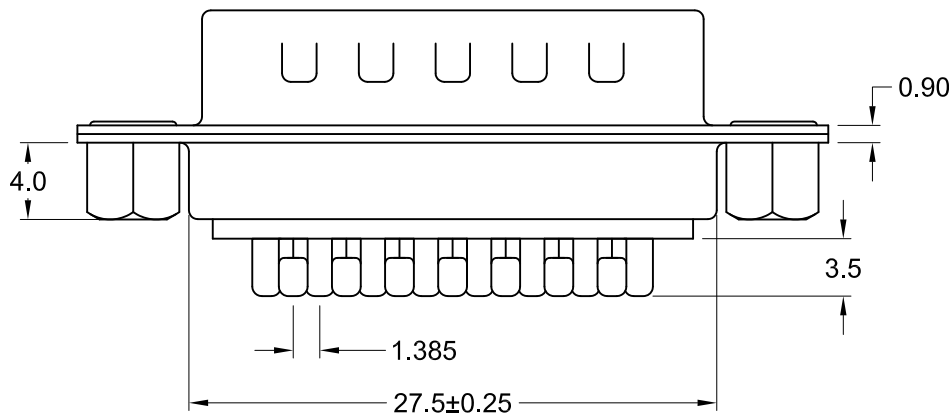
Standard:
Gold flash on mating end, tin on termination end, with entire contact nickel underplated

-15 Option:
15u" gold on mating end, tin on termination end, with entire contact nickel underplated

-30 Option:
30u" gold on mating end, tin on termination end, with entire contact nickel underplated

Electrical Specifications

Rated Current: 2A
Rated Voltage: 30V RMS
Withstanding Voltage:
500V (rms) AC for 1 minute
Insulation Resistance:
more than 1000 Megohm at 500V DC
Contact Resistance:
13 milliohm max.
Dielectric Strength:
1000V for 1 minute
Operating Temperature:
-55°C to +105°C



Part Number	Contact Area Plating Finish
K85X-AA-15P-K	Gold Flash (standard)
K85X-AA-15P-K15	15u" Gold (15 option)
K85X-AA-15P-K30	30u" Gold (30 option)

RoHS COMPLIANT



Tolerances
X.X ± 0.25
X.XX ± 0.15
Unless Stated Otherwise

REV.	DATE	DESCRIPTION	REV. BY	CHK. BY	DRAWN BY	DATE
A1	3/9/06	New Drawing	R. Aguirre	H. MA	R. Aguirre	10/10/05
A2	1/8/08	ECO # 07-052	WILL H.	H. MA		
A3	12/31/17	ECO #17-030	J. Elbanna	C. Furumasu		

K85X-AA-15P-K

Vertical Soldercup Mount D-Sub, RoHS Compliant

15 Pin Male, #4-40 UNC Bushing

