



### Main

|                           |                      |
|---------------------------|----------------------|
| Range of Product          | Harmony SCU          |
| Product or Component Type | Remote control cable |

### Complementary

|              |                |
|--------------|----------------|
| Cable length | 16.40 ft (5 m) |
|--------------|----------------|

### Ordering and shipping details

|                       |                                    |
|-----------------------|------------------------------------|
| Category              | 22569 - MAGELIS XBT-GT (AND XBT-G) |
| Discount Schedule     | MC2                                |
| GTIN                  | 3606480564673                      |
| Nbr. of units in pkg. | 1                                  |
| Package weight(Lbs)   | 30.69 oz (870 g)                   |
| Returnability         | No                                 |
| Country of origin     | CN                                 |

### Packing Units

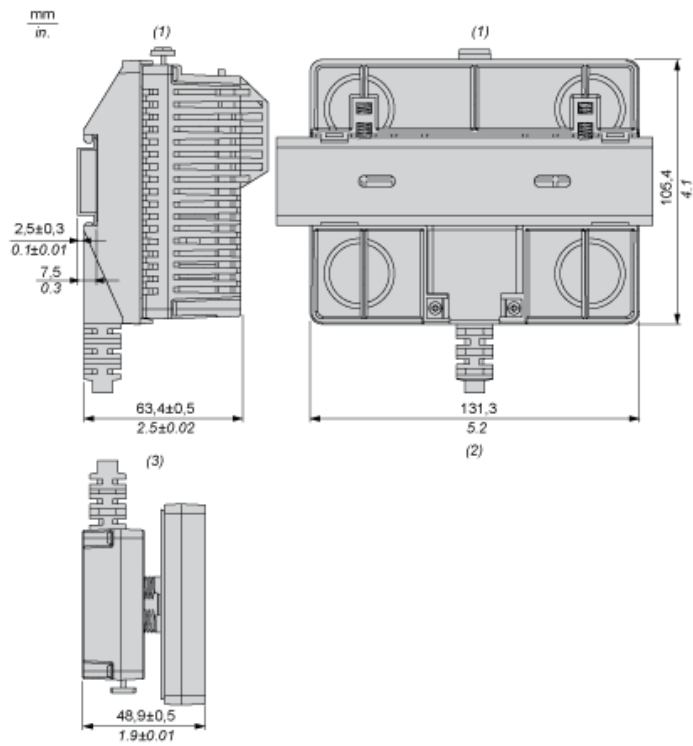
|                              |                         |
|------------------------------|-------------------------|
| Unit Type of Package 1       | PCE                     |
| Package 1 Height             | 2.83 in (7.2 cm)        |
| Package 1 width              | 7.24 in (18.4 cm)       |
| Package 1 Length             | 10.51 in (26.7 cm)      |
| Unit Type of Package 2       | S03                     |
| Number of Units in Package 2 | 6                       |
| Package 2 Weight             | 11.95 lb(US) (5.42 kg)  |
| Package 2 Height             | 11.81 in (30 cm)        |
| Package 2 width              | 11.81 in (30 cm)        |
| Package 2 Length             | 15.75 in (40 cm)        |
| Unit Type of Package 3       | PAL                     |
| Number of Units in Package 3 | 48                      |
| Package 3 Weight             | 95.59 lb(US) (43.36 kg) |
| Package 3 Height             | 27.56 in (70 cm)        |
| Package 3 width              | 23.62 in (60 cm)        |
| Package 3 Length             | 31.50 in (80 cm)        |

The information provided in this documentation contains general descriptions and/or technical characteristics of the performance of the products contained herein. This documentation is not intended as a substitute for and is not to be used for determining suitability or reliability of these products for specific user applications. It is the duty of any such user or integrator to perform the appropriate and complete risk analysis, evaluation and testing of the products with respect to the relevant specific application or use thereof. Neither Schneider Electric Industries SAS nor any of its affiliates or subsidiaries shall be responsible or liable for misuse of the information contained herein.

## Offer Sustainability

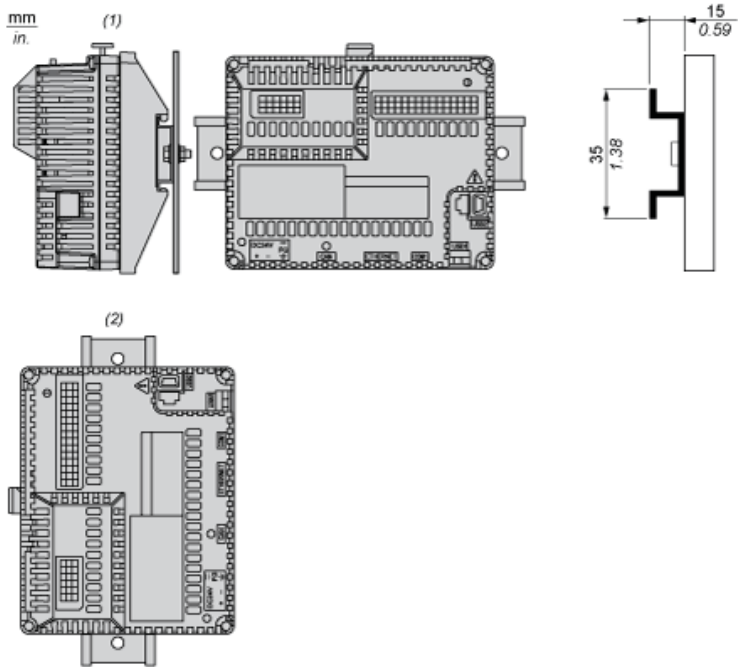
|                            |   |
|----------------------------|---|
| California proposition 65  | WARNING: This product can expose you to chemicals including: Lead and lead compounds, which is known to the State of California to cause cancer and birth defects or other reproductive harm. For more information go to <a href="http://www.P65Warnings.ca.gov">www.P65Warnings.ca.gov</a> |
| REACH Regulation           | <a href="#">REACH Declaration</a>   |
| REACH free of SVHC         | Yes   |
| EU RoHS Directive          | Pro-active compliance (Product out of EU RoHS legal scope) <a href="#">EU RoHS Declaration</a>  |
| Toxic heavy metal free     | Yes   |
| Mercury free               | Yes   |
| RoHS exemption information | <a href="#">Yes</a>   |
| China RoHS Regulation      | <a href="#">China RoHS Declaration</a>  |
| WEEE                       | The product must be disposed on European Union markets following specific waste collection and never end up in rubbish bins.  |

## Dimensions



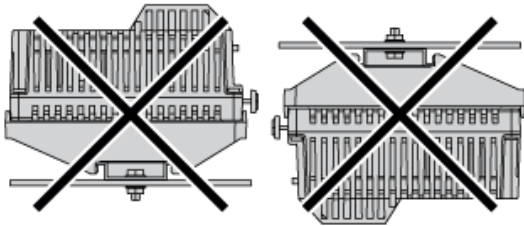
- (1) Rear module
- (2) Rear module remote cable
- (3) Panel remote cable

## Recommended Mounting position

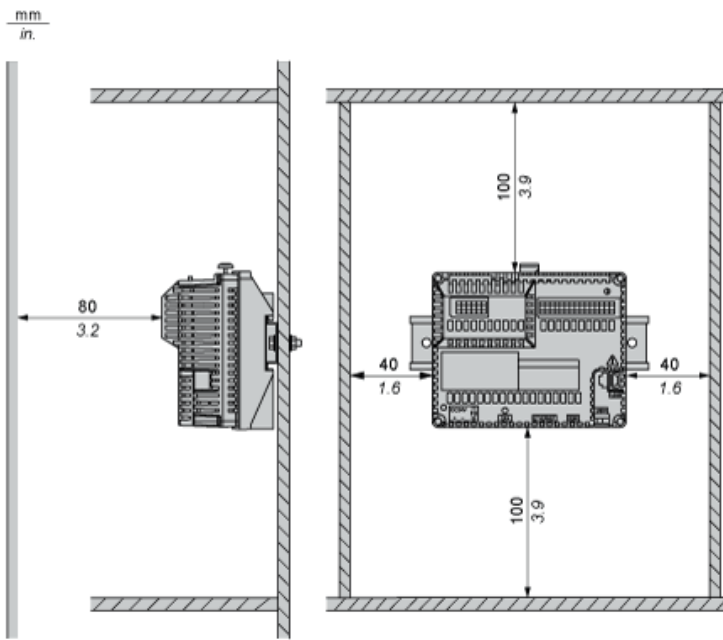


- (1) Horizontal mounting
- (2) Vertical mounting

## No Recommended Mounting Position



## Clearance



Keep adequate spacing for proper ventilation to maintain an ambient temperature between 0...50 °C (32...122 °F) for horizontal installation and 0...40 °C (32...104 °F) for vertical installation.