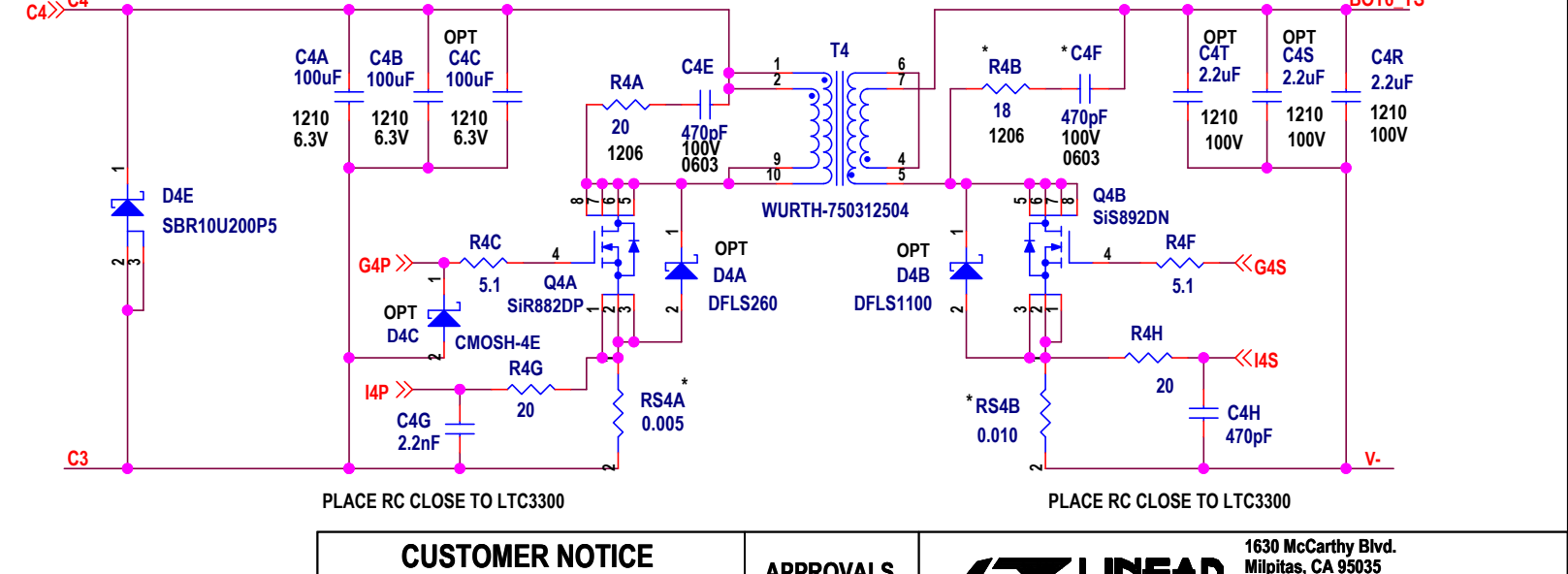
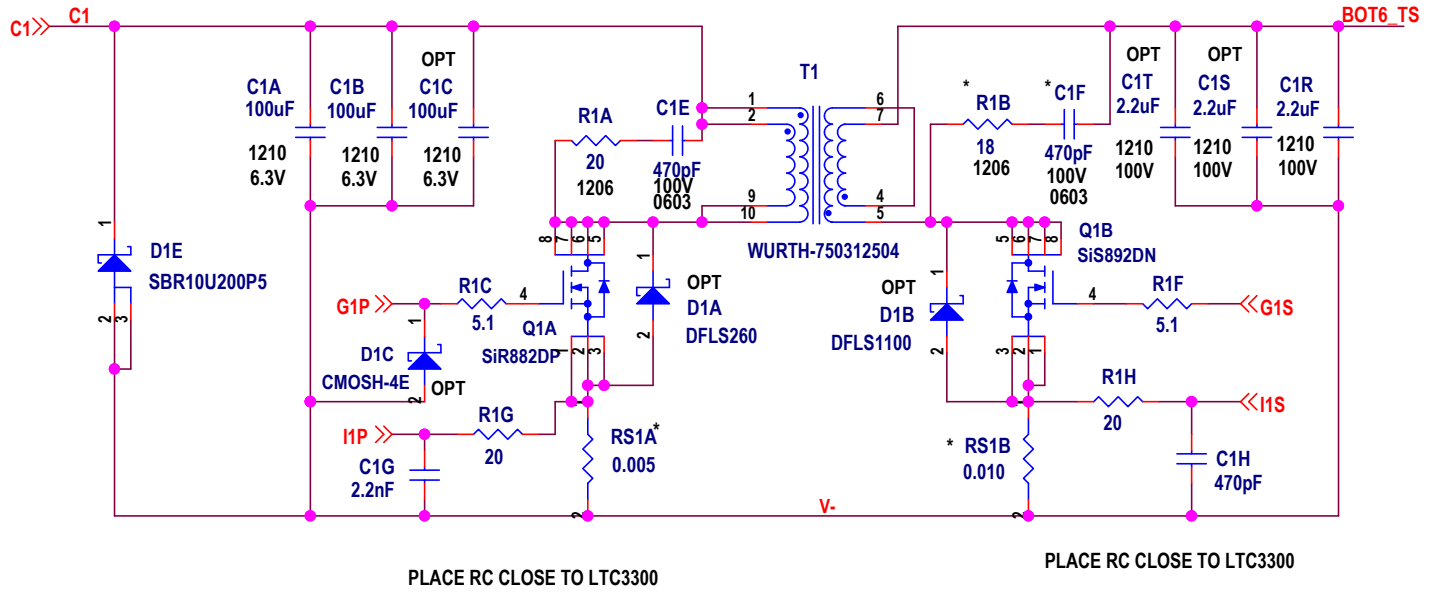
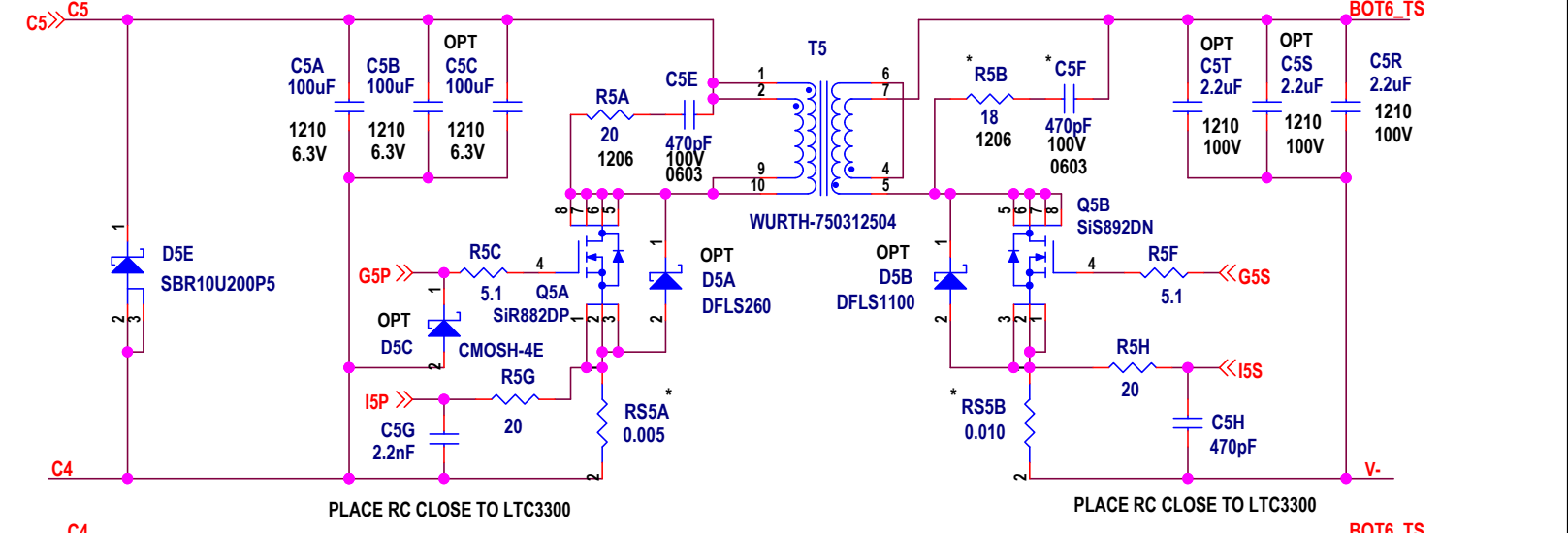
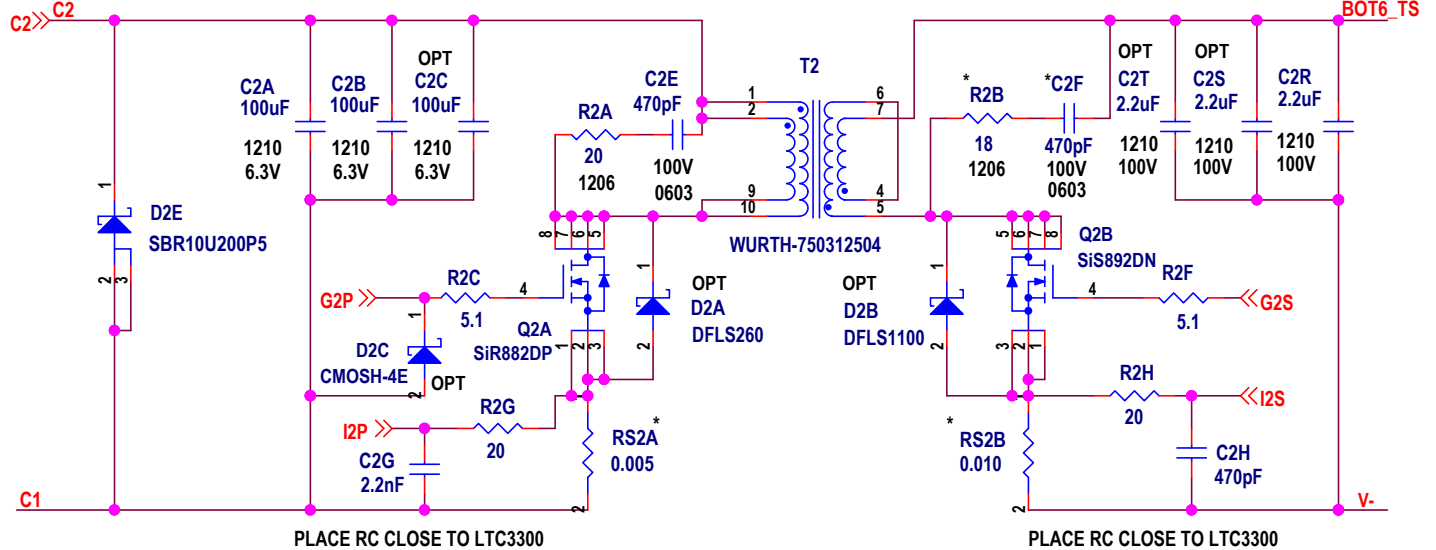
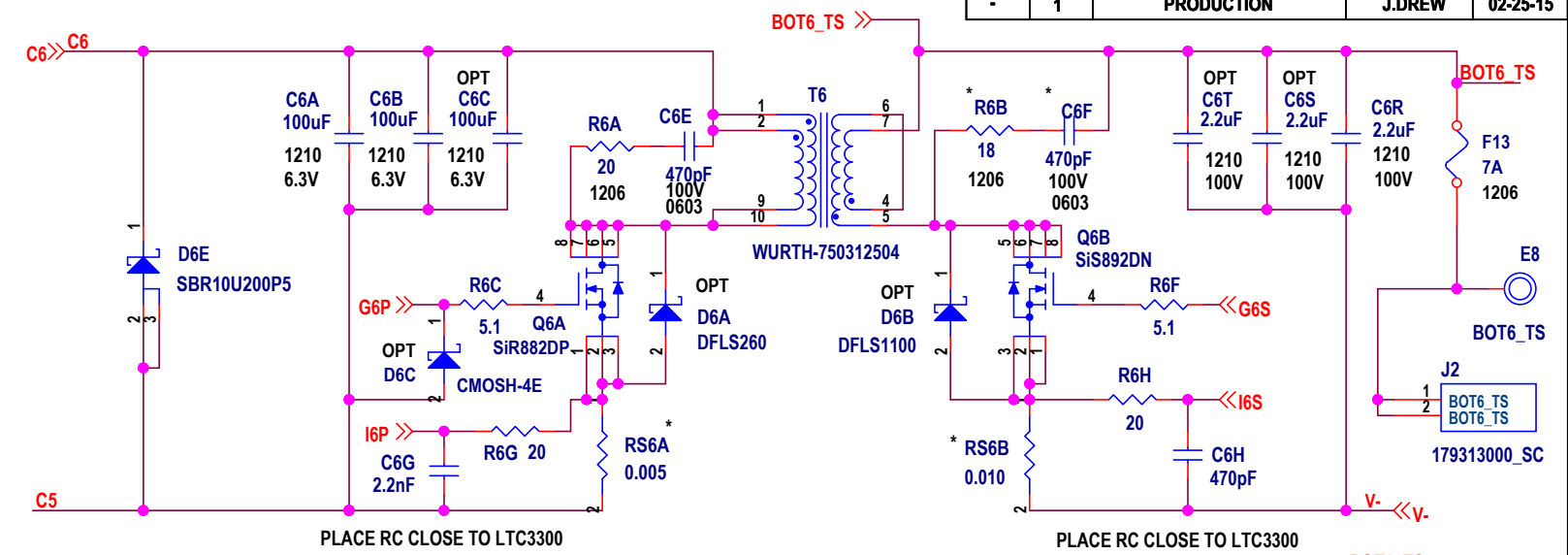
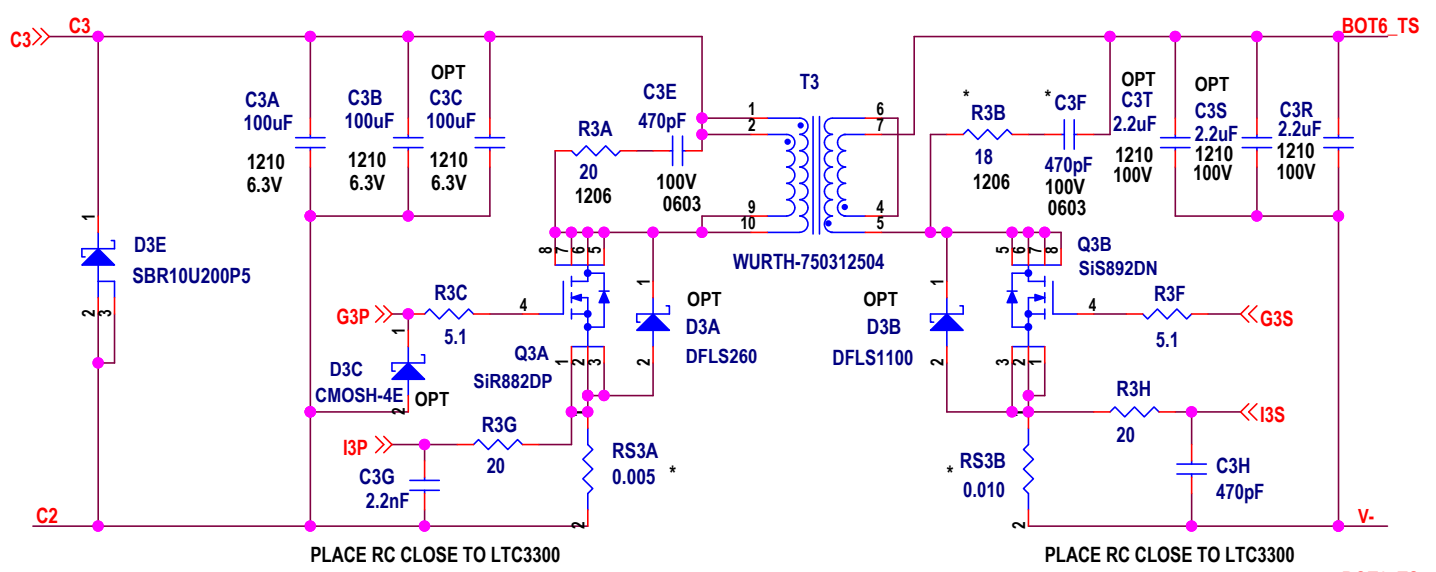


REVISION HISTORY				
ECO	REV	DESCRIPTION	APPROVED	DATE
-	1	PRODUCTION	J.DREW	02-25-15



*	RS1A-RS12A	RS1B-RS12B	R1B-R12B	C1F-C12F
DC2100B - A / B	0.008	0.016	NP	NP
DC2100B - C / D	0.005	0.010	18	470pF

CUSTOMER NOTICE
 LINEAR TECHNOLOGY HAS MADE A BEST EFFORT TO DESIGN A CIRCUIT THAT MEETS CUSTOMER-SUPPLIED SPECIFICATIONS; HOWEVER, IT REMAINS THE CUSTOMER'S RESPONSIBILITY TO VERIFY PROPER AND RELIABLE OPERATION IN THE ACTUAL APPLICATION. COMPONENT SUBSTITUTION AND PRINTED CIRCUIT BOARD LAYOUT MAY SIGNIFICANTLY AFFECT CIRCUIT PERFORMANCE OR RELIABILITY. CONTACT LINEAR TECHNOLOGY APPLICATIONS ENGINEERING FOR ASSISTANCE.

THIS CIRCUIT IS PROPRIETARY TO LINEAR TECHNOLOGY AND SUPPLIED FOR USE WITH LINEAR TECHNOLOGY PARTS.

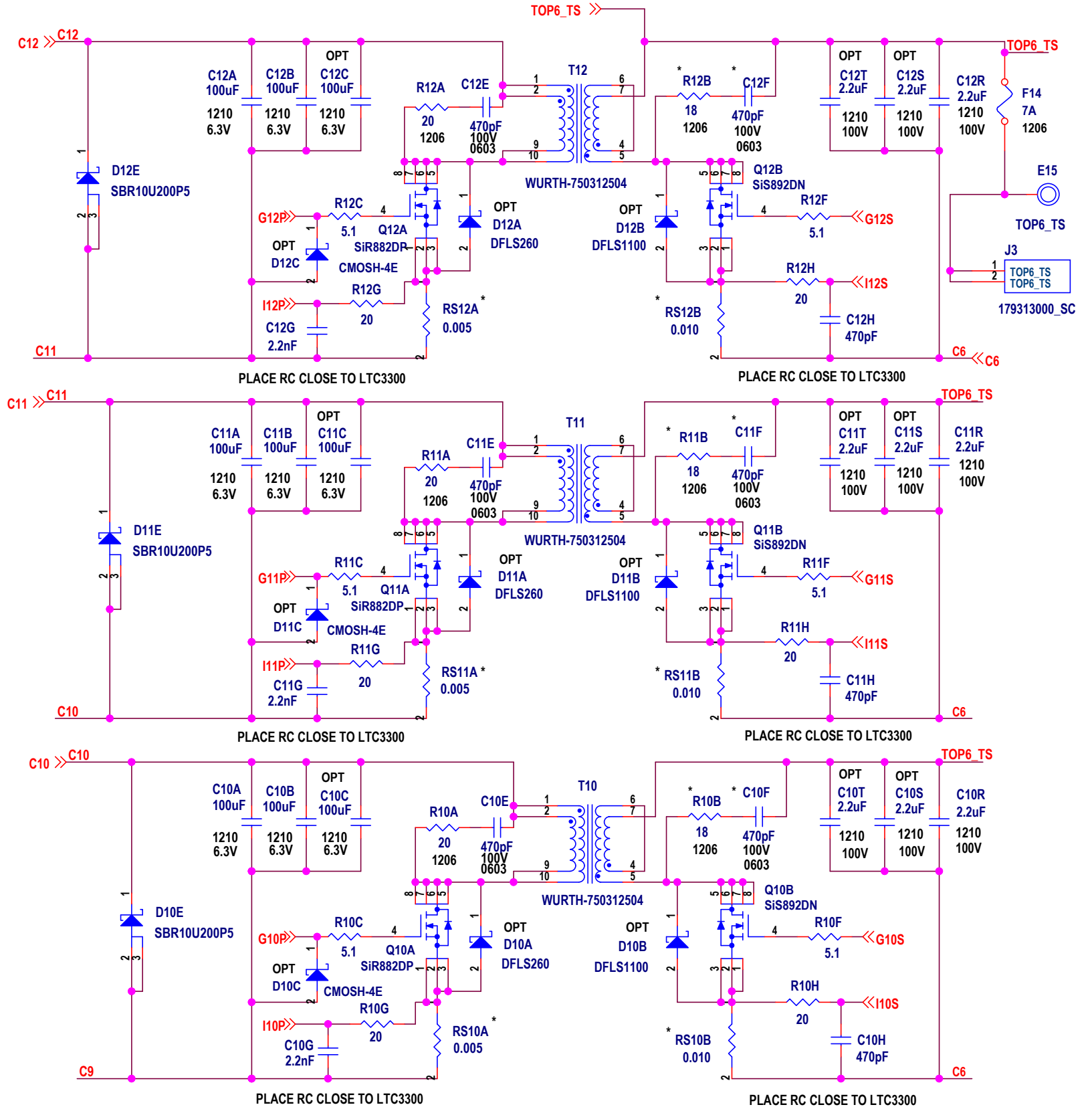
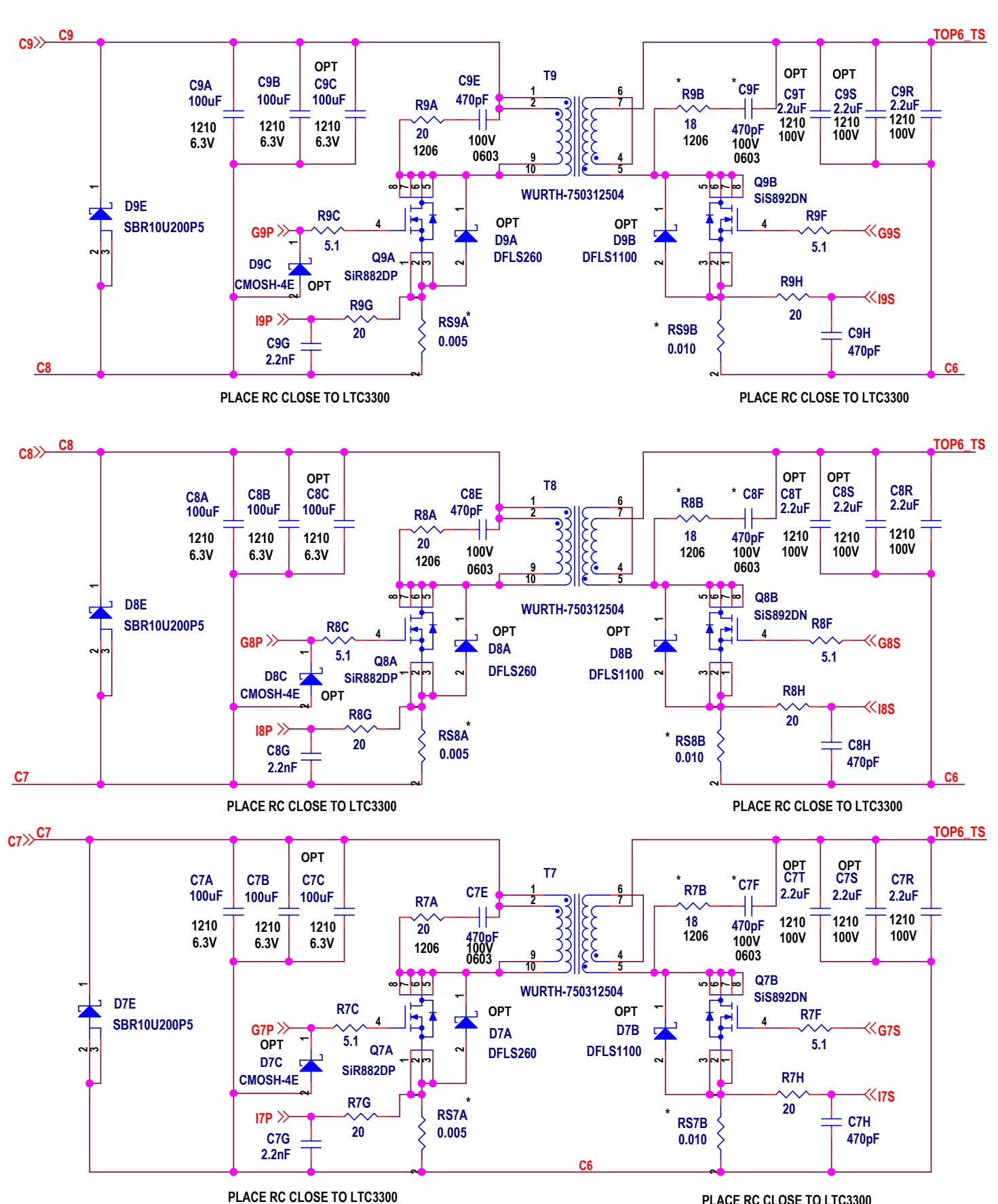
APPROVALS	
PCB DES.	NC
APP ENG.	J. DREW
SCALE = NONE	

1630 McCarthy Blvd.
 Milpitas, CA 95035
 Phone: (408)432-1900 www.linear.com
 Fax: (408)434-0507
 LTC Confidential-For Customer Use Only

LINEAR TECHNOLOGY

TITLE: SCHEMATIC **HIGH EFFICIENCY BIDIRECTIONAL MULTICELL BATTERY BALANCER**

SIZE	IC NO.	REV.
N/A	LTC3300ILXE-1 / LTC6804IG-2	1
DATE: 02 - 25 - 15		SHEET 1 OF 6



*	RS1A-RS12A	RS1B-RS12B	R1B-R12B	C1F-C12F
DC2100B - A / B	0.008	0.016	NP	NP
DC2100B - C / D	0.005	0.010	18	470pF

CUSTOMER NOTICE
 LINEAR TECHNOLOGY HAS MADE A BEST EFFORT TO DESIGN A CIRCUIT THAT MEETS CUSTOMER-SUPPLIED SPECIFICATIONS; HOWEVER, IT REMAINS THE CUSTOMER'S RESPONSIBILITY TO VERIFY PROPER AND RELIABLE OPERATION IN THE ACTUAL APPLICATION. COMPONENT SUBSTITUTION AND PRINTED CIRCUIT BOARD LAYOUT MAY SIGNIFICANTLY AFFECT CIRCUIT PERFORMANCE OR RELIABILITY. CONTACT LINEAR TECHNOLOGY APPLICATIONS ENGINEERING FOR ASSISTANCE.

THIS CIRCUIT IS PROPRIETARY TO LINEAR TECHNOLOGY AND SUPPLIED FOR USE WITH LINEAR TECHNOLOGY PARTS.

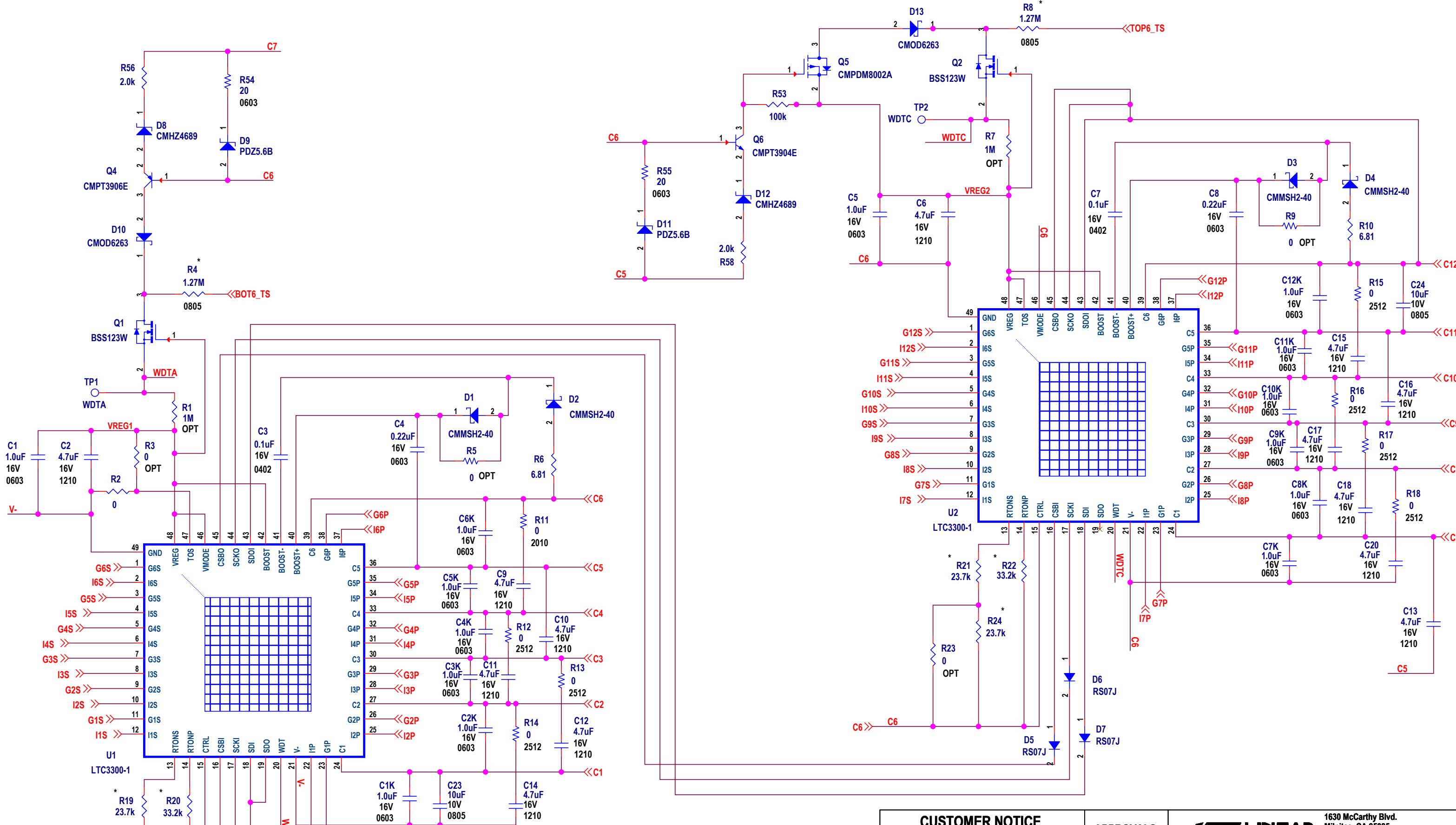
APPROVALS	
PCB DES.	NC
APP ENG.	J. DREW
SCALE = NONE	

1630 McCarthy Blvd.
 Milpitas, CA 95035
 Phone: (408)432-1900 www.linear.com
 Fax: (408)434-0507
 LTC Confidential-For Customer Use Only

LINEAR TECHNOLOGY

TITLE: SCHEMATIC
HIGH EFFICIENCY BIDIRECTIONAL MULTICELL BATTERY BALANCER

SIZE	IC NO.	REV.
N/A	LTC3300ILXE-1 / LTC6804IG-2	1
DATE: 02 - 25 - 15		SHEET 2 OF 6



*	R19	R20	R21	R22	R24	R4	R8
DC2100B - A / B	15.4k	20.5k	15.4k	20.5k	15.4k	845k	845k
DC2100B - C / D	23.7k	33.2k	23.7k	33.2k	23.7k	1.27M	1.27M

CUSTOMER NOTICE
 LINEAR TECHNOLOGY HAS MADE A BEST EFFORT TO DESIGN A CIRCUIT THAT MEETS CUSTOMER-SUPPLIED SPECIFICATIONS; HOWEVER, IT REMAINS THE CUSTOMER'S RESPONSIBILITY TO VERIFY PROPER AND RELIABLE OPERATION IN THE ACTUAL APPLICATION. COMPONENT SUBSTITUTION AND PRINTED CIRCUIT BOARD LAYOUT MAY SIGNIFICANTLY AFFECT CIRCUIT PERFORMANCE OR RELIABILITY. CONTACT LINEAR TECHNOLOGY APPLICATIONS ENGINEERING FOR ASSISTANCE.

THIS CIRCUIT IS PROPRIETARY TO LINEAR TECHNOLOGY AND SUPPLIED FOR USE WITH LINEAR TECHNOLOGY PARTS.

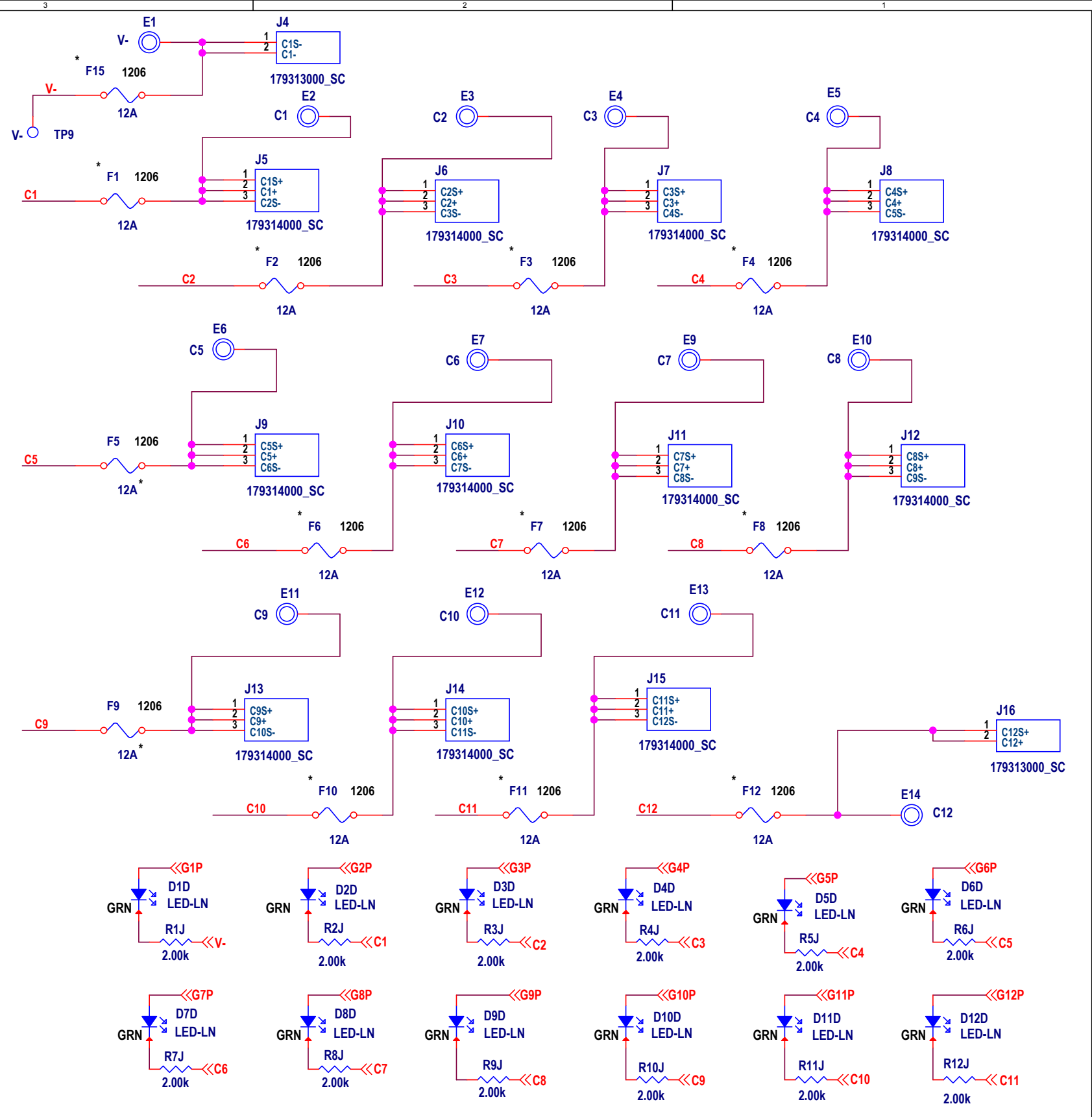
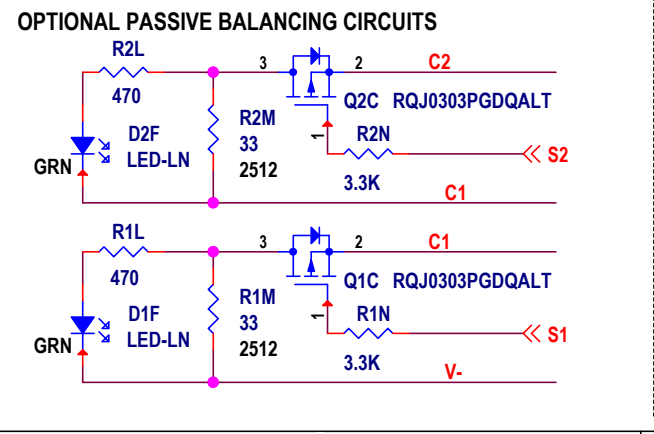
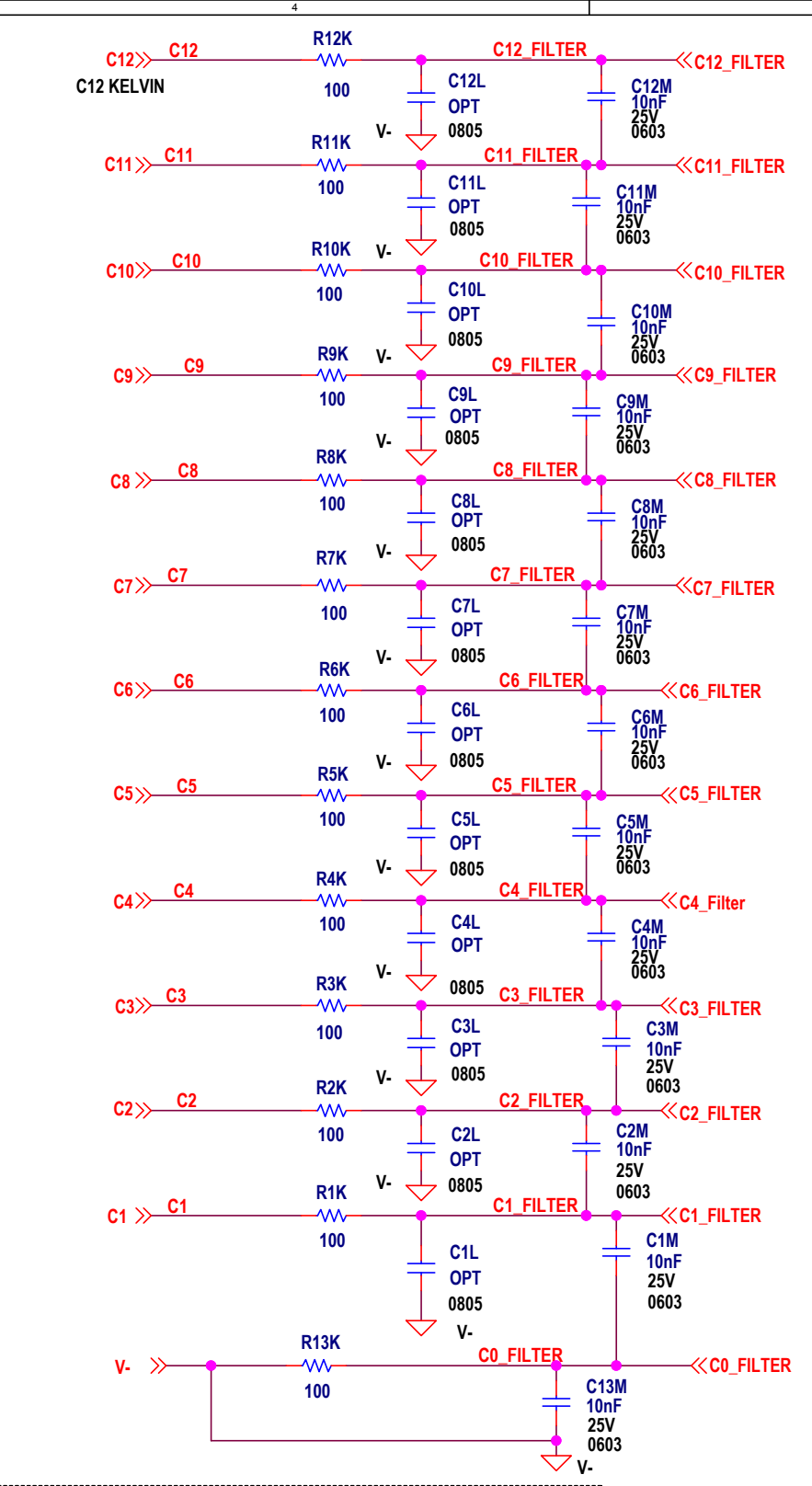
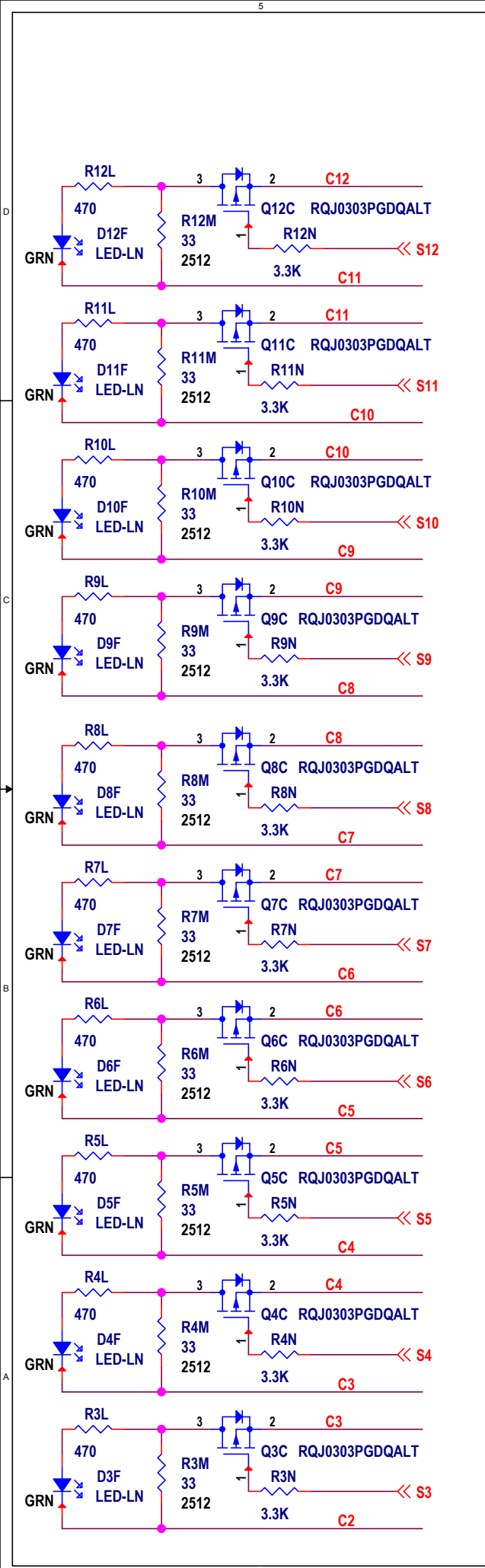
APPROVALS	
PCB DES.	NC
APP ENG.	J. DREW
SCALE	NONE

LINEAR TECHNOLOGY
 1630 McCarthy Blvd.
 Milpitas, CA 95035
 Phone: (408)432-1900 www.linear.com
 Fax: (408)434-0507
 LTC Confidential-For Customer Use Only

TITLE: SCHEMATIC
HIGH EFFICIENCY BIDIRECTIONAL MULTICELL BATTERY BALANCER

SIZE	IC NO.	REV.
N/A	LTC3300ILXE-1 / LTC6804IG-2	1

DATE: 02 - 25 - 15
 SHEET 3 OF 6



*	F1 - F12, F15
DC2100B - A / B	7A
DC2100B - C / D	12A

CUSTOMER NOTICE

LINEAR TECHNOLOGY HAS MADE A BEST EFFORT TO DESIGN A CIRCUIT THAT MEETS CUSTOMER-SUPPLIED SPECIFICATIONS; HOWEVER, IT REMAINS THE CUSTOMER'S RESPONSIBILITY TO VERIFY PROPER AND RELIABLE OPERATION IN THE ACTUAL APPLICATION. COMPONENT SUBSTITUTION AND PRINTED CIRCUIT BOARD LAYOUT MAY SIGNIFICANTLY AFFECT CIRCUIT PERFORMANCE OR RELIABILITY. CONTACT LINEAR TECHNOLOGY APPLICATIONS ENGINEERING FOR ASSISTANCE.

THIS CIRCUIT IS PROPRIETARY TO LINEAR TECHNOLOGY AND SUPPLIED FOR USE WITH LINEAR TECHNOLOGY PARTS.

APPROVALS

PCB DES.	NC
APP ENG.	J. DREW

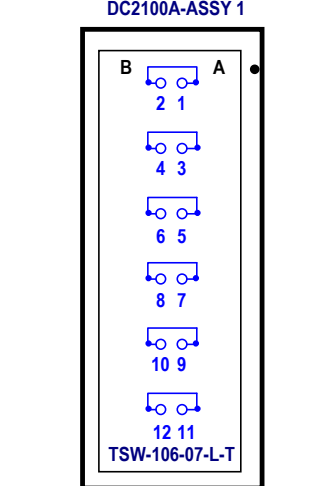
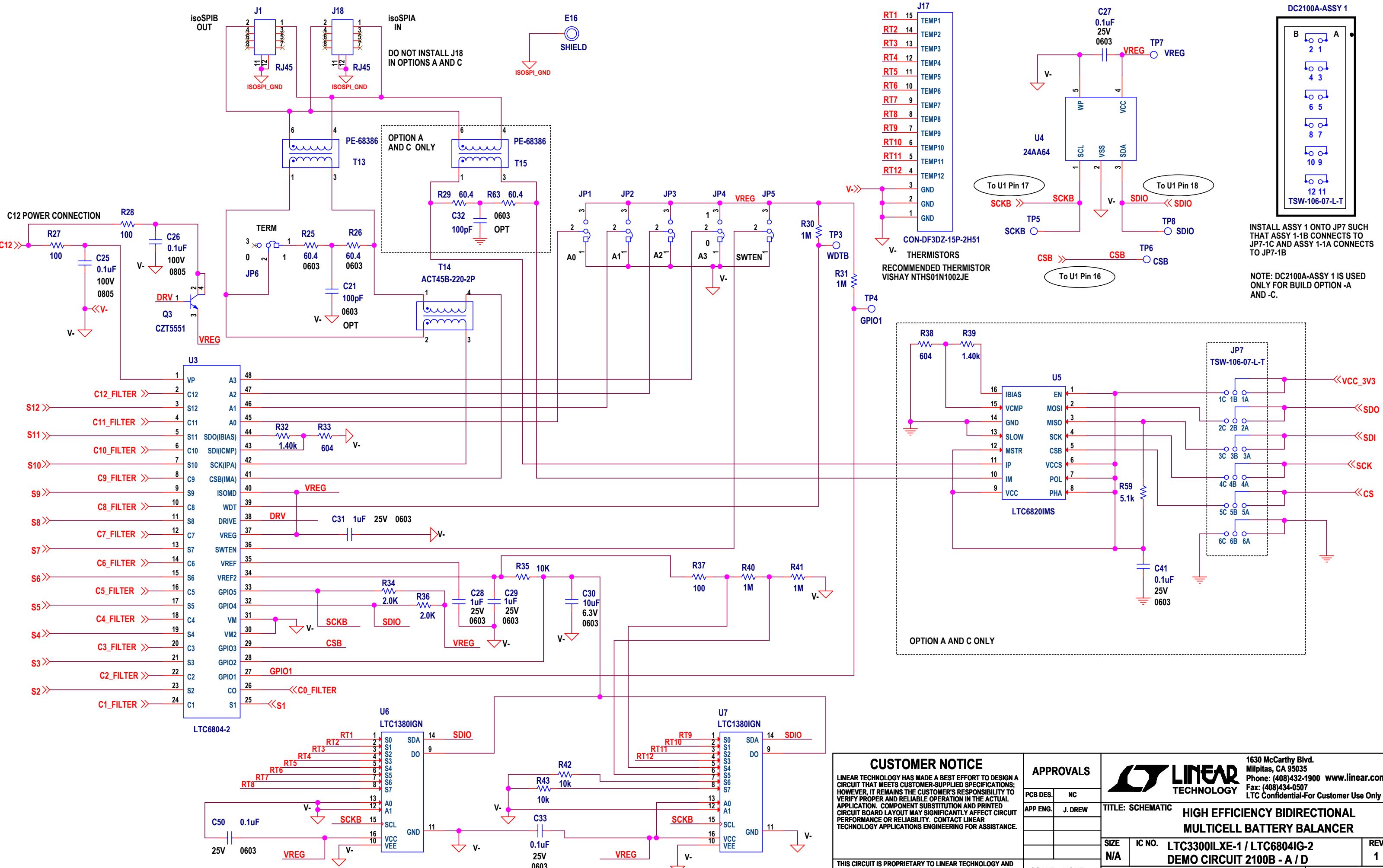
LINEAR TECHNOLOGY

1630 McCarthy Blvd.
Milpitas, CA 95035
Phone: (408)432-1900 www.linear.com
Fax: (408)434-0507
LTC Confidential-For Customer Use Only

TITLE: SCHEMATIC

HIGH EFFICIENCY BIDIRECTIONAL MULTICELL BATTERY BALANCER

SIZE	N/A	IC NO.	LTC3300ILXE-1 / LTC6804IG-2	REV.	1
DATE:	02 - 25 - 15	SCALE = NONE			SHEET 4 OF 6



INSTALL ASSY 1 ONTO JP7 SUCH THAT ASSY 1-1B CONNECTS TO JP7-1C AND ASSY 1-1A CONNECTS TO JP7-1B

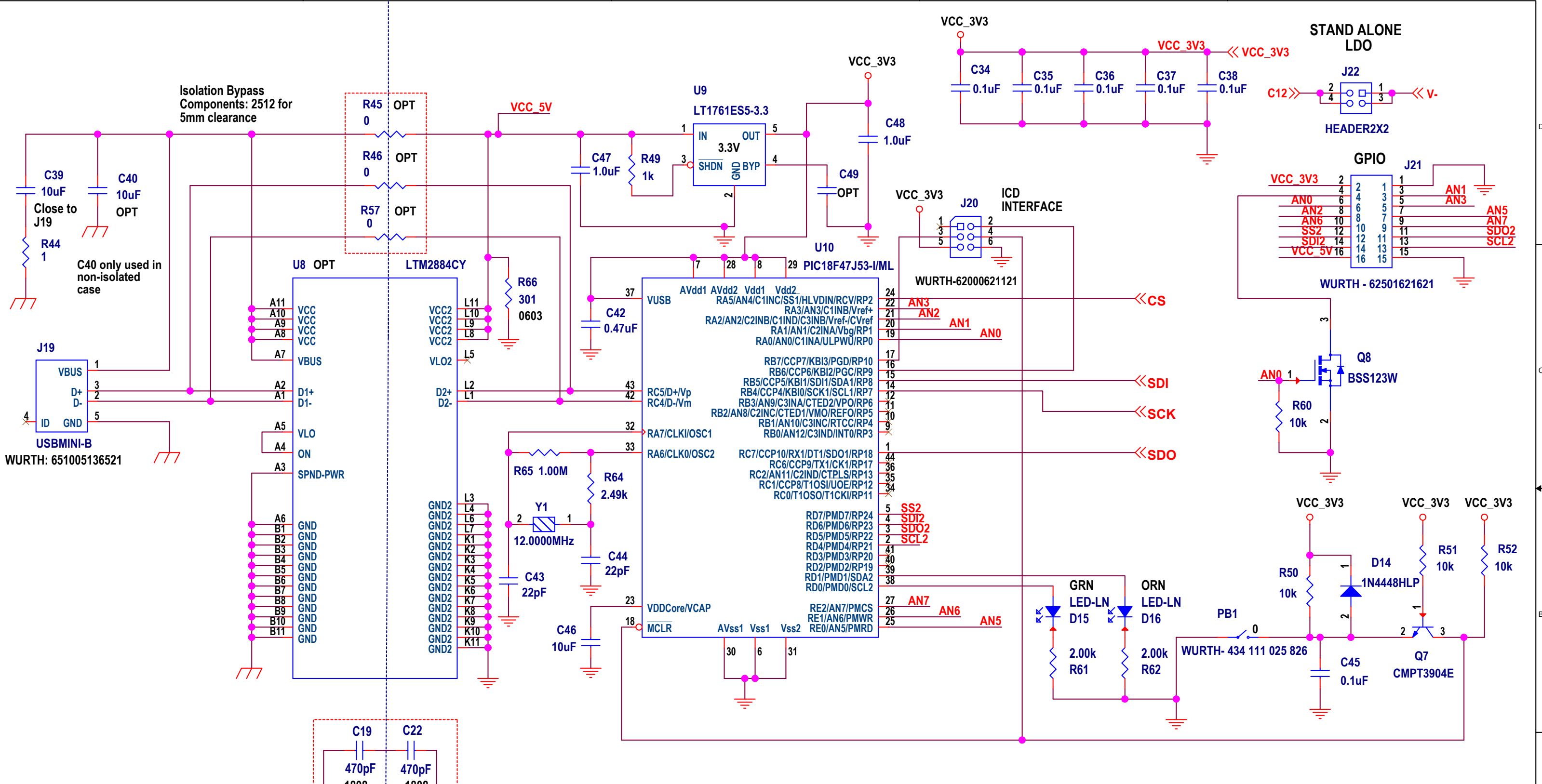
NOTE: DC2100A-ASSY 1 IS USED ONLY FOR BUILD OPTION -A AND -C.

CUSTOMER NOTICE

LINEAR TECHNOLOGY HAS MADE A BEST EFFORT TO DESIGN A CIRCUIT THAT MEETS CUSTOMER-SUPPLIED SPECIFICATIONS; HOWEVER, IT REMAINS THE CUSTOMER'S RESPONSIBILITY TO VERIFY PROPER AND RELIABLE OPERATION IN THE ACTUAL APPLICATION. COMPONENT SUBSTITUTION AND PRINTED CIRCUIT BOARD LAYOUT MAY SIGNIFICANTLY AFFECT CIRCUIT PERFORMANCE OR RELIABILITY. CONTACT LINEAR TECHNOLOGY APPLICATIONS ENGINEERING FOR ASSISTANCE.

THIS CIRCUIT IS PROPRIETARY TO LINEAR TECHNOLOGY AND SUPPLIED FOR USE WITH LINEAR TECHNOLOGY PARTS.

APPROVALS				1630 McCarthy Blvd. Milpitas, CA 95035 Phone: (408)432-1900 www.linear.com Fax: (408)434-0507 LTC Confidential-For Customer Use Only	
PCB DES.	NC				
APP ENG.	J. DREW	TITLE: SCHEMATIC		HIGH EFFICIENCY BIDIRECTIONAL MULTICELL BATTERY BALANCER	
		SIZE	IC NO.	LTC3300ILXE-1 / LTC6804IG-2	
				DEMO CIRCUIT 2100B - A / D	
		SCALE = NONE	DATE:	02 - 25 - 15	SHEET 5 OF 6



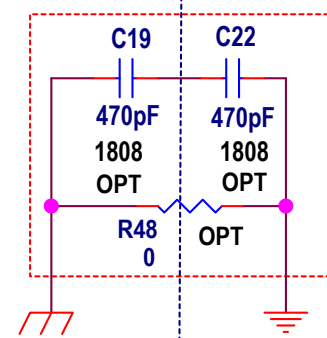
Isolation Bypass Components: 2512 for 5mm clearance

C39 10uF Close to J19

C40 10uF OPT

C40 only used in non-isolated case

J19 USBMINI-B WURTH: 651005136521



ASSEMBLY NOTE: ALL COMPONENTS ON PAGE 6 ARE FOR "BUILD OPTION A AND C ONLY".

CUSTOMER NOTICE
 LINEAR TECHNOLOGY HAS MADE A BEST EFFORT TO DESIGN A CIRCUIT THAT MEETS CUSTOMER-SUPPLIED SPECIFICATIONS; HOWEVER, IT REMAINS THE CUSTOMER'S RESPONSIBILITY TO VERIFY PROPER AND RELIABLE OPERATION IN THE ACTUAL APPLICATION. COMPONENT SUBSTITUTION AND PRINTED CIRCUIT BOARD LAYOUT MAY SIGNIFICANTLY AFFECT CIRCUIT PERFORMANCE OR RELIABILITY. CONTACT LINEAR TECHNOLOGY APPLICATIONS ENGINEERING FOR ASSISTANCE.

THIS CIRCUIT IS PROPRIETARY TO LINEAR TECHNOLOGY AND SUPPLIED FOR USE WITH LINEAR TECHNOLOGY PARTS.

APPROVALS	
PCB DES.	NC
APP ENG.	J. DREW
SCALE = NONE	

1630 McCarthy Blvd. Milpitas, CA 95035
 Phone: (408)432-1900 www.linear.com
 Fax: (408)434-0507
 LTC Confidential-For Customer Use Only

LINEAR TECHNOLOGY

TITLE: SCHEMATIC
HIGH EFFICIENCY BIDIRECTIONAL MULTICELL BATTERY BALANCER

SIZE N/A	IC NO. LTC3300ILXE-1 / LTC6804IG-2	REV. 1
DATE: 02 - 25 - 15		SHEET 6 OF 6