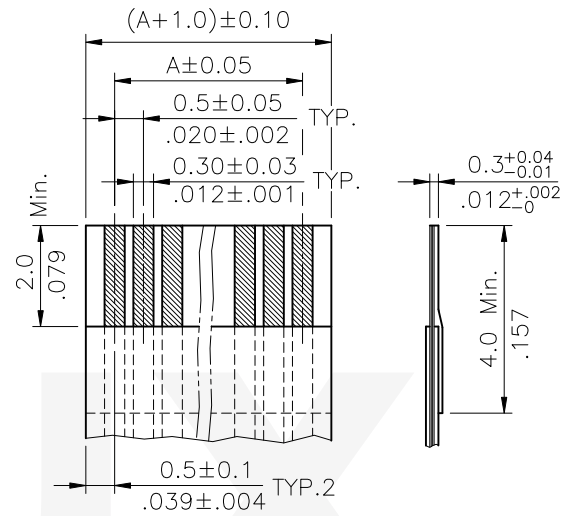
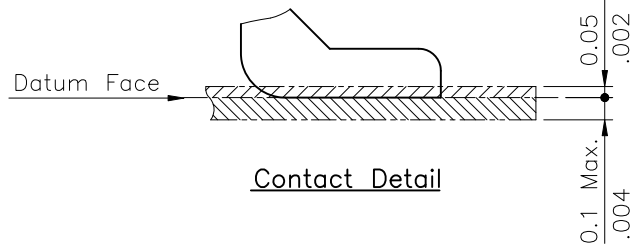
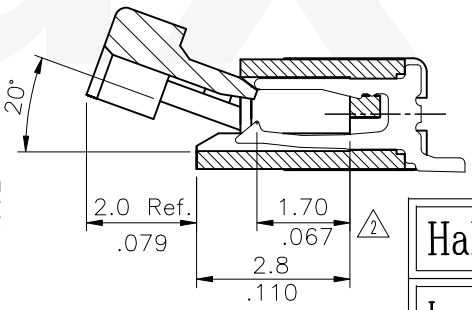


A = 0.50 \* No. of Spaces  
 B = A + 6.0  
 C = A + 1.1  
 \* Available in 4 through 55 circuits



Accommodated FFC/FPC



SEC.: X-X'

Halogen-Free  
 Lead Free Process  
 RoHS Compliant

Ordering Code  
 CF20 \*\* 1 D 0 \*0 -NH  
 ① ② ③ ④ ⑤ ⑥ ⑦

- ① Series No.
- ② No. of Circuits
- ③ Plating code:  
 1 = 3.05μm(120μ") Min. Matte Tin  
 over 0.76μm(30μ") Nickel
- ④ Contact style: D= Downside contact
- ⑤ Color: 0= Nature
- ⑥ Other option: R0= Tape & Reel  
 T0= Tube Packing
- ⑦ Other option:  
 NH= For Lead Free IR Processes  
 and Halogen-Free

- Material :
- \* Body : High temperature plastic UL 94V-0  
 Color Nature
  - \* Slider : High temperature plastic UL 94V-0  
 Color Black
  - \* Contact : Copper alloy with Matte Tin plated
  - \* Fixed tab : Copper alloy with Matte Tin plated

⑤	Yushu	7/04-19'	ECRB119036/ECNT119159		DATE	UNIT: mm / inch	TITLE: 0.50mm(.031") ZIF FFC/FPC DOWNSIDE CONTACT SURFACE MOUNT CONNECTOR	MATERIAL:	DRAWING NO. CF2006SF	PART NO. CF20**1D0*0-NH
④	Karen	7/14-12'	ECR11040-1/ECN11179/ECN11192/ECN12157-0	DRAWN BY: Yushu	7/04-19'	TOLERANCE UNLESS OTHERWISE SPECIFIED				
③	Karen	8/25-09'	ECN09434/ECR09116-0	ENGINEER: Sun	7/11-19'	.X ± 0.15/.006	FINISH:	SCALE 7 / 1	SHEET 1 OF 2	
②	Sandy	11/26-08'	ECN08577	CHECKED BY: Eisley	7/12-19'	.XX ± 0.10/.004				
SYM	NAME	DATE	REVISIONS	APPROVED BY: Eisley	7/12-19'	.XXX ± 0.05/.002				

**CVILUX CORP**  
 2019.07.18  
 ISSUED

瀚荃股份有限公司  
 CviLux Corporation

