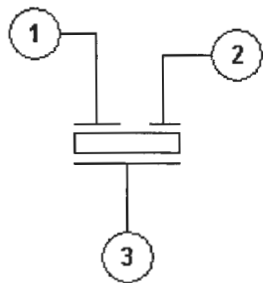


INTERVOX PIEZO BUZZER

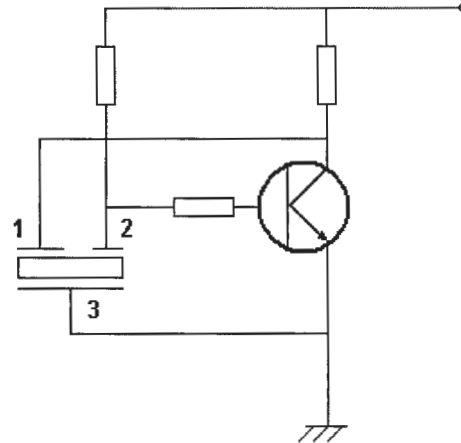
BRP4016P-30

Self-Drive Type
RoHS Compliant

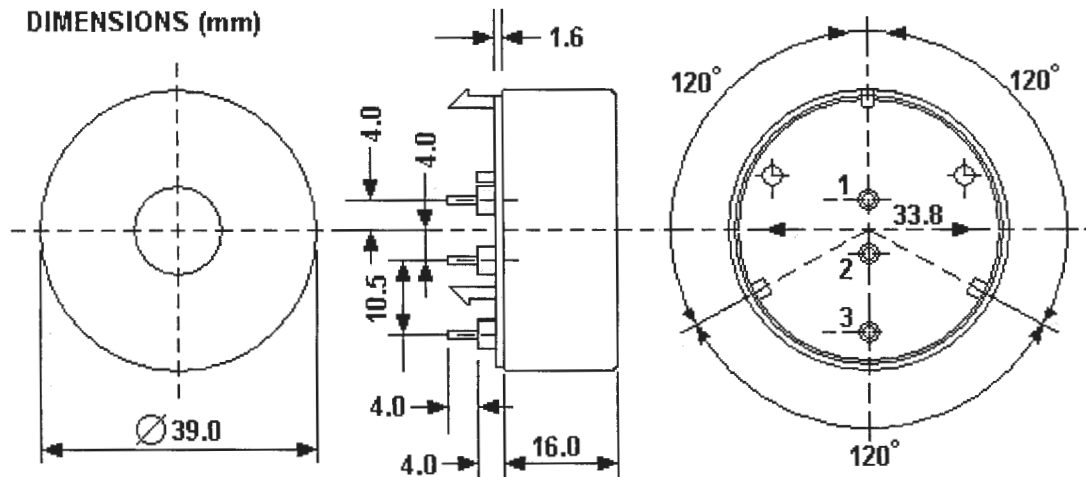
CONFIGURATION



DRIVE CIRCUIT



DIMENSIONS (mm)

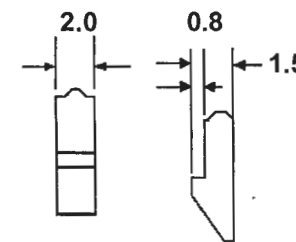


ALL DIMENSIONS IN MM.

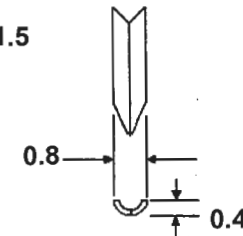
SPECIFICATIONS:

Model No.	BRP4016P-30
Max. Input Voltage (Vp-p)	30
Operating Voltage (Vp-p)	1 ~ 30
Resonant Frequency (Hz)	3000 ± 500
Resonant Resistance (ohm)	200 Max.
Electrostatic Capacitance (pf)	30000 ± 30%
*Sound Output @ 30 cm (dB)	95dB @ 9Vp-p
Operating Temperature (°C)	-20 to +60

CLIP



TERMINIAL



INTERVOX
International ©

INTERNATIONAL COMPONENTS CORPORATION
215 MCCORMICK DRIVE, BOHEMIA, NY 11716
FAX: 631-952-9595 FAX: 631-952-9597

Title

Piezo Buzzer

Code:

Intervox Model #

Rev

G14

BRP4016P-30

B

Scale:

Date: 4/01/2006

Sheet 1 of 1