

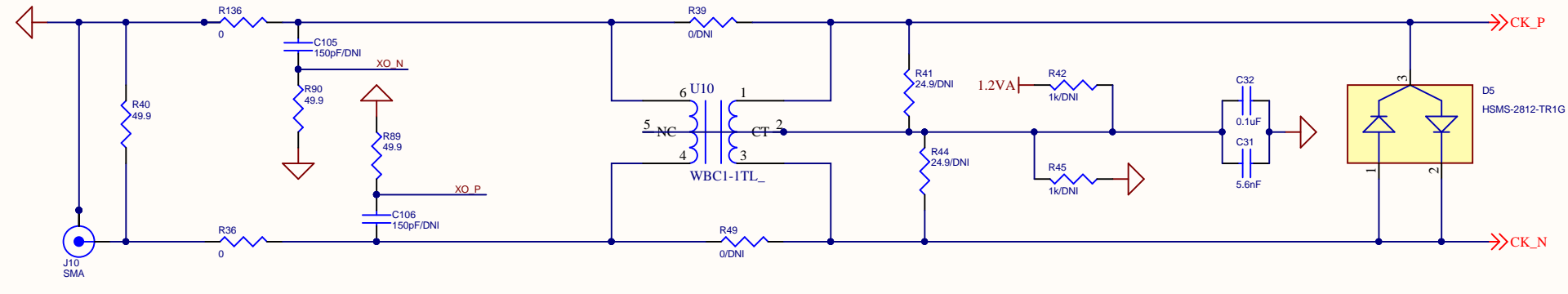
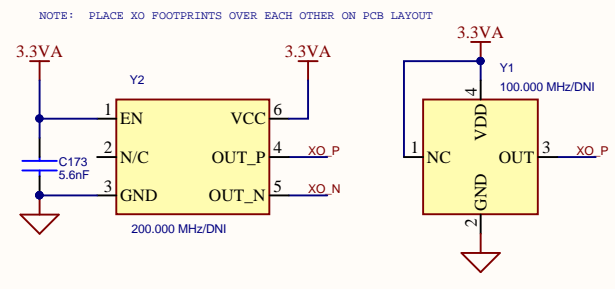
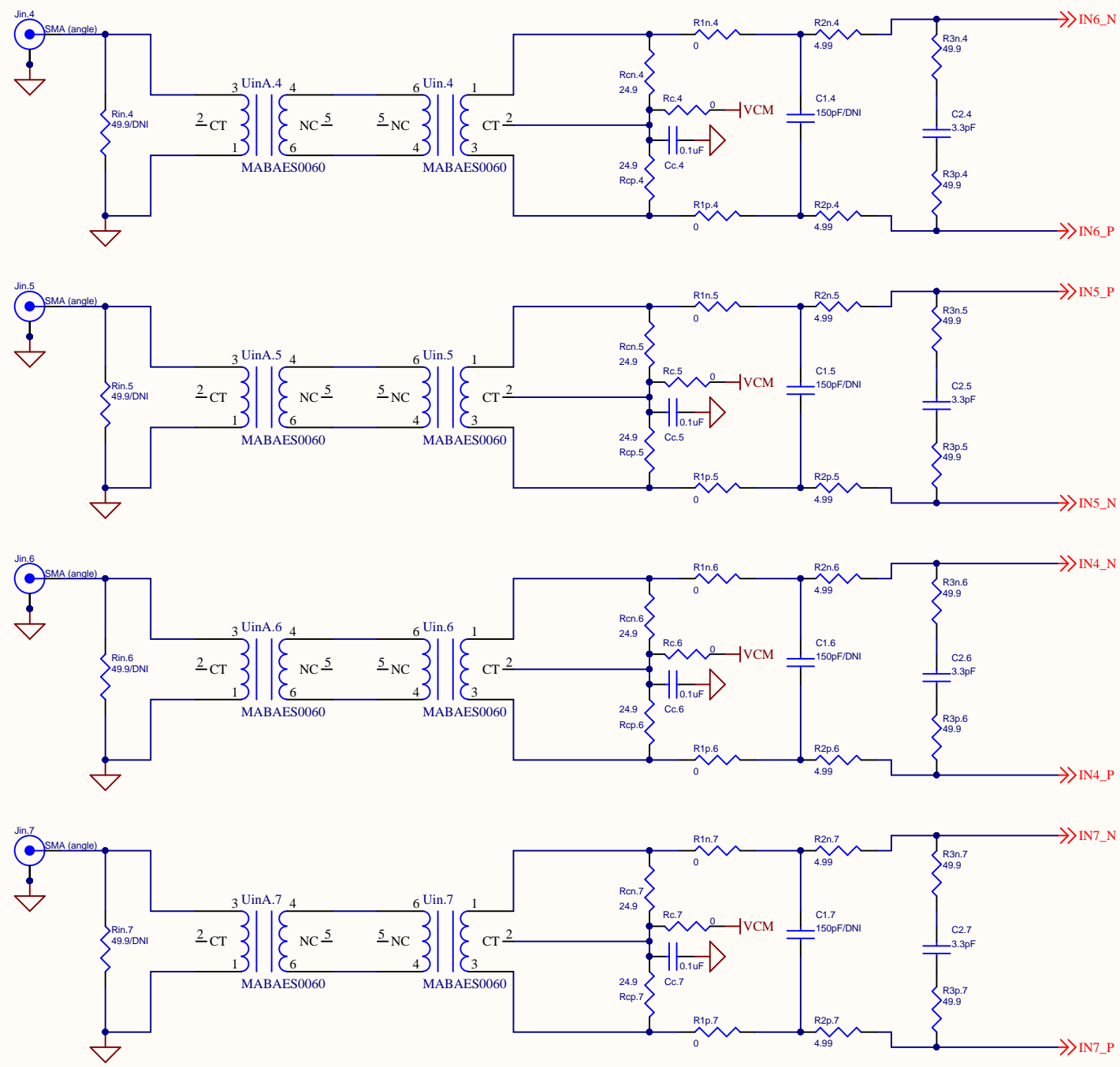
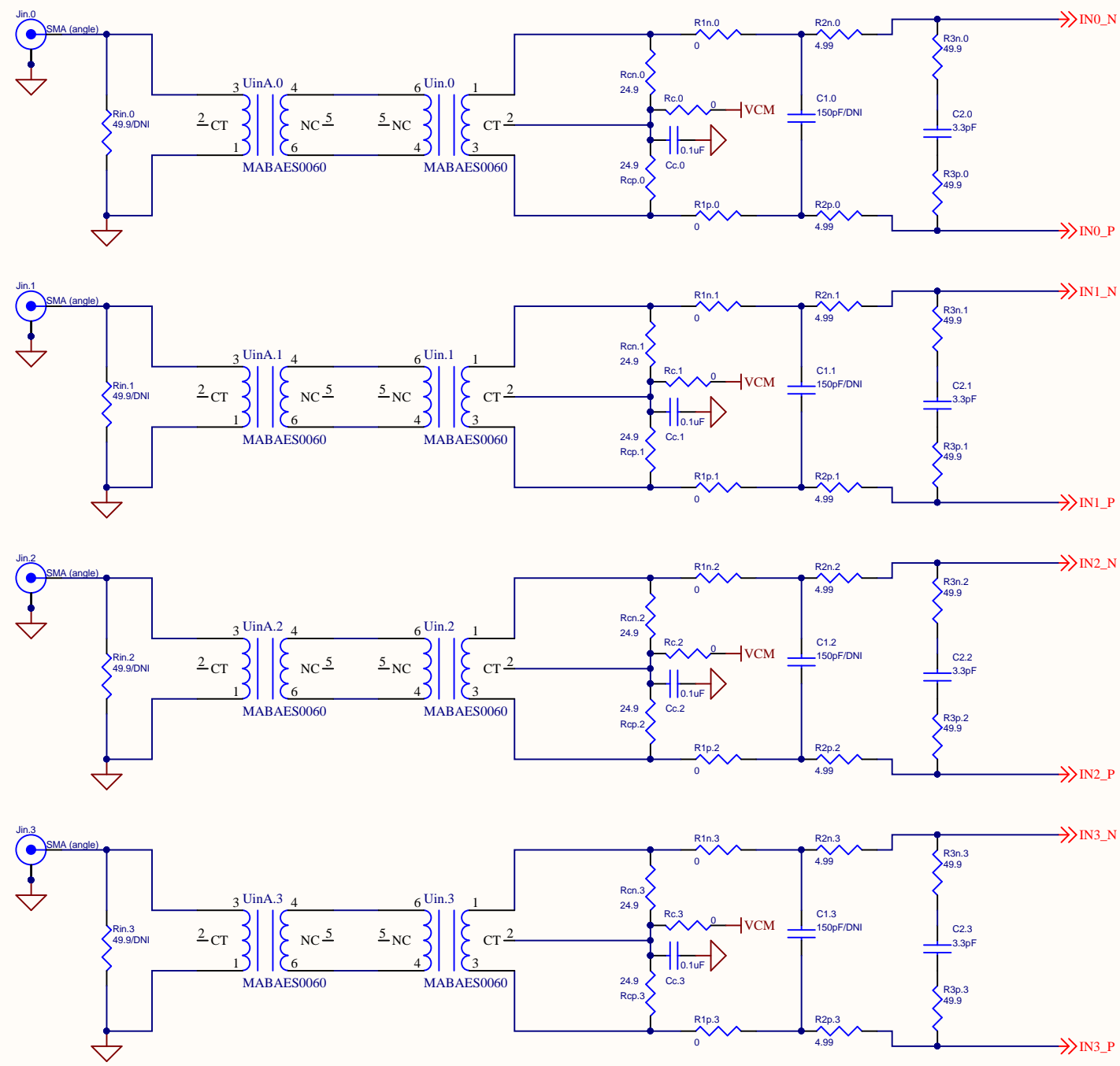
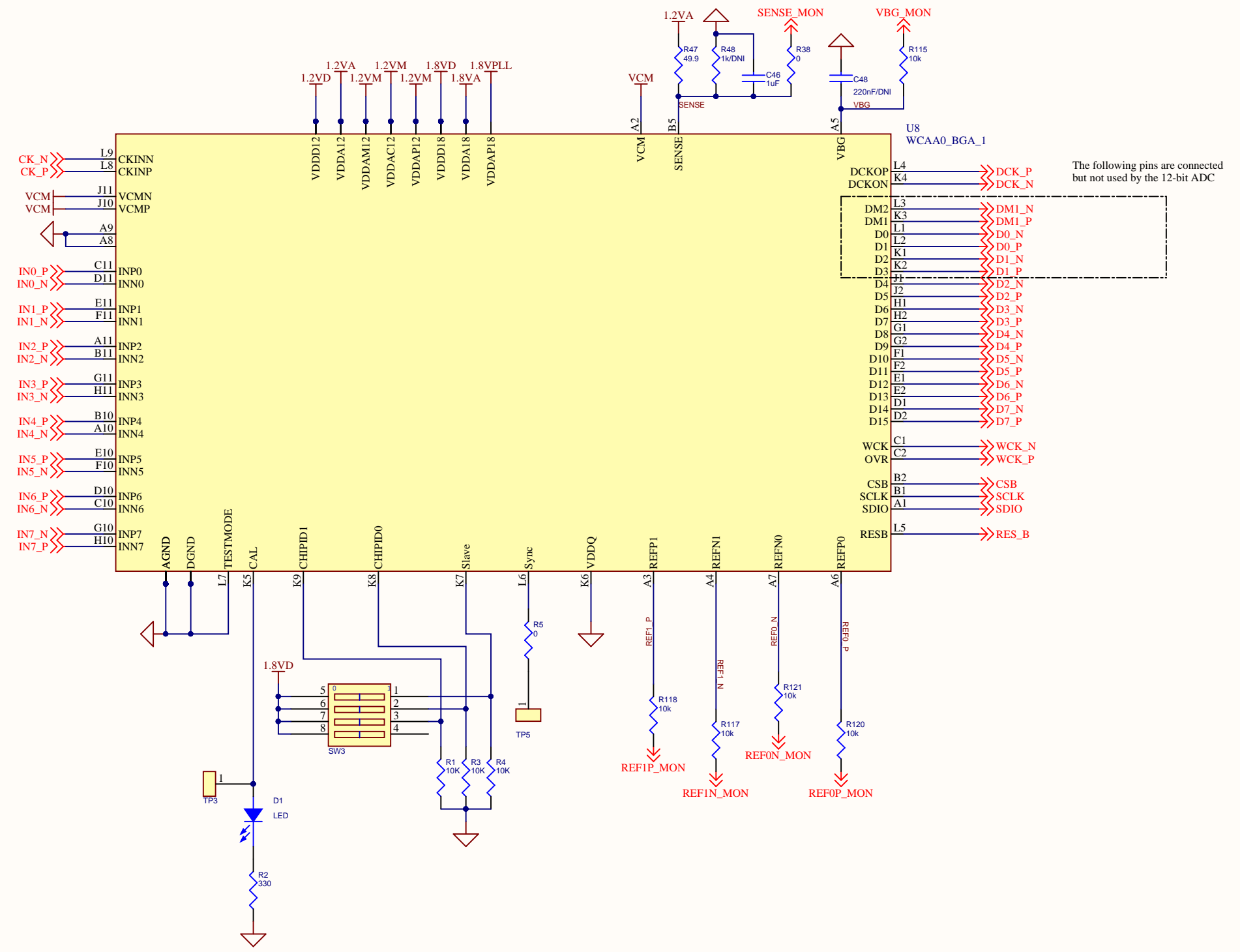
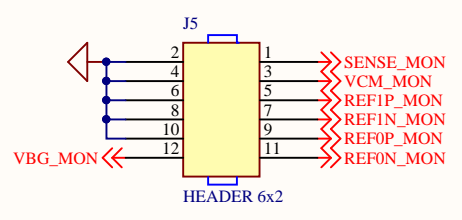
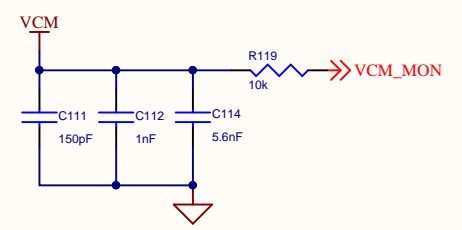
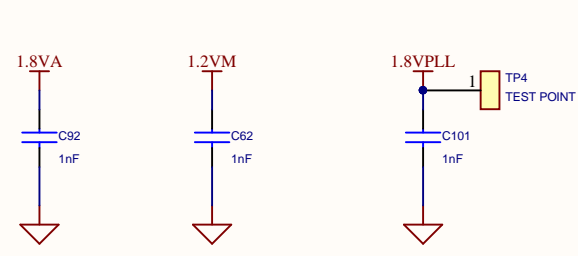


© 7 Jan 2013
 MICROCHIP TECHNOLOGY, INC
 Rev1.0 Dan meacham

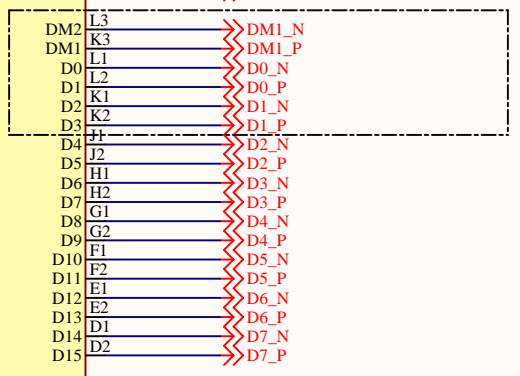
Drawn By: Idan Shtayer		 MICROCHIP
Engineer: Idan Shtayer		
PartNumber: ADM00707		Project Title MCP37x1x-200 12-Bit Evaluation Board
Sheet Title Block Diagram Circuit Schematic		
Size B	Sch #03-10483	Date: 8/22/2016 2:13:50 PM
	Revision:1	Sheet 1 of 6
File: 1 - Block Diagram MCHP Format.SchDoc		
		 Altium.com



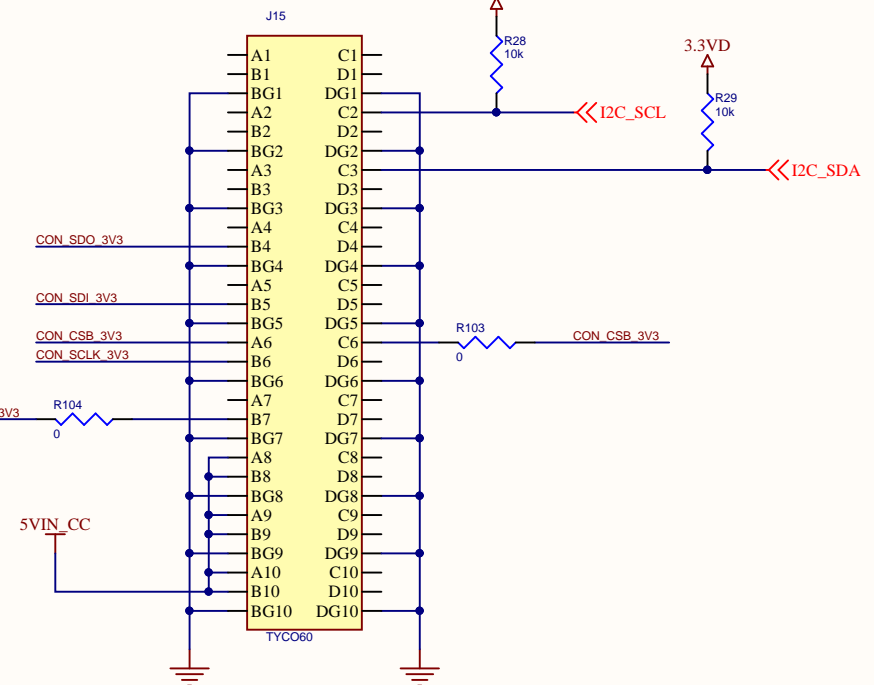
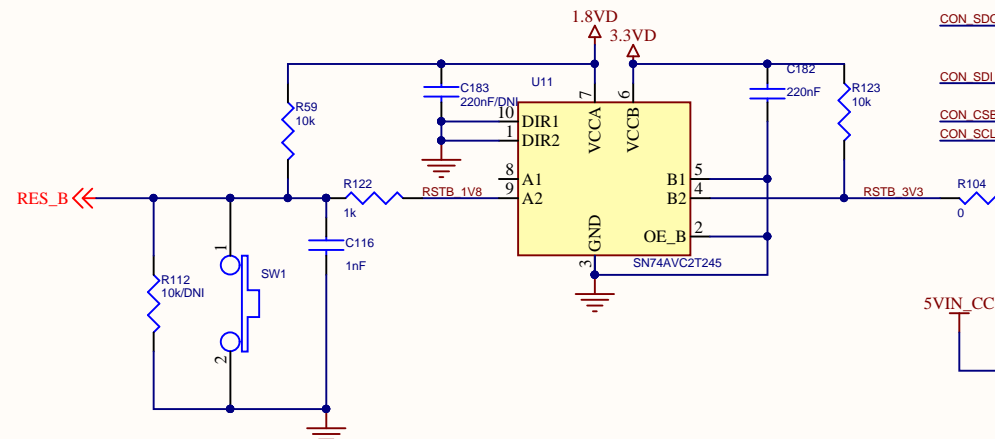
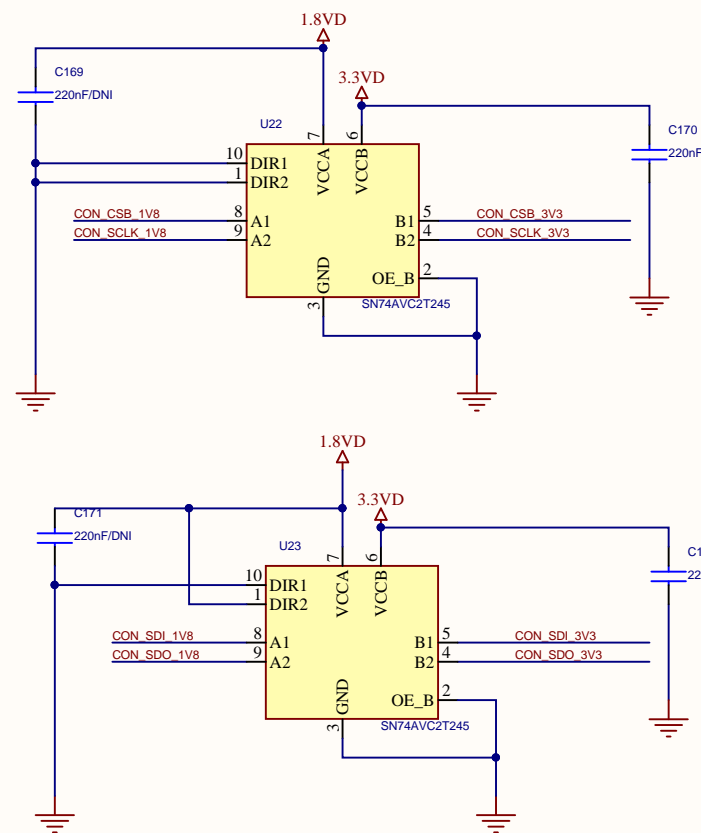
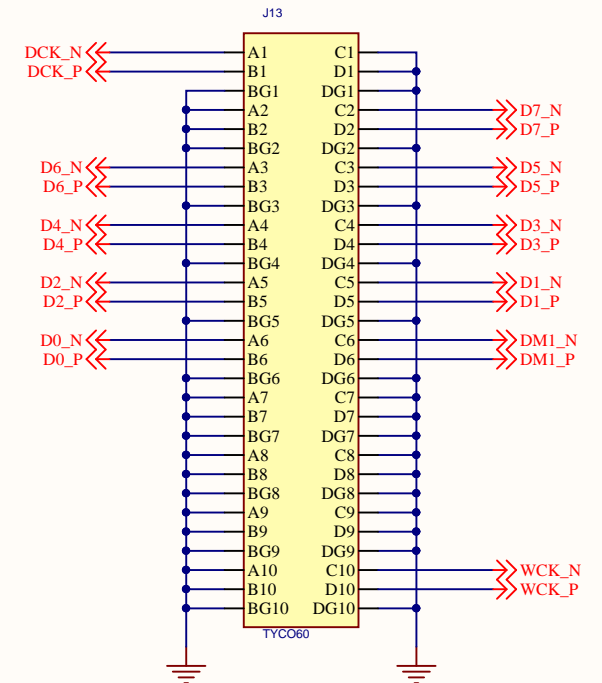
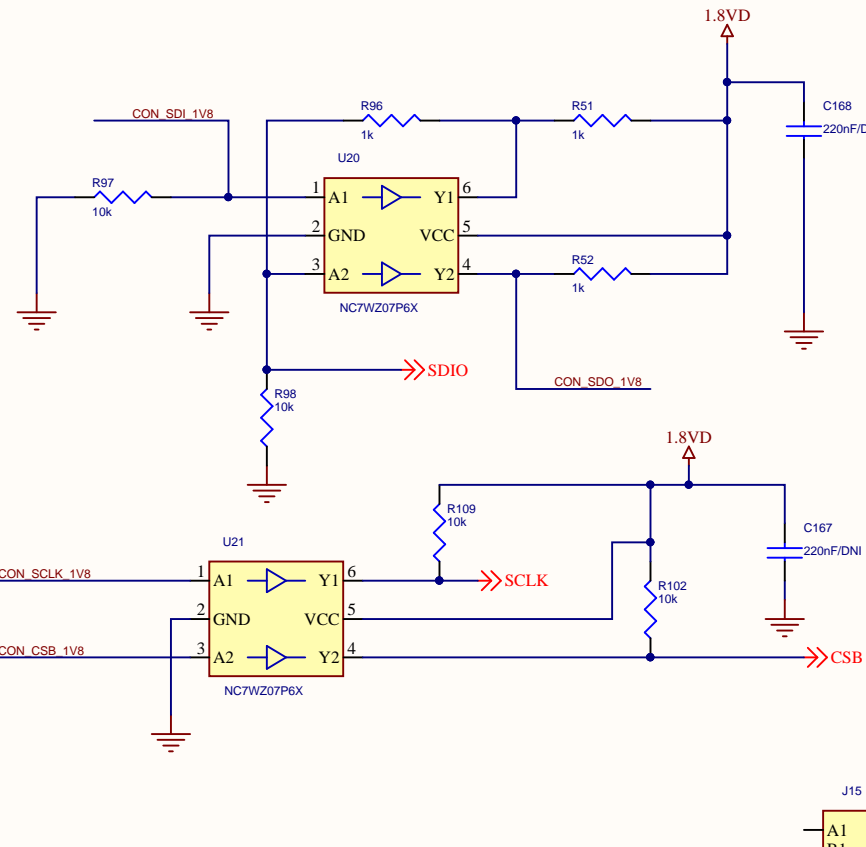
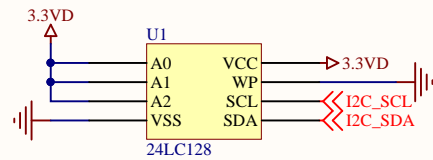
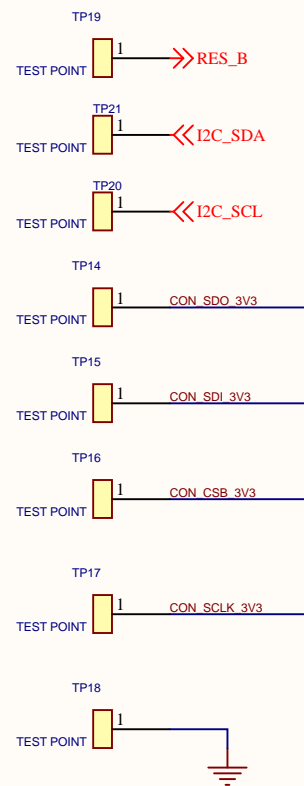
Drawn By: Idan Shtayer	
Engineer: Idan Shtayer	
PartNumber: ADM00707	Project Title MCP37x1x-200 12-Bit Evaluation Board
Sheet Title Inputs and Clock	Designed with
Size C	Sch #03-10483 Date: 8/22/2016 2:13:51 PM
Revision: 1	Sheet 2 of 6
File: 2 - INPUT AND CLOCK NET MCHP Format: SchDoc	



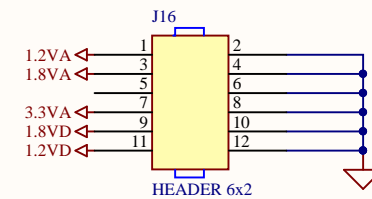
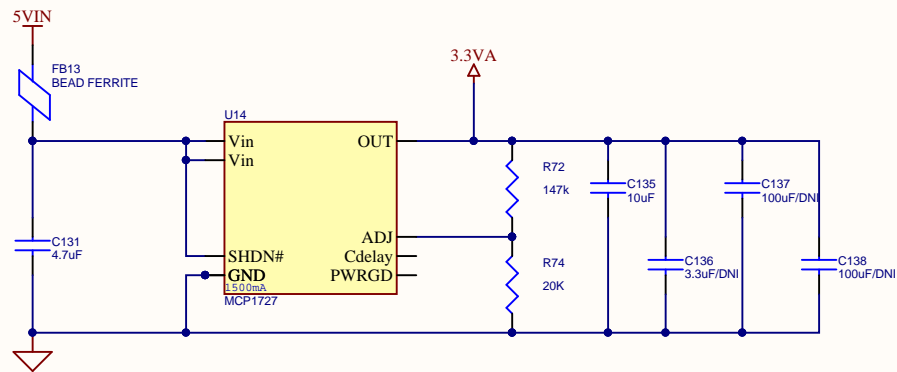
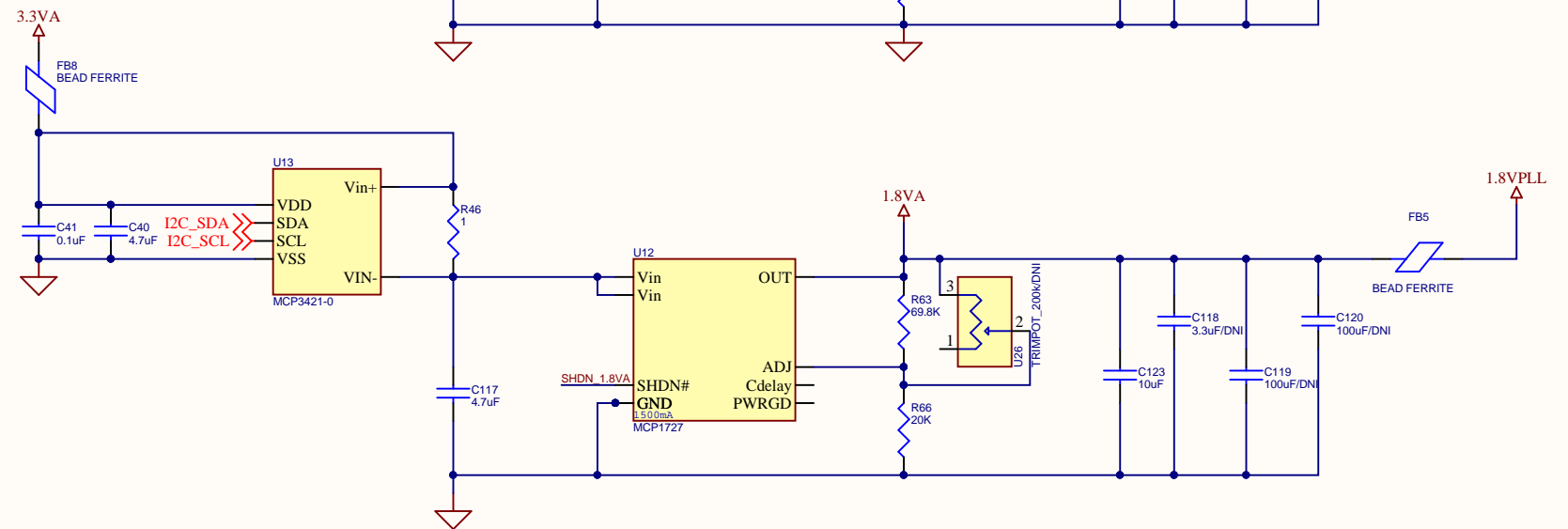
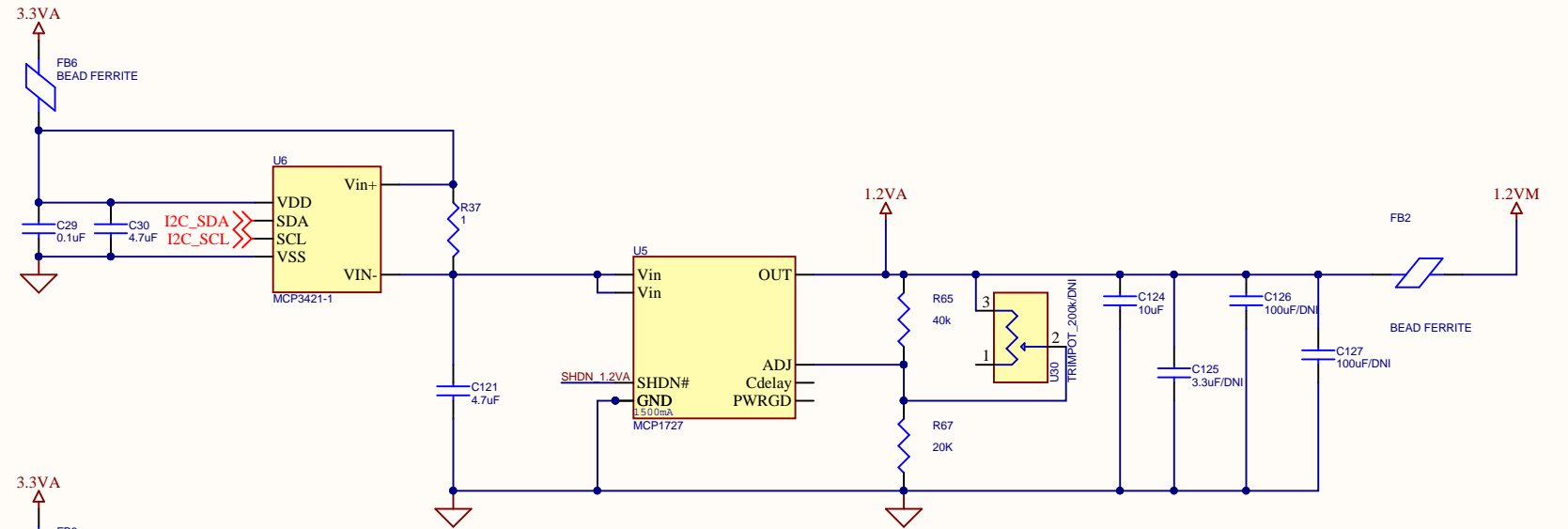
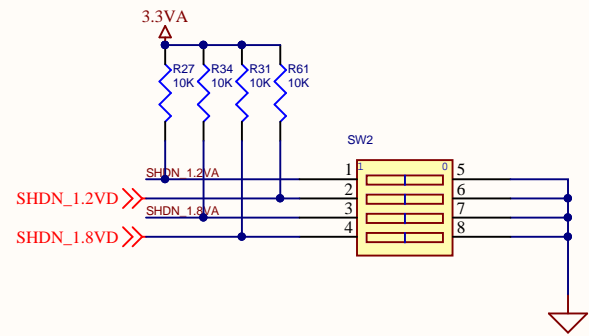
The following pins are connected but not used by the 12-bit ADC



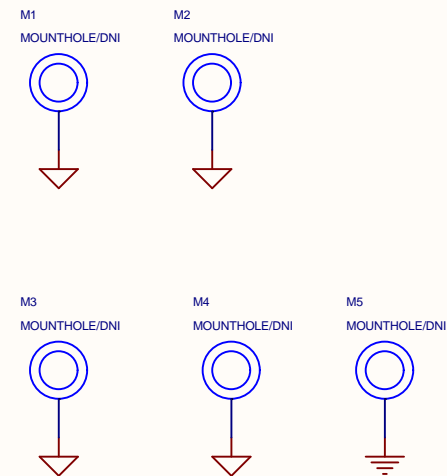
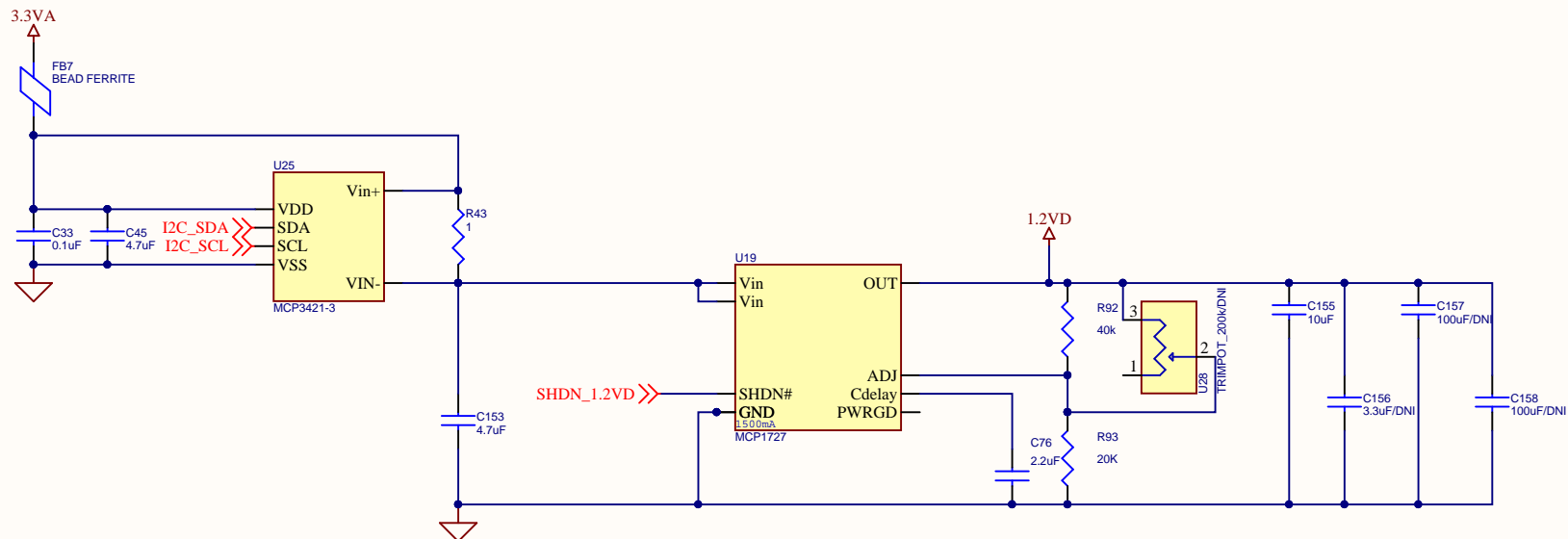
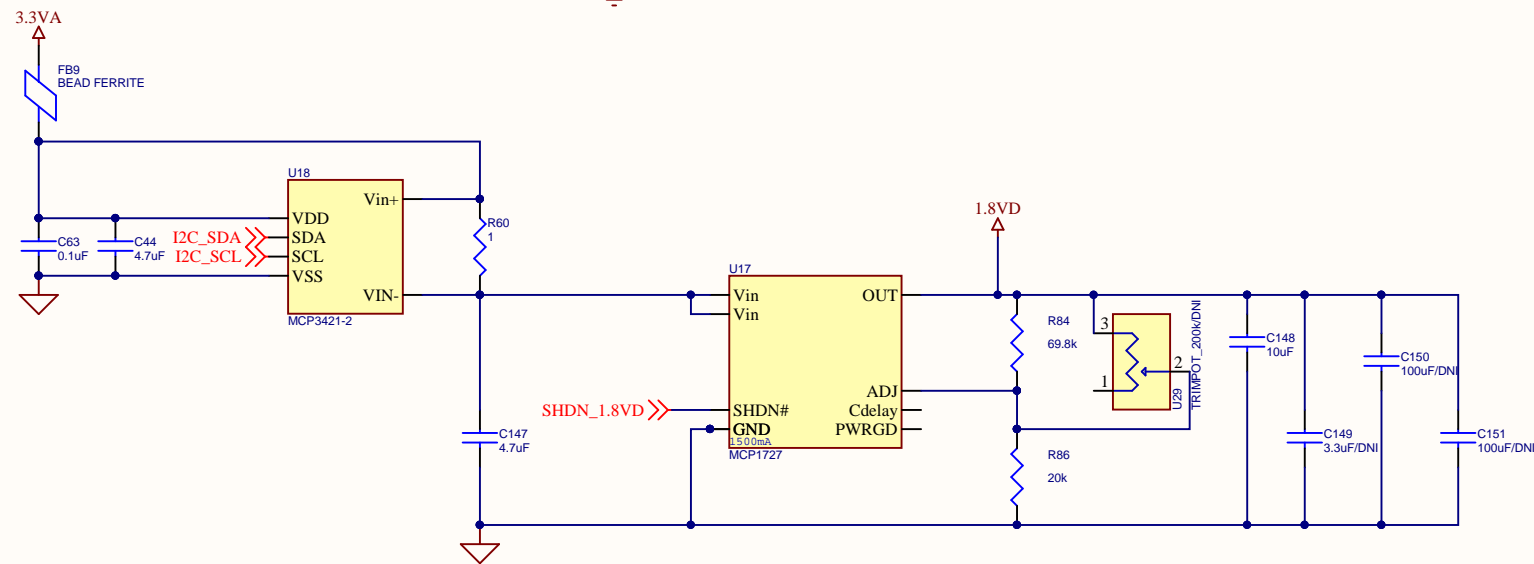
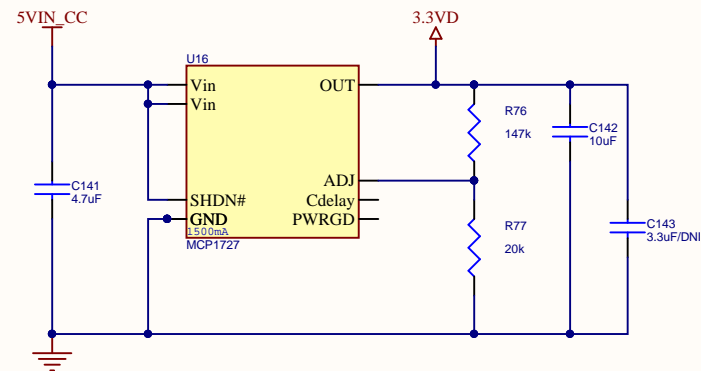
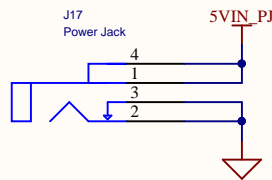
Drawn By: Idan Shtayer		
Engineer: Idan Shtayer		
PartNumber: ADM00707	Project Title MCP37x1x-200 12-Bit Evaluation Board	
Sheet Title DUT and References	Designed with 	
Size B	Sch #03-10483	Date: 8/22/2016 2:13:53 PM
	Revision:1	Sheet 3 of 6
File: 3 - WCAA0_BGA MCHP Format.SchDoc		



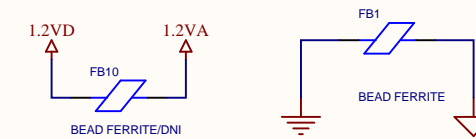
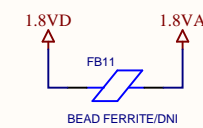
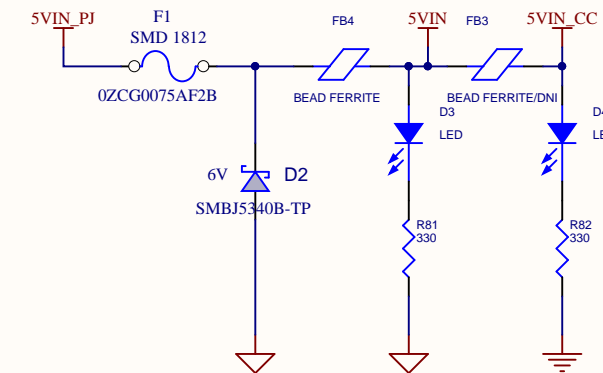
Drawn By: Idan Shtayer		
Engineer: Idan Shtayer		
PartNumber: ADM00707		Project Title MCP37x1x-200 12-Bit Evaluation Board
Sheet Title Connectors and SPI		Designed with
Size B	Sch #03-10483	Date: 8/22/2016 2:13:53 PM
	Revision:1	Sheet 4 of 6
File: 4 - CONNECTORS MCHP Format_SchDoc		



Drawn By: Idan Shtayer		
Engineer: Idan Shtayer		
PartNumber: ADM00707	Project Title MCP37x1x-200 12-Bit Evaluation Board	
Sheet Title Analog Regulators	Designed with 	
Size B	Sch #03-10483	Date: 8/22/2016 2:13:54 PM
	Revision:1	Sheet 5 of 6
File: 5 - ANALOG REGULATORS MCHP Format.SchDoc		



NOTE: PCB MAY BE POWERED FROM EXTERNAL POWER JACK OR CAPTURE CARD INTERFACE



Drawn By: Idan Shtayer	
Engineer: Idan Shtayer	
PartNumber: ADM00707	Project Title MCP37x1x-200 12-Bit Evaluation Board
Sheet Title Digital Regulators	Designed with
Size B	Sch #03-10483 Date: 8/22/2016 2:13:55 PM
	Revision:1 Sheet 6 of 6
File: 6 - DIGITAL REGULATORS MCHP Format.SchDoc	