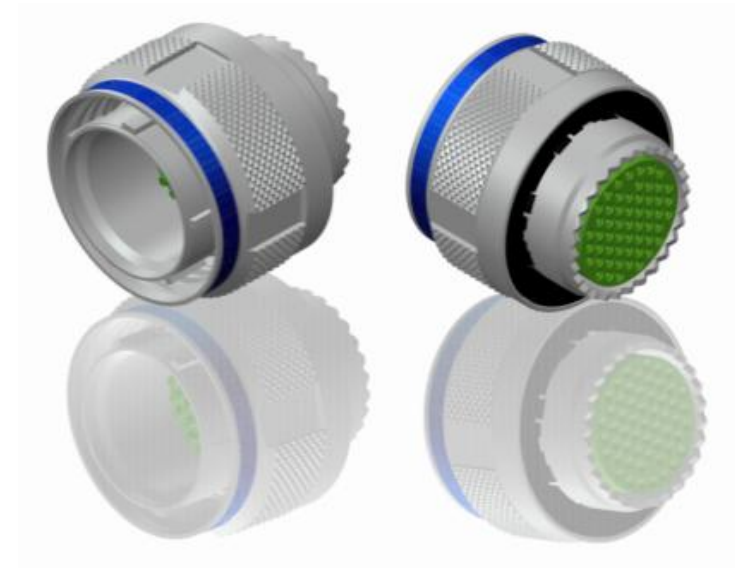
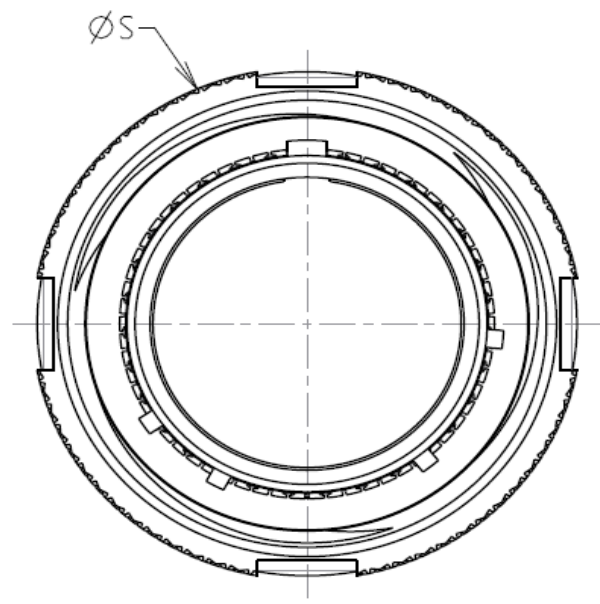
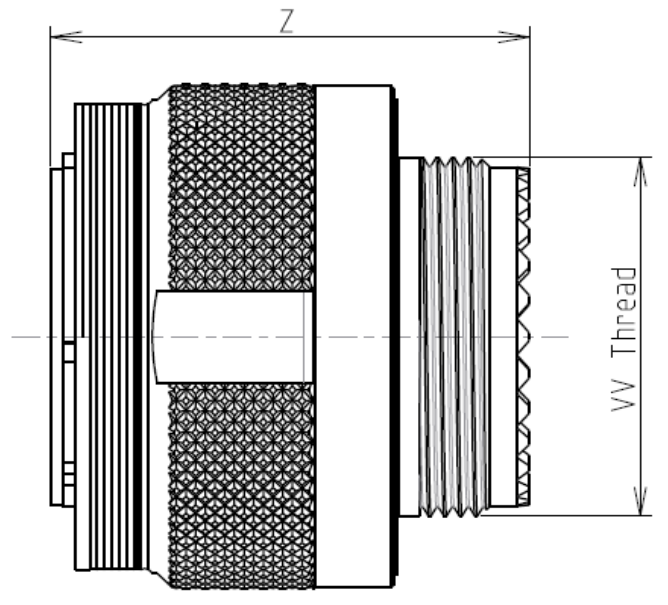


H G F E D C B A



LAYOUT SHOWN AS EXAMPLE

Keying Shown as example

Connector dimension	
Dim	Nominal
ØS	48 Max
Z	31 Max
VV THREAD	M37x1-6g

CHARACTERISTICS

- Standard : Based on MIL-DTL-38999 Series III
- Shell Material : Stainless Steel
- Shell Plating : Passivated
- Insulator : Thermoplastic
- Contacts : Copper Alloy
- Seals & Grommet : Silicon Elastomer
- Contact Plating : Gold over copper Alloy 0.8µm minimum
- Durability : 500 Mating cycles
- Delivered with Souriau contacts and Accessories
- Temperature Range : -65°C to +200°C
- Salt Spray : 500 hours
- Mass : 128.4 g ± 10%

SOURIAU shall not be liable for any non-conformity or damage due to a use of the Products which does not comply with the Specifications issued by either of the Parties or by a third party (professional recommendation, technical notice.)

Country	Jurisdiction & Control List
FR	Not Listed

PN: 8D525K20AE

A	07-10-2016	First Release	
ISS	DATE	Latest modification - by	MOD N°
Designed By:		Date:	CUSTOMER DRAWING
TITLE	Stainless Steel Plug 8D series		
SCALE		General linear Tolerances: ±--	NPRDS / PROJECT 859
NA	SOURIAU WWW.SOURIAU.COM		This document is the property of SOURIAU it must not be reproduced or communicated without permission
FORMAT	A3		SHEET 1/2
		SOURIAU DRG N° 8D525K20AE-C	

BASIC SERIES:	8D	5	-	25	K	20	A	E	ORIENTATION : E
SHELL TYPE :	Plug with RFI Shielding								CONTACT TYPE : PIN(500 Matings)
CONTACT TYPE :	Standard Crimp Contact								CONTACT LAYOUT : 25-20
SHELL SIZE :	25								
PLATING :	K = Passivated								

H G F E D C B A

4
3
2
1

Contact Layout



Contacts (Insert arrangement 25-20)					
Contact position ID	Location		Contact position ID	Location	
	X-axis (mm)	Y-axis (mm)		X-axis (mm)	Y-axis (mm)
A	+000 (0.00)	+407 (10.34)	S	-234 (5.94)	+511 (12.98)
B	+234 (5.94)	+511 (12.98)	T	+243 (6.17)	+270 (6.86)
C	+352 (8.94)	+411 (10.44)	U	+357 (9.07)	+136 (3.45)
D	+466 (11.84)	+275 (6.99)	V	+450 (11.43)	-183 (4.65)
E	+530 (13.46)	+111 (2.82)	W	+000 (0.00)	-131 (3.33)
F	+537 (13.64)	-060 (1.52)	X	-450 (11.43)	-183 (4.65)
G	+467 (11.86)	-312 (7.92)	Y	-357 (9.07)	+136 (3.45)
H	+208 (5.28)	-353 (8.97)	Z	-243 (6.17)	+270 (6.86)
J	+000 (0.00)	-541 (13.74)	1	+195 (4.95)	+115 (2.92)
K	-208 (5.28)	-353 (8.97)	2	+317 (8.05)	-061 (1.55)
L	-467 (11.86)	-312 (7.92)	3	-317 (8.05)	-061 (1.55)
M	-537 (13.64)	-060 (1.52)	4	-195 (4.95)	+115 (2.92)

Contacts (Insert arrangements 25-20)					
Contact position ID	Location		Contact position ID	Location	
	X-axis (mm)	Y-axis (mm)		X-axis (mm)	Y-axis (mm)
N	-530 (13.46)	+111 (2.82)	5	+000 (0.00)	+099 (2.51)
P	-466 (11.84)	+275 (6.99)	6	+141 (3.58)	-018 (0.46)
R	-352 (8.94)	+411 (10.44)	7	-141 (3.58)	-018 (0.46)

Shell size	Arrangement no.	Number of contacts	Size contacts	Service rating	Contact location	Standard contact	
						Pin	Socket
25	-20	3	8	Twinax	A,H,K	M39029/90-529	M39029/91-530
		4	12	Coax	2,3	M39029/28-211	M39029/75-416
		13	16	N	W,5	M39029/102-558	M39029/103-559
		10	20		C,D,E,F, J,M,N,P, R,T,U,Y, Z	M39029/58-364	M39029/56-352
					B,G,L,S, V,X,1,4, 6,7	M39029/58-363	M39029/56-351

SOURIAU shall not be liable for any non-conformity or damage due to a use of the Products which does not comply with the Specifications issued by either of the Parties or by a third party (professional recommendation, technical notice.)

Country	Jurisdiction & Control List
FR	Not Listed

PN: 8D525K20AE

A	07-10-2016	First Release	
ISS	DATE	Latest modification - by	MOD N°
Designed By:		Date:	CUSTOMER DRAWING
TITLE	Stainless Steel Plug 8D series		
SCALE		General linear Tolerances:	NPRDS / PROJECT
NA		±--	859
SOURIAU	WWW.SOURIAU.COM		This document is the property of SOURIAU it must not be reproduced or communicated without permission
FORMAT	SOURIAU DRG N° 8D525K20AE-C		SHEET 2/2