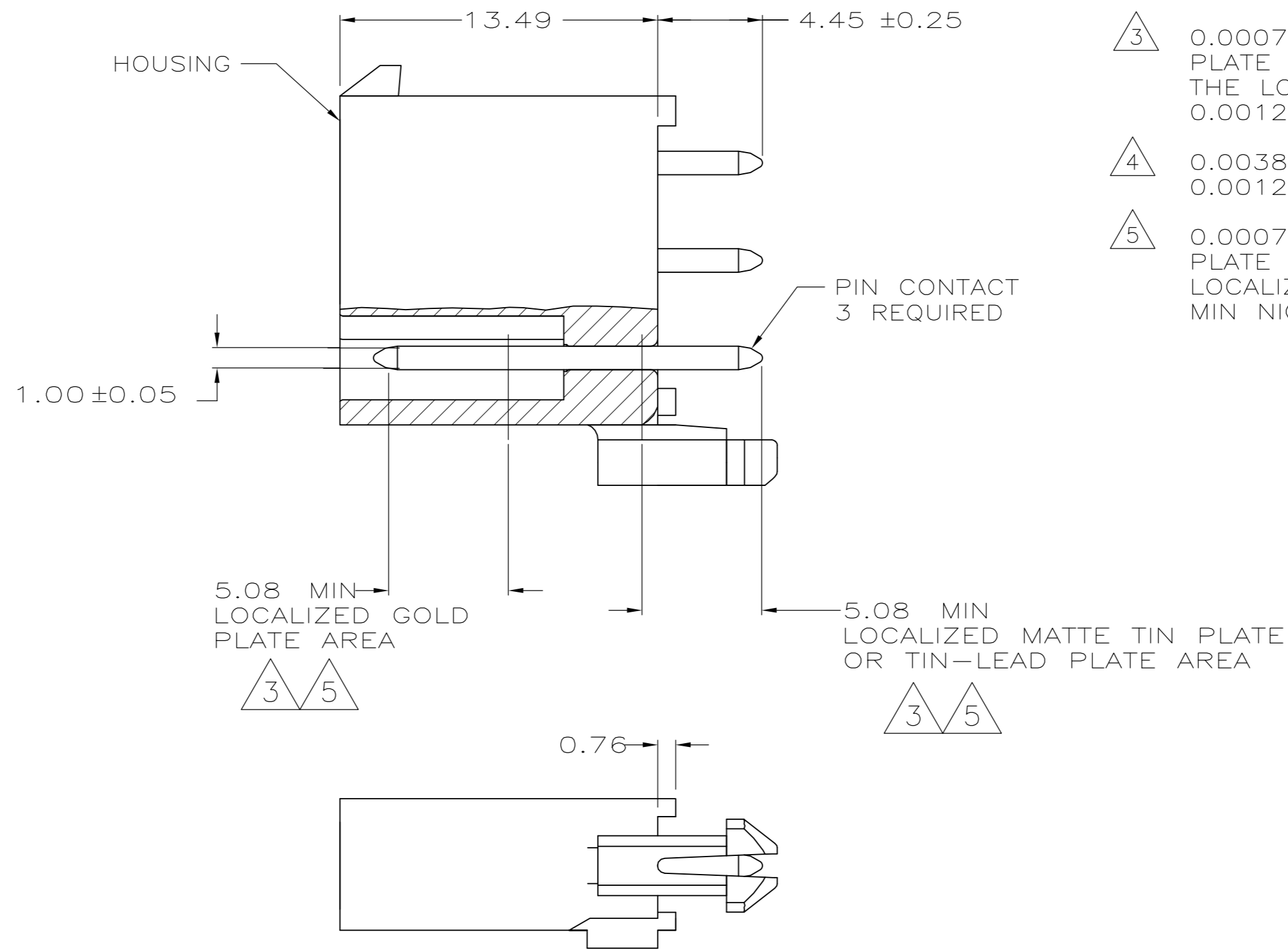
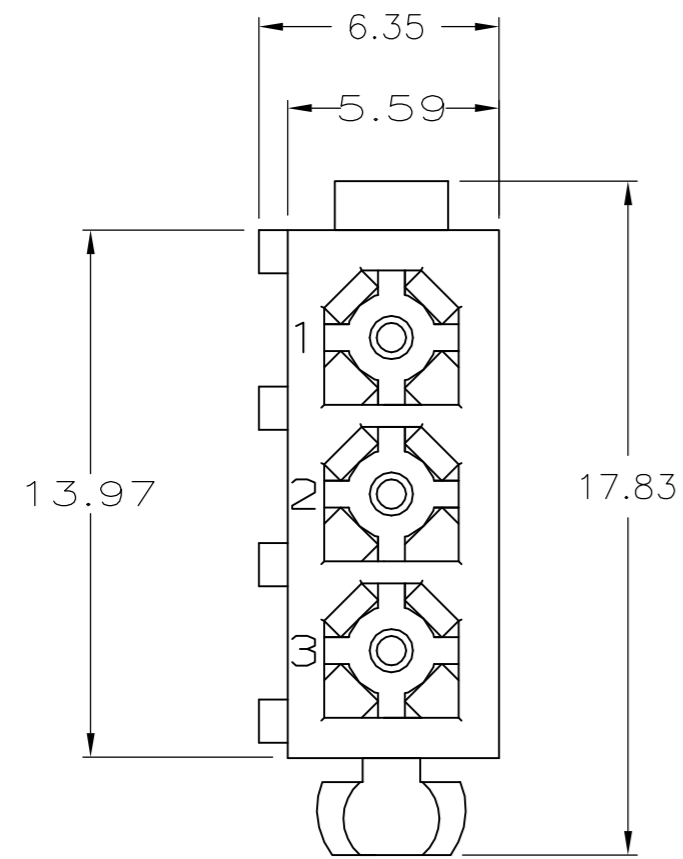
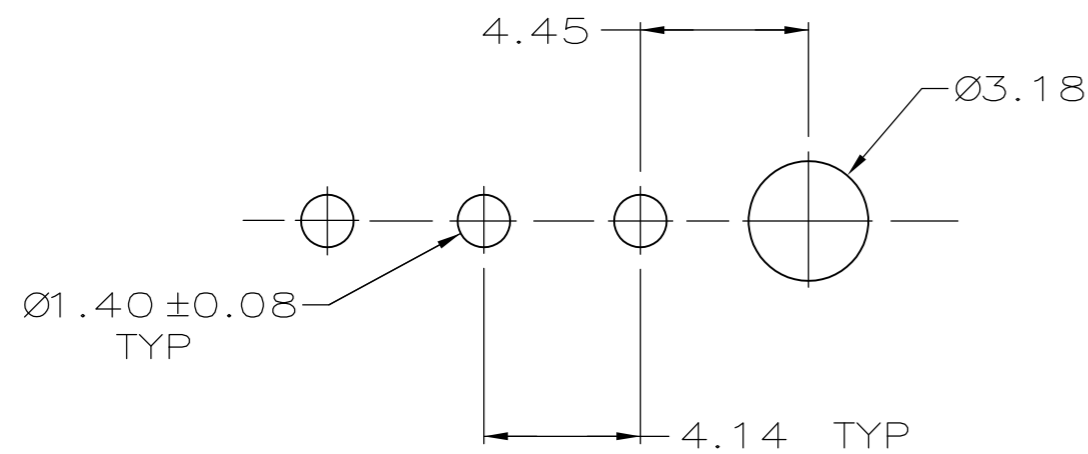


THIS DRAWING IS UNPUBLISHED. RELEASED FOR PUBLICATION
 © COPYRIGHT - By - ALL RIGHTS RESERVED.

REVISIONS					
P	LTR	DESCRIPTION	DATE	DWN	APVD
M2		REVISED PER ECR-18-005392	26NOV2018	BDA	SG



- 1 PINS TO COMPLY WITH AMP SOLDERABILITY SPEC. 109-11-3.
- 2 0.00381 MIN MATTE TIN LEAD PLATE OVER 0.00127 MIN NICKEL.
- 3 0.00076 MIN GOLD PLATE IN THE LOCALIZED PLATE AREA, 0.00381 MATTE TIN LEAD IN THE LOCALIZED PLATE AREA, BOTH OVER 0.00127 MIN NICKEL.
- 4 0.00381 MIN MATTE TIN PLATE OVER 0.00127 MIN NICKEL.
- 5 0.00076 MIN GOLD PLATE IN THE LOCALIZED PLATE AREA, 0.00381 MATTE TIN IN THE LOCALIZED PLATE AREA, BOTH OVER 0.00127 MIN NICKEL.



RECOMMENDED LAYOUT FOR 1.57 THICK BOARD
 TOLERANCES NON-ACCUMULATIVE

OBSOLETE	BRASS, TIN	4	NYLON, UL94V-0	BLACK	5-770170-0
	BRASS, GOLD	5	NYLON, UL94V-0	WHITE	1-770170-1
	BRASS, TIN	4	NYLON, UL94V-0	WHITE	1-770170-0
	BRASS, GOLD	3	NYLON, UL94V-0	WHITE	770170-2
	BRASS, TIN-LEAD	2	NYLON, UL94V-0	WHITE	770170-1
	MATERIAL	FINISH	MATERIAL	COLOR	PART NO.
	PIN		HOUSING		

THIS DRAWING IS A CONTROLLED DOCUMENT.		DWN S CARPENTER 08JUN05			
DIMENSIONS: mm		CHK R JONES 28JUL2003			
TOLERANCES UNLESS OTHERWISE SPECIFIED:		APVD R JONES 28JUL2003	NAME HEADER ASSEMBLY, 3 CKT, MINI UNIVERSAL MATE-N-LOK		
0 PLC ± -		PRODUCT SPEC	SIZE A2		
1 PLC ± -		APPLICATION SPEC	CAGE CODE 00779		
2 PLC ± 0.13			DRAWING NO C=770170		
3 PLC ± -			RESTRICTED TO		
4 PLC ± -			SCALE 1:1		
ANGLES ± -			SHEET 1 of 1		
FINISH		WEIGHT	REV M2		
MATERIAL		CUSTOMER DRAWING			