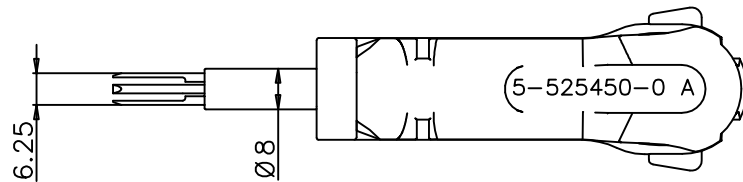
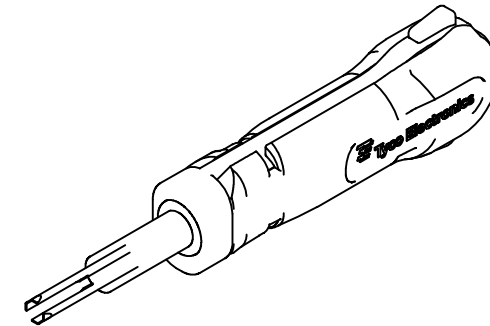
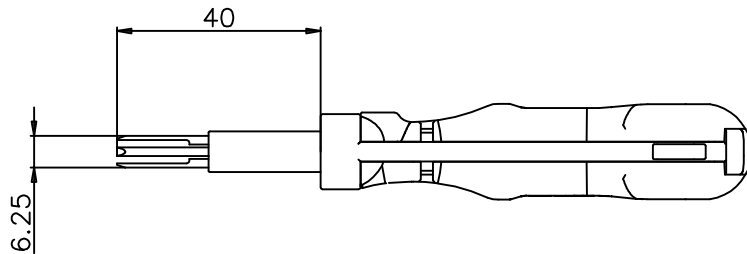
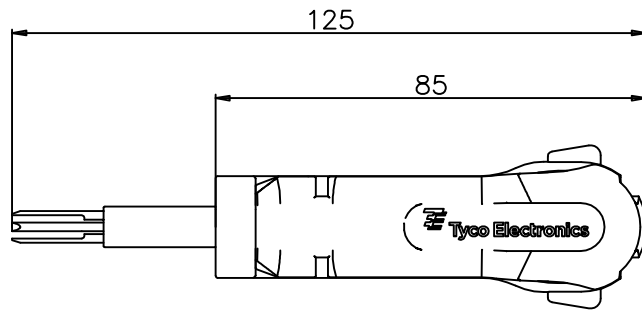


THIS DRAWING IS UNPUBLISHED. RELEASED FOR PUBLICATION
 © COPYRIGHT - BY TYCO ELECTRONICS CORPORATION. ALL INTERNATIONAL RIGHTS RESERVED.

LOC		DIST		REVISIONS			
P	LTR	DESCRIPTION		DATE	DWN	APVD	
	A	INITIAL REVISION		01DEC09	LS	SA	



THIS DRAWING IS A CONTROLLED DOCUMENT.		DWN L Sandhu	01DEC09	 Tyco Electronics AMP GmbH 64625 Bensheim (Germany)
		CHK S Samstag	01DEC09	
		APVD S Samstag	01DEC09	NAME EXTRACTION TOOL Entriegelungswerkzeug
DIMENSIONS: mm 		TOLERANCES UNLESS OTHERWISE SPECIFIED: 0 PLC ± - 1 PLC ± - 2 PLC ± - 3 PLC ± - 4 PLC ± - ANGLES ± -		PRODUCT SPEC -
MATERIAL		FINISH		APPLICATION SPEC -
		WEIGHT		SIZE A3
		CUSTOMER DRAWING		CAGE CODE 00779
				DRAWING NO 5-525450-0
				RESTRICTED TO -
				SCALE 1:1
				SHEET 1 of 1
				REV A