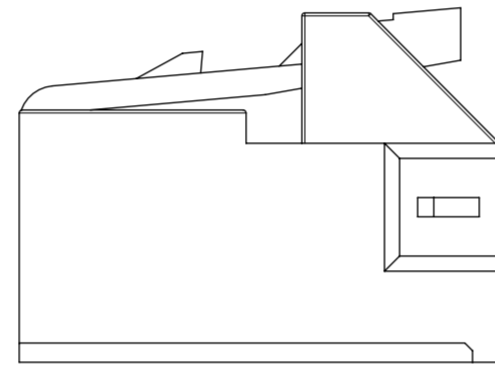
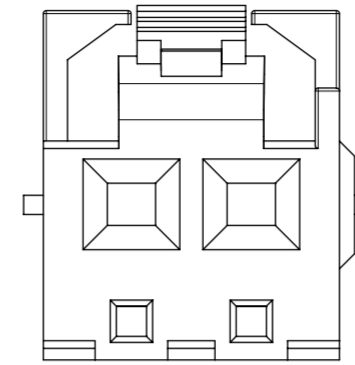


DISTINCTIVE FOR 2-CIRCUIT

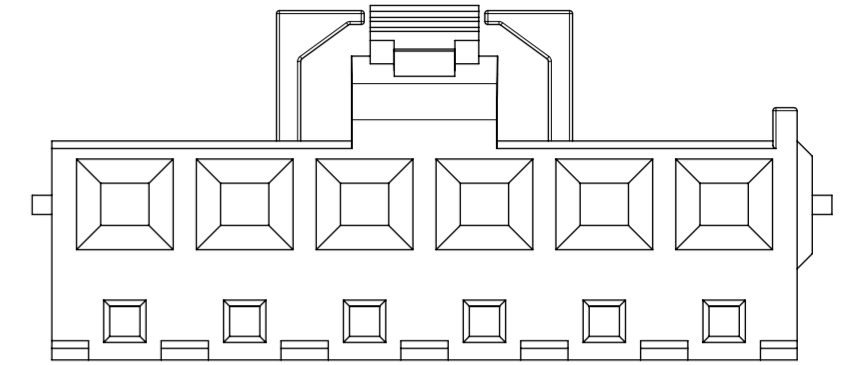


**POLARIZATION**

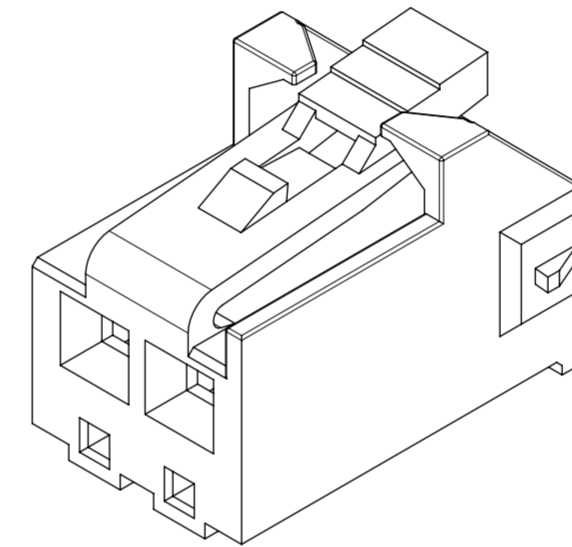
**2 CKT**



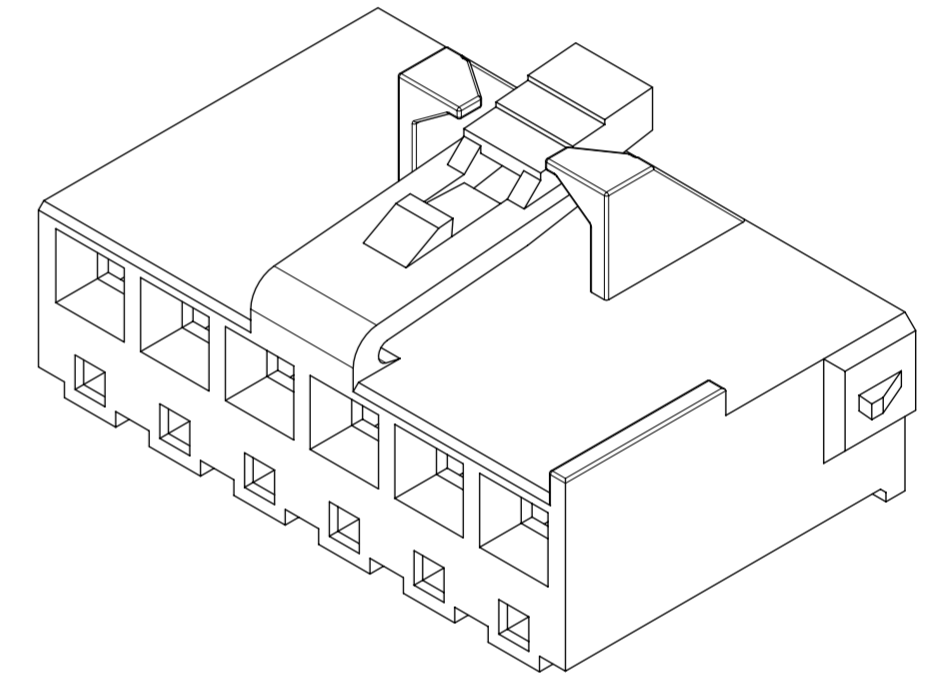
**3 TO 6 CKT**



**ISOMETRIC OF 2 CKT**



**ISOMETRIC OF 6 CKT**



CIRCUIT SIZE	PART NUMBER	DIM. A
02	2074580002	10.29
03	2074580003	13.25
04	2074580004	17.21
05	2074580005	21.18
06	2074580006	25.14

**NOTES:**

1. MATERIAL: PA66 , RATED UL94V-0, COLOR- BLACK
2. PRODUCT SPECIFICATION: 2074580000-PS
3. PACKAGING SPECIFICATION: 2074580000-PK
4. COSMETIC SPECIFICATION: PS-45499-002 CLASS B
5. HOUSING ACCEPTS TERMINALS FROM 45570 SERIES

THIS DRAWING CONTAINS INFORMATION THAT IS PROPRIETARY TO MOLEX ELECTRONIC TECHNOLOGIES, LLC AND SHOULD NOT BE USED WITHOUT WRITTEN PERMISSION

DIMENSION UNITS <b>mm</b>	SCALE <b>4:1</b>	CURRENT REV DESC:		<b>molex</b>			
GENERAL TOLERANCES (UNLESS SPECIFIED)		EC NO: 706747					
ANGULAR TOL ± 0.5°		DRWN: SHRUTJ	2022/04/27	KK PLUS 396 RECEPTACLE HOUSING			
4 PLACES ±		CHK'D: SHRUTJ	2022/05/13	PRODUCT CUSTOMER DRAWING			
3 PLACES ±		APPR: ISHWARG	2022/05/13	DOCUMENT NUMBER			
2 PLACES ± 0.2		INITIAL REVISION:		2074580000-SD			
1 PLACE ± 0.25		DRWN: GGUNAGI	2018/09/19	DOC TYPE	DOC PART	REVISION	
0 PLACES ±		APPR: NCSR	2019/02/05	PSD	000	A2	
DRAFT WHERE APPLICABLE MUST REMAIN WITHIN DIMENSIONS	THIRD ANGLE PROJECTION	DRAWING	SERIES	MATERIAL NUMBER	CUSTOMER	SHEET NUMBER	
		A2-SIZE	207458	SEE TABLE	GENERAL MARKET	1 OF 1	

DOCUMENT STATUS	P1	RELEASE DATE	2022/05/13	18:11:34
-----------------	----	--------------	------------	----------