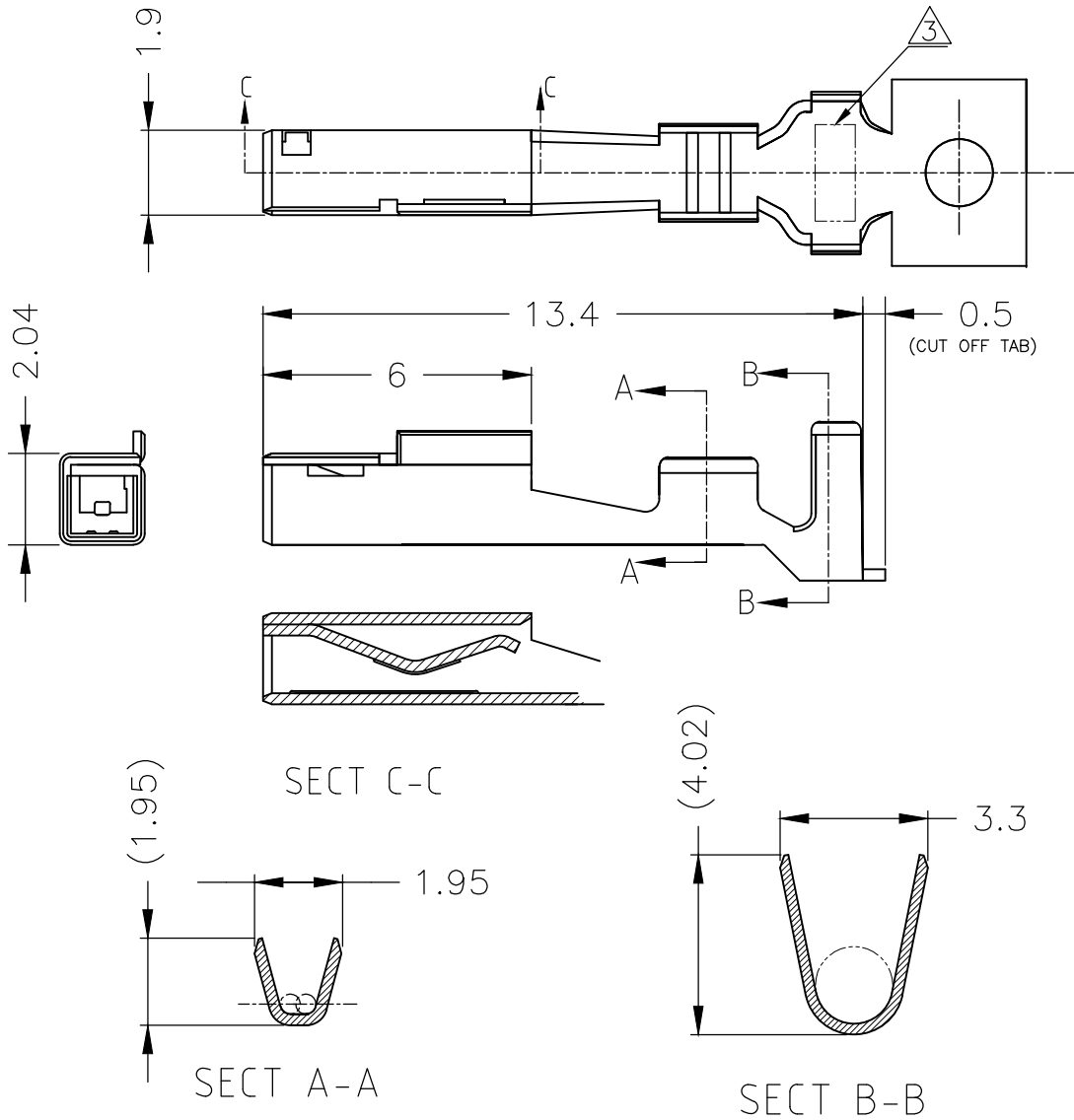


REVISIONS					
P	LTR	DESCRIPTION	DATE	DWN	APVD
	A1	REVISED PER ECR-18-008948	05JUL2018	SC	BH



- 注)  
 1 一般公差: ±0.25  
 2 材料: 錫めっき済 銅合金

- NOTES:  
 1. GENERAL TOLERANCE: ±0.25  
 2. MATERIAL: PRE-TIN COPPER ALLOY  
 ③ TRADE MARK: AMP OR TE

1612334-1  
 PART NUMBER

WIRE RANGE 0.13-0.34mm<sup>2</sup> (AWG#22-26) INSULATION DIA  $\phi$ 1.3-2.0mm

DIMENSIONS: mm	
TOLERANCES UNLESS OTHERWISE SPECIFIED:	
0 PLC	± -
1 PLC	± -
2 PLC	± -
3 PLC	± -
4 PLC	± -
ANGLES	± -

DWN	A.OISHI	30 MAY.'02
CHK	M.SHINDO	30 MAY.'02
APVD	M.SHINDO	30 MAY.'02
PRODUCT SPEC	108-5810	
APPLICATION SPEC	114-5306	
WEIGHT	-	

MATERIAL		SEE NOTE		FINISH		SEE NOTE	
TE Connectivity							
NAME							
GRACE INERTIA CONNECTOR 3.5 REC CONTACT(M)							
SIZE	CAGE CODE	DRAWING NO		RESTRICTED TO			
A4	00779	C-1612334		-			
CUSTOMER DRAWING				SCALE	6:1	SHEET	1 OF 1
				REV A1			

THIS DRAWING IS UNPUBLISHED. ALL RIGHTS RESERVED.