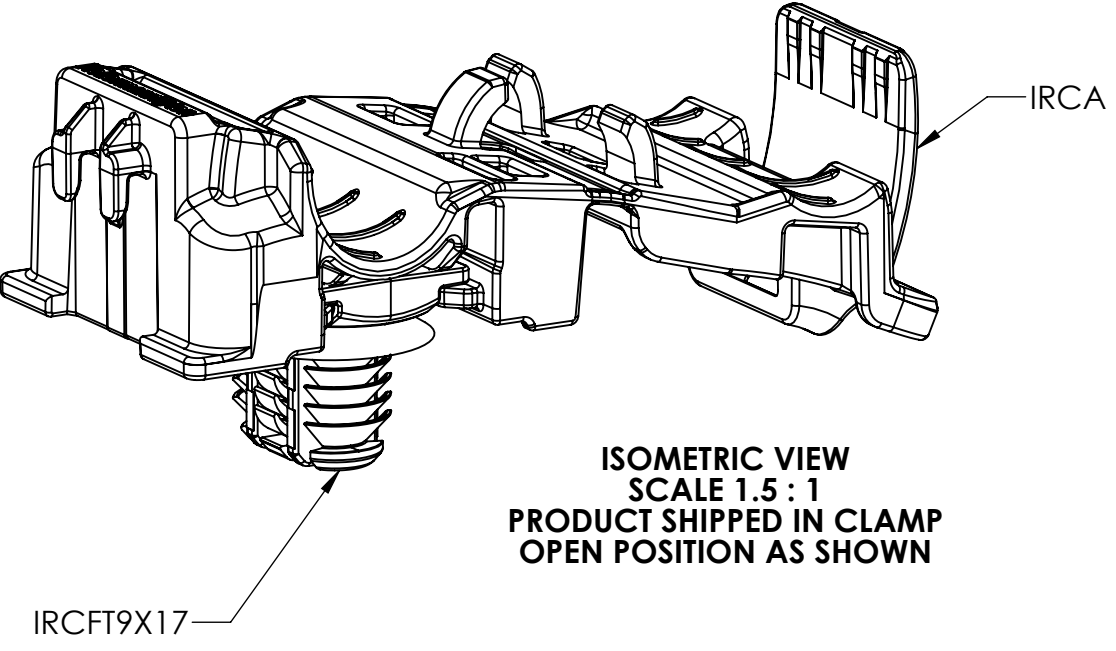
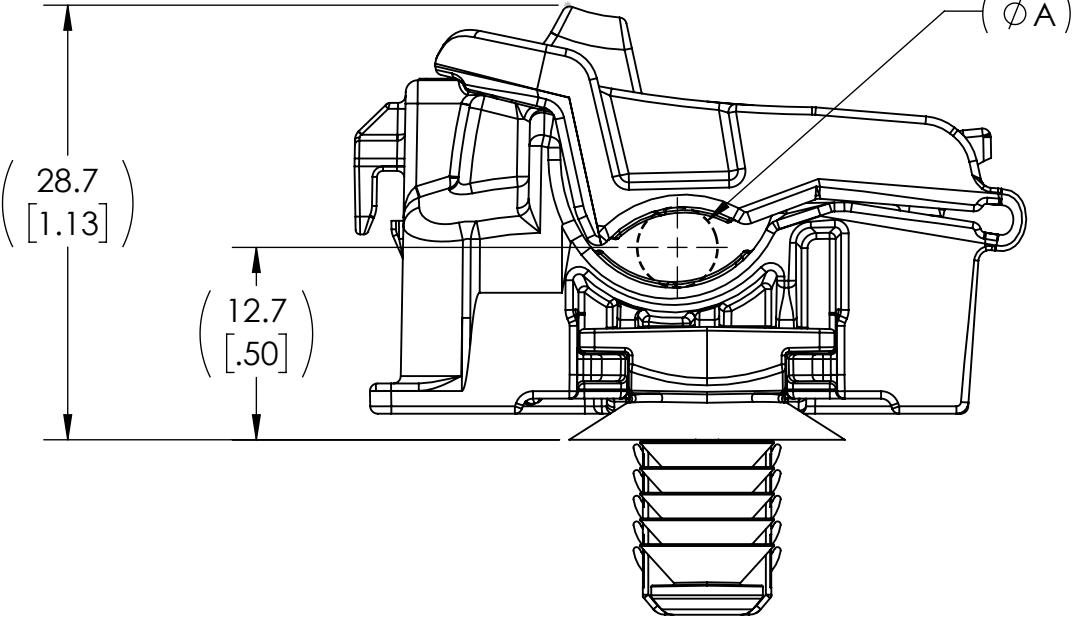
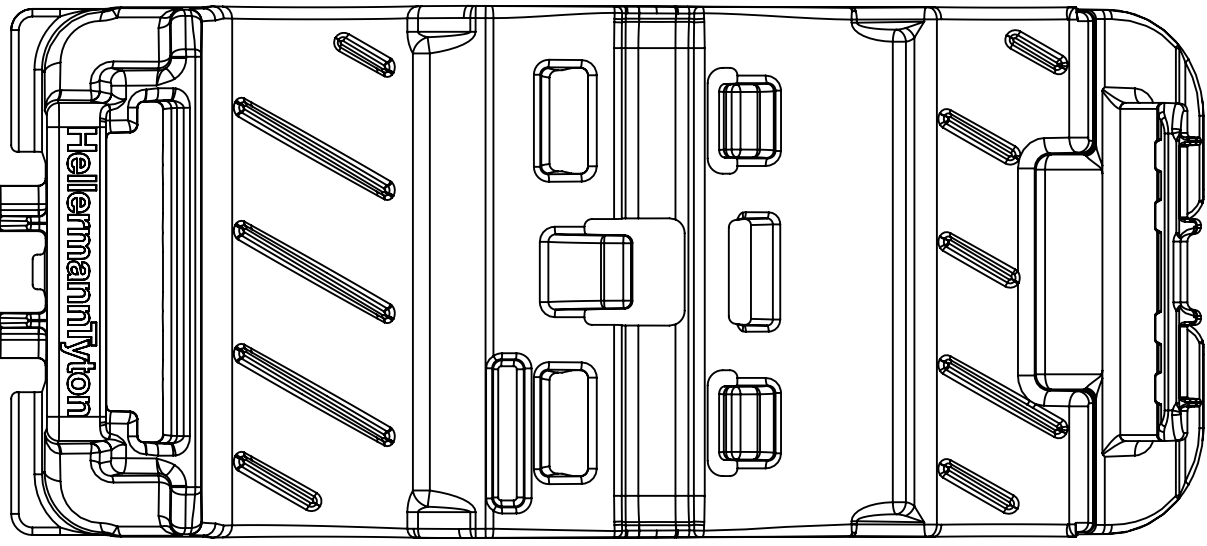


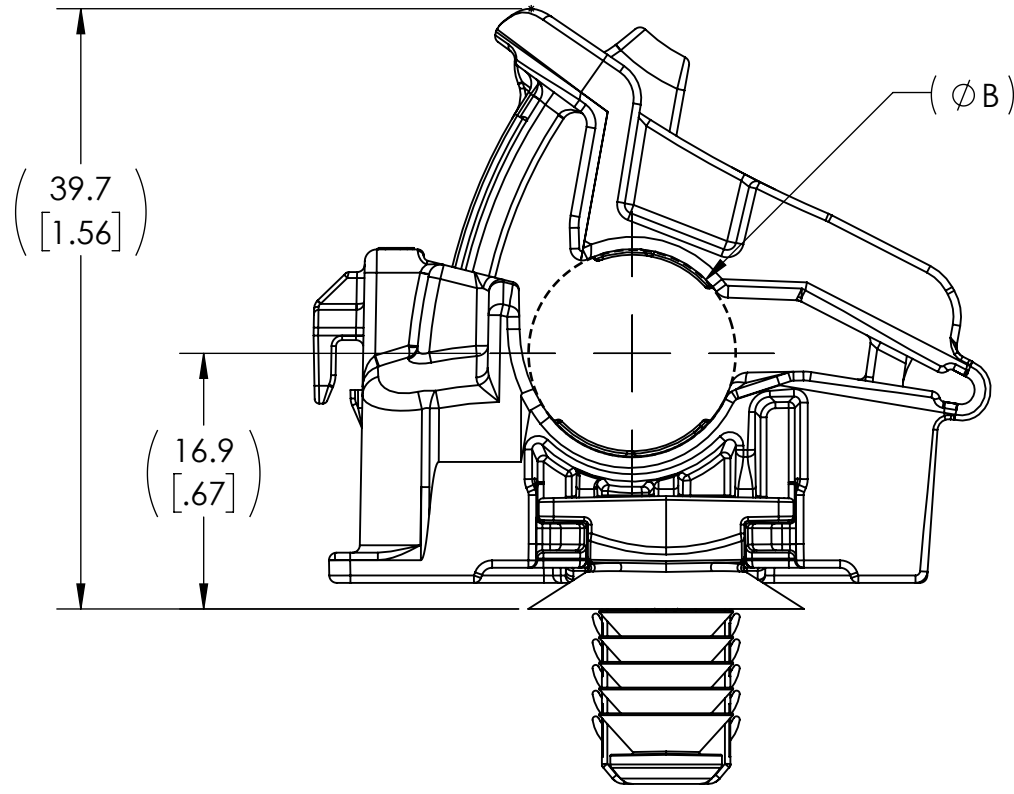
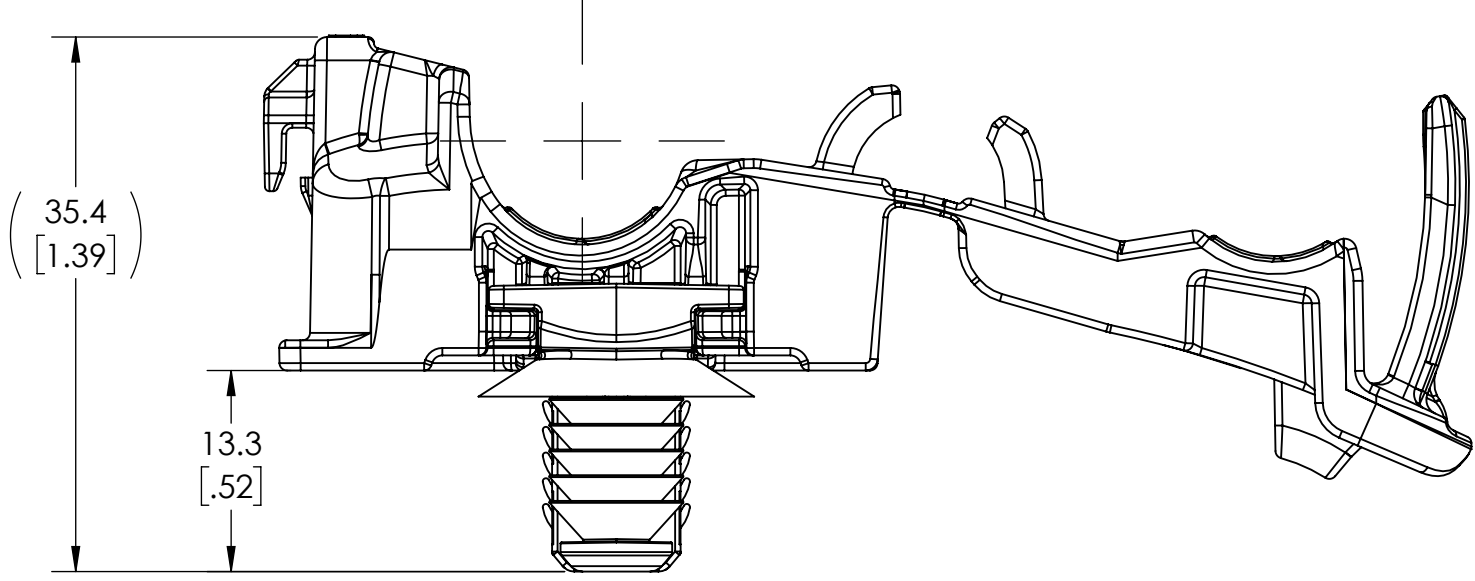
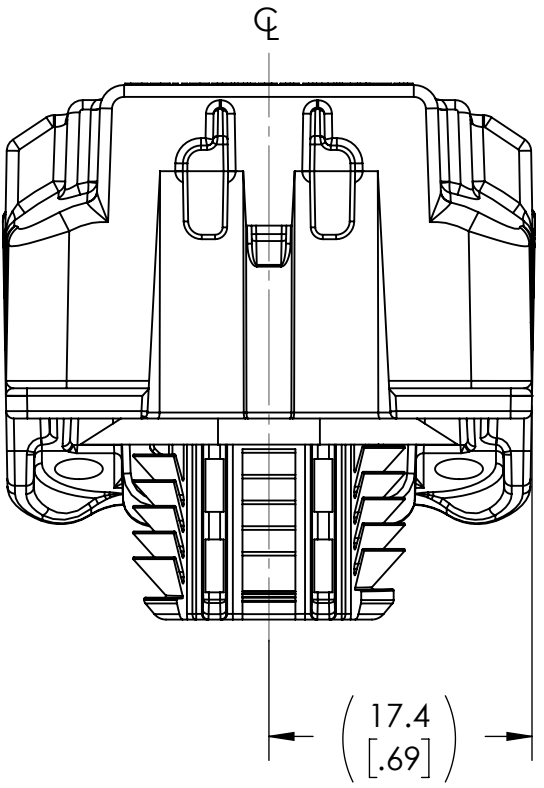
Revision level			Revision Record	Changed	Date	Approved	Date
Drawing	State	Part					
00.0	Design Release		SEE ECN# 015255	MHT	06/28/2019	CTF	06/28/2019



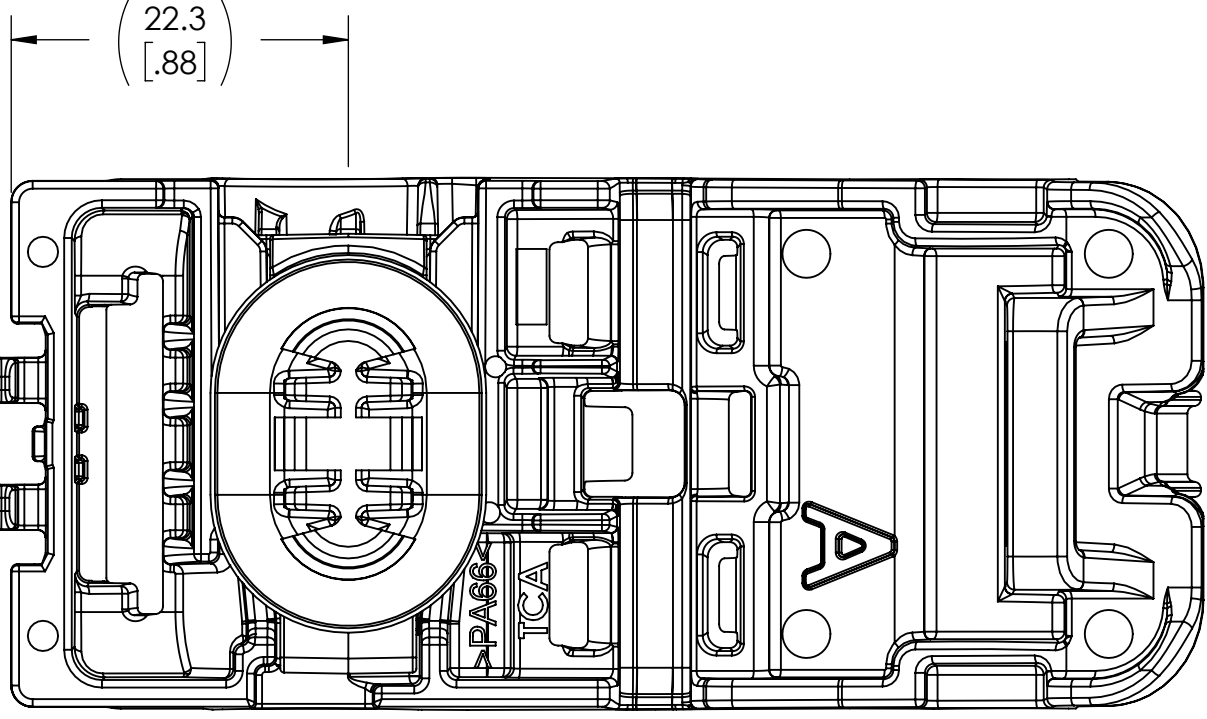
ISOMETRIC VIEW  
SCALE 1.5 : 1  
PRODUCT SHIPPED IN CLAMP  
OPEN POSITION AS SHOWN



MINIMUM BUNDLE DIAMETER



MAXIMUM BUNDLE DIAMETER



- REFERENCE:**
- SHEET METAL THICKNESS RANGE: 0.60mm - 6.75mm
  - APPLICABLE HOLE SIZE:  
A. 9.0 X 17.0mm +0.2/-0.4

GLOBAL PART DESCRIPTION	BUNDLE TYPES	(A) MINIMUM DIAMETER	(B) MAXIMUM DIAMETER	IRCA CLAMP			IRCFT9X17 CONNECTOR CLIP		
				DRAWING	MATERIAL	COLOR	DRAWING	MATERIAL	COLOR
IRCAFT9X17-PA66HIRHSUV-BK	SOFT	6.2 [.24]	13.7 [.54]	16-1639-001-CSU	PA66HIRHSUV	BLACK	16-1645-040-CSU	PA66HIRHSUV	BLACK
	HARD	5.4 [.21]	12.9 [.51]						

Notes	Material	Units: millimeters	The copyright of this drawing is reserved by HellermannTyton. It is issued on condition that it is not reproduced, copied, or disclosed to a third party, either wholly or in part, without the consent of HellermannTyton.	Drawn	MHT	06/24/2019	Article/Type-No	IRCAFT9X17		Scale	2:1
	SEE CHART	Dimension without tolerances details to:		Approved	CTF	06/24/2019	Title	INLINE RATCHET P-CLAMP A WITH 9X17mm OVAL FIR TREE		Project Number	PRP19-0322
		.xxx = ±.013		HellermannTyton North America Email: corp@htamericas.com Web: www.hellermann.tyton.com	Drawing-No	19-0322-101-CSU		Production : Phase	Format	C	
		.xx = ±.13			Sheet	1/1					
.x = ±.3											
None = ±.8											
< = ±0.5*											
Dimension Formatted mm{in}											