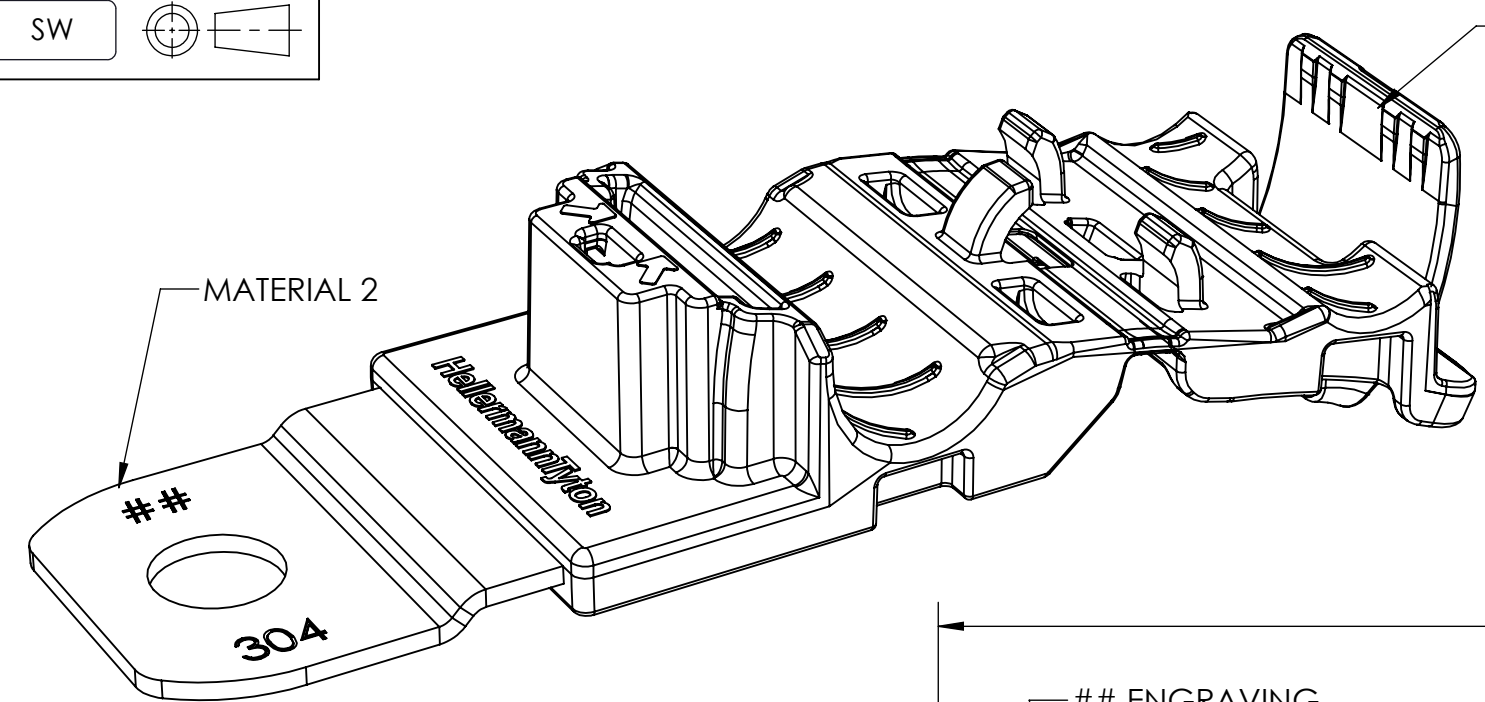
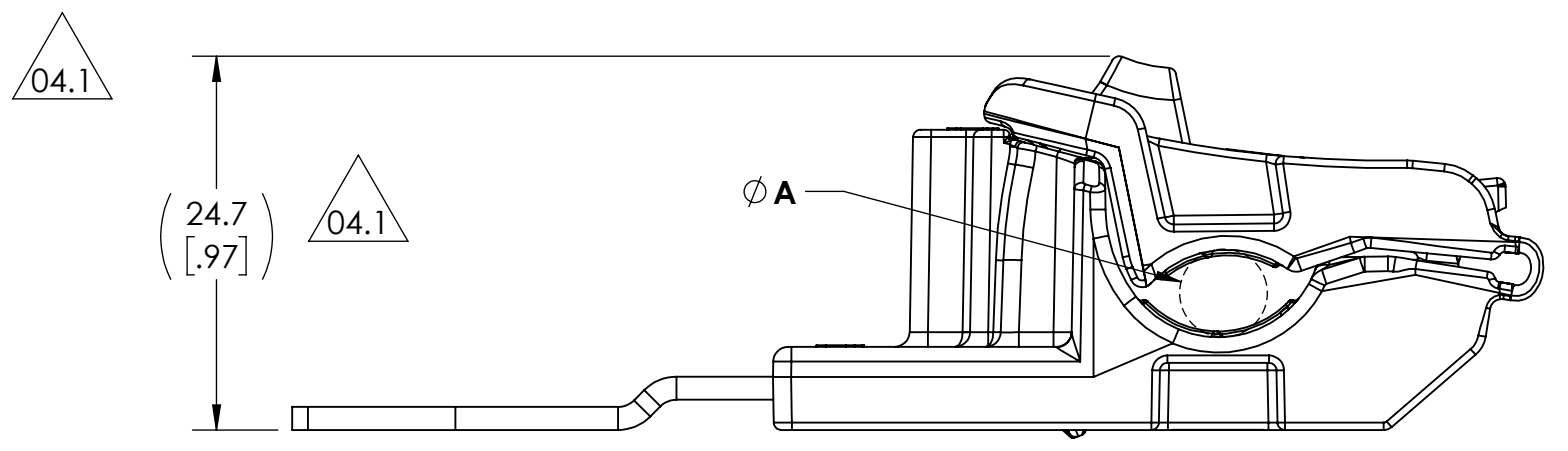
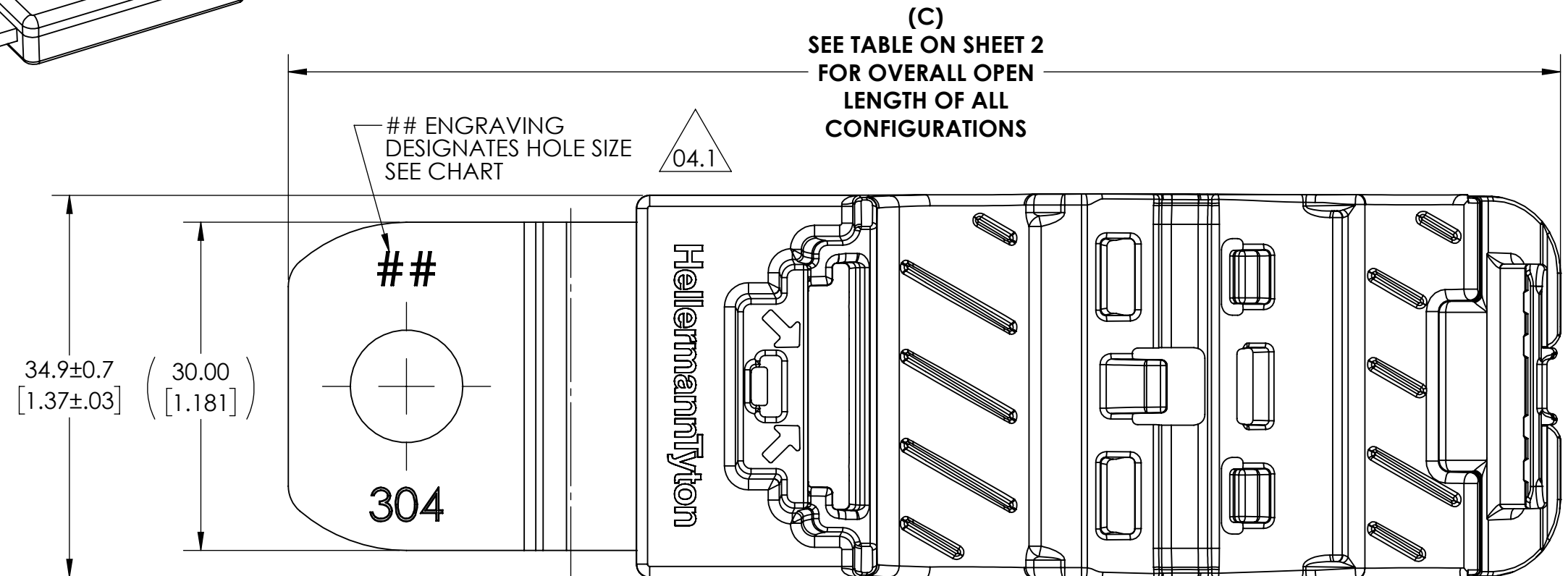


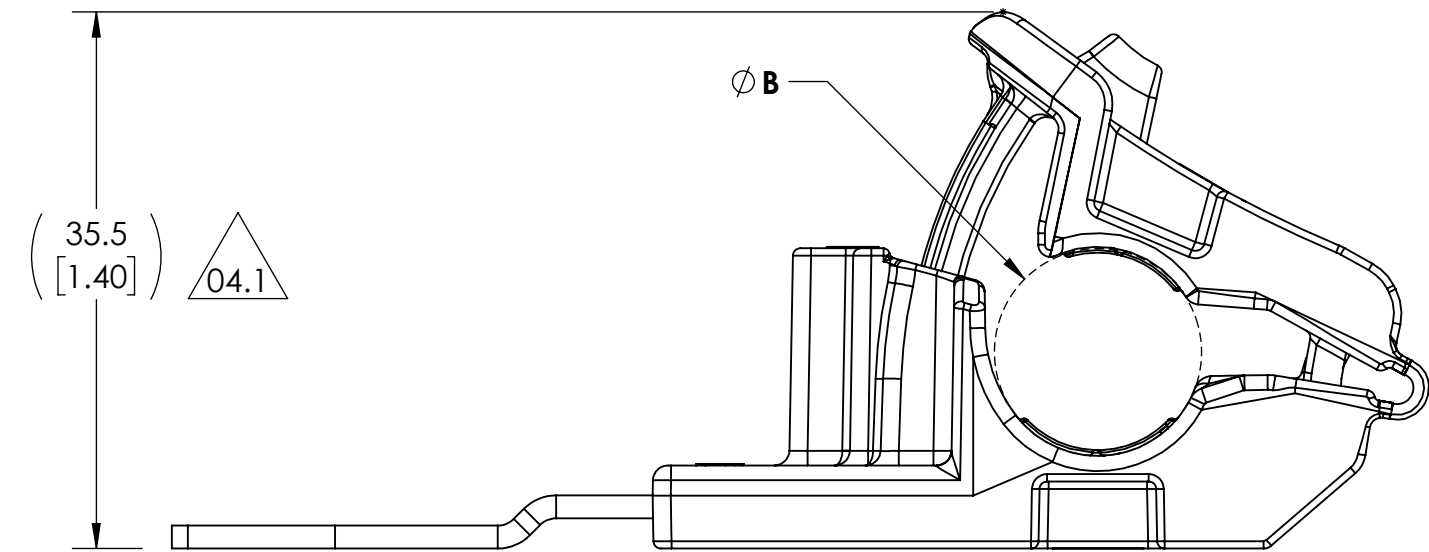
Revision level			Revision Record	Changed	Date	Approved	Date
Drawing	State	Part					
04.1	Design Release	B	SEE ECN# 015124	CTF	05/07/2019	MHT	05/07/2019



**CONFIGURATION 1 SHOWN
PRODUCT SHIPPED IN CLAMP OPEN POSITION**



MINIMUM BUNDLE DIAMETER



MAXIMUM BUNDLE DIAMETER

INITIAL MOLD VALIDATION:

DRY AS MOLDED WITH ≤ 0.5% MOISTURE CONTENT:

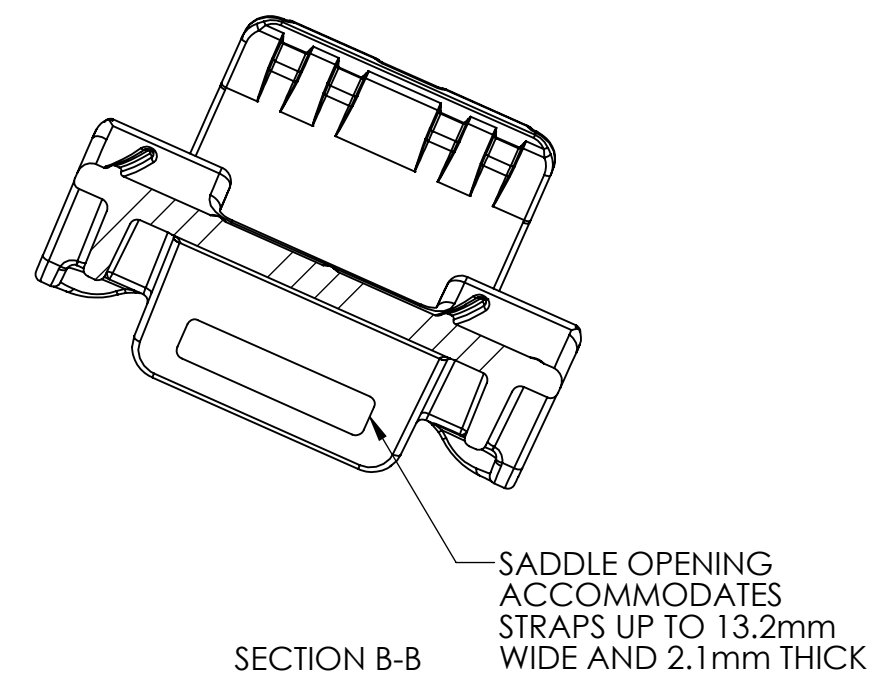
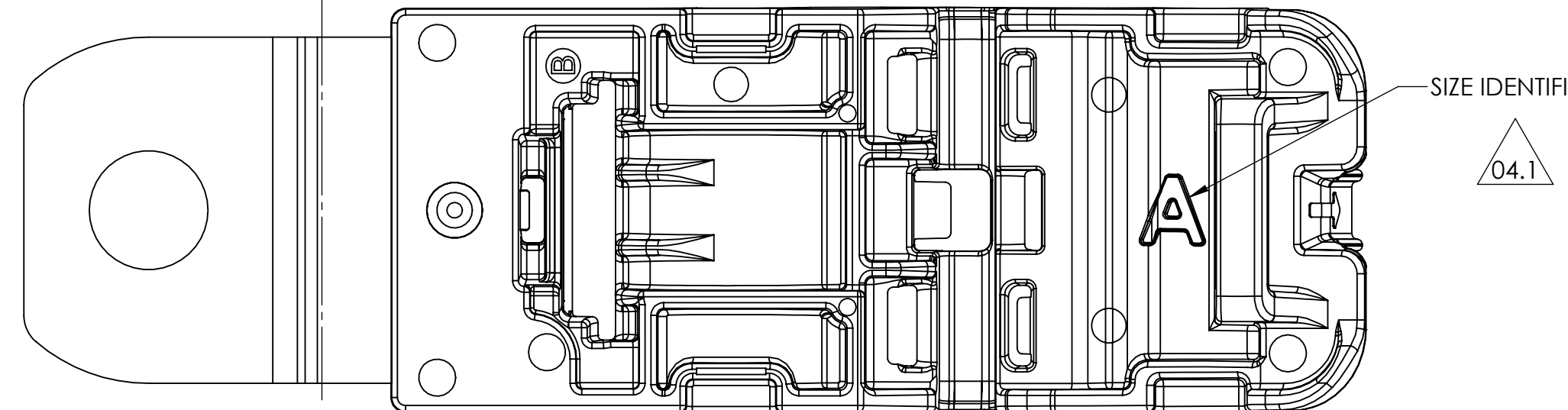
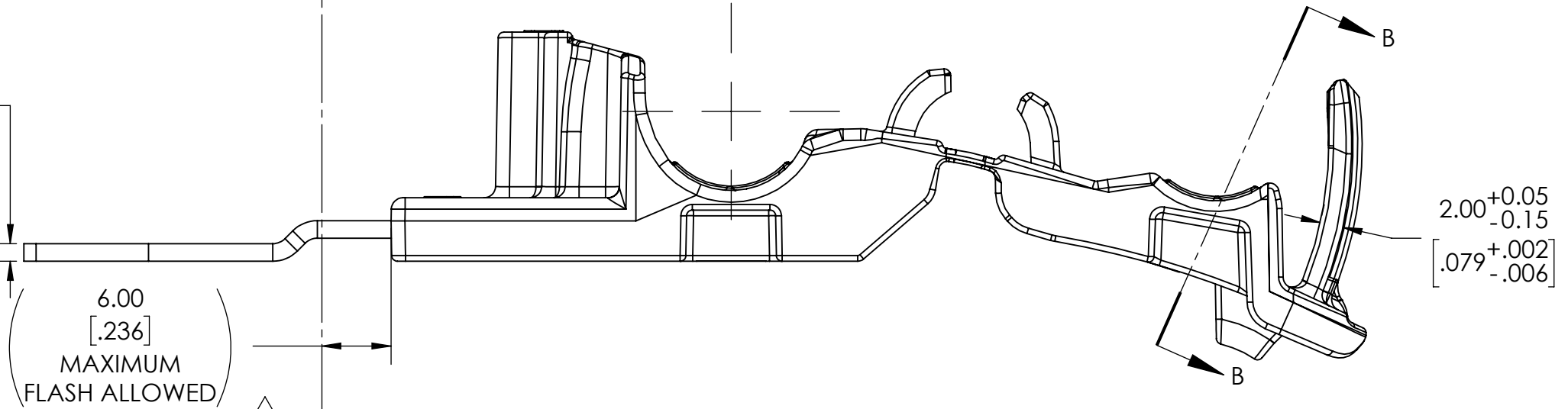
1. ITS-0003 RATCHET CLAMP SOLID MANDREL TEST: EXCEEDED 445 NEWTONS (100 LBS) MIN AT A NOMINAL BUNDLE DIAMETER OF 9.53 [0.375] TESTING ONLY REQUIRED OF CONFIGURATION *RCA180SM10SS, *RCA180LM10SS, AND *RCA90LM10SS *TESTING CAN BE SUBSTITUTED WITH M6, M8, M12 VERSION MOUNTING HOLES
2. ITS-0008 RATCHET CLAMP CLOSE AND RELEASE TEST: EXCEEDED 445 NEWTONS (100 LBS) MIN AT A NOMINAL BUNDLE DIAMETER OF 9.53 [0.375] AFTER CLOSING AND RELEASING 40 TIMES
3. ITS-0014 RATCHET CLAMP LOW TEMP HINGE TEST: NO DAMAGE OCCURRED AFTER BENDING LIVING HINGE 40 TIMES AT -40°C

PERFORMANCE REQUIREMENTS:

DRY AS MOLDED WITH ≤ 0.5% MOISTURE CONTENT:

4. ITS-0001 RATCHET CLAMP SPLIT MANDREL TEST: 445 NEWTONS (100 LBS) MIN AT A NOMINAL BUNDLE DIAMETER OF 9.53 [0.375]
5. MAXIMUM PERCENT REGRIND PERMISSIBLE: 25%
6. MAXIMUM ALLOWABLE FLASH OR MISMATCH TO BE: 0.25mm

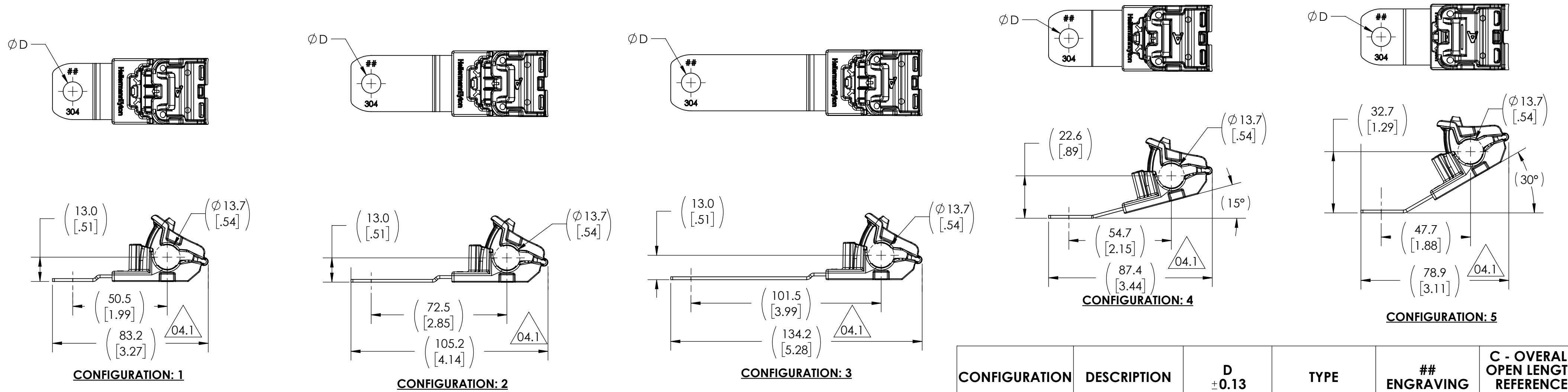
NOTE: TESTING #2, #3 AND #4 CAN BE DONE ON ANY TYPE NUMBER AND WILL APPLY TO ALL OTHER TYPE NUMBERS IN THE TABLE ON SHEET 2



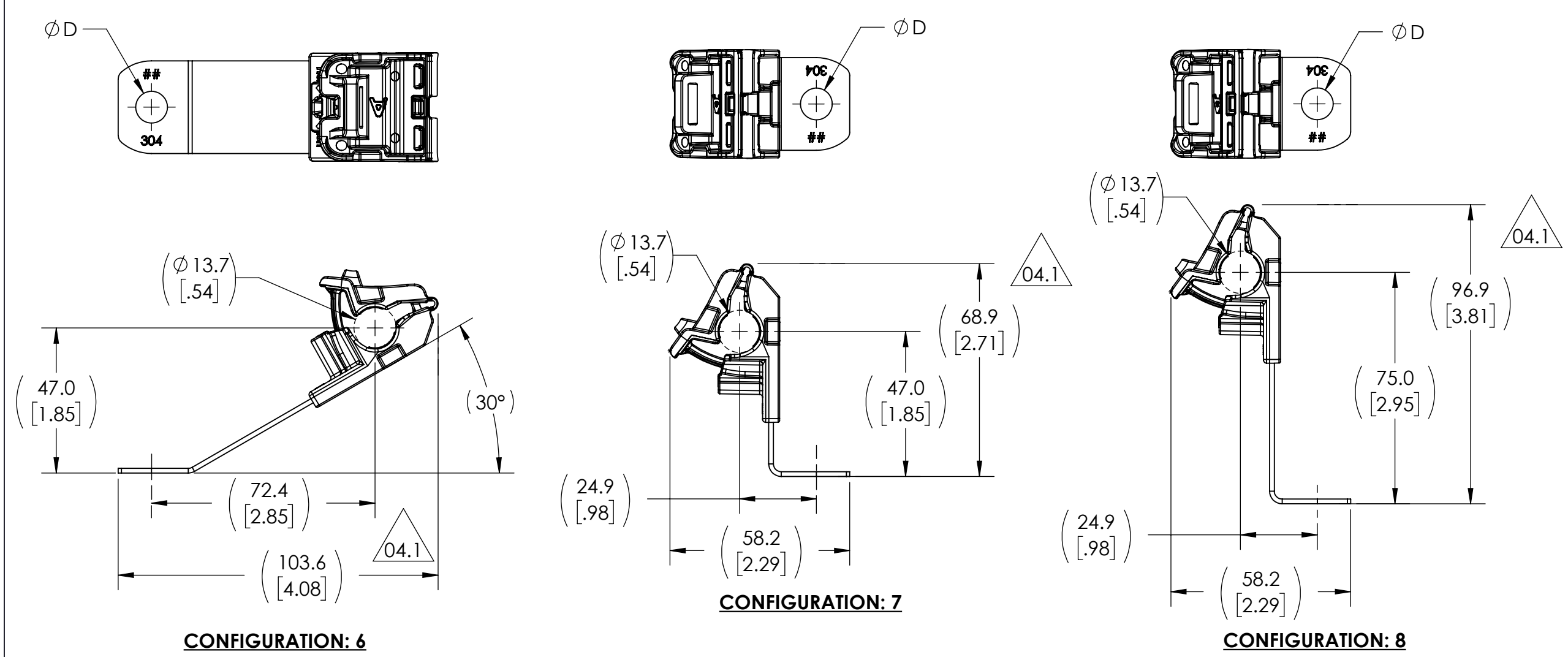
BUNDLE TYPES	A MINIMUM DIAMETER	B MAXIMUM DIAMETER
SOFT	6.2 [.24]	13.7 [.54]
HARD	5.4 [.21]	12.9 [.51]

Notes	Material 1. PA66HIRHSUV 2. STAINLESS STEEL	Units: millimeters Dimension without tolerances details to: .xxx = ±.013 .xx = ±.13 .x = ±.3 None = ±.8 ∠ = ±0.5° Dimension Formatted mm/(in)	The copyright of this drawing is reserved by HellermannTyton. It is issued on condition that it is not reproduced, copied, or disclosed to a third party, either wholly or in part, without the consent of HellermannTyton.	Drawn	CRB	06/28/2016	Article/Type-No SEE CHART (SHEET 2)	Scale 2:1
				Approved	MHT	06/28/2016		
				HellermannTyton North America Email: corp@htamericas.com Web: www.hellermann.tyton.com			Title RCA RATCHET P CLAMP, SIZE A, CLAMP RANGE 6.0 TO 13.7, STAINLESS STEEL	Project Number PRP16-1242
				PRODUCTION: Phase				
				16-1242-102-CSU			Sheet 1/2	

Revision level			Revision Record	Changed	Date	Approved	Date
Drawing	State	Part					
04.1	Design Release	B	SEE ECN# 015124	CTF	05/07/2019	MHT	05/07/2019



**ALL VIEWS IN MAXIMUM BUNDLE DIAMETER
PRODUCT SHIPPED IN CLAMP OPEN POSITION**



CONFIGURATION	DESCRIPTION	D ±0.13	TYPE	## ENGRAVING	C - OVERALL OPEN LENGTH REFERENCE (SEE SHEET 1)
1	180° SHORT	6.50 [0.256]	RCA180SM6SS	6	116.2 [4.58]
		8.31 [0.327]	RCA180SM8SS	8	
		10.29 [0.405]	RCA180SM10SS	10	
		12.95 [0.510]	RCA180SM12SS	12	
2	180° MEDIUM	6.50 [0.256]	RCA180MM6SS	6	138.2 [5.44]
		8.31 [0.327]	RCA180MM8SS	8	
		10.29 [0.405]	RCA180MM10SS	10	
3	180° LONG	6.50 [0.256]	RCA180LM6SS	6	167.2 [6.58]
		8.31 [0.327]	RCA180LM8SS	8	
		10.29 [0.405]	RCA180LM10SS	10	
4	15° SHORT	6.50 [0.256]	RCA15SM6SS	6	124.1 [4.89]
		8.31 [0.327]	RCA15SM8SS	8	
		10.29 [0.405]	RCA15SM10SS	10	
5	30° SHORT	6.50 [0.256]	RCA30SM6SS	6	122.0 [4.80]
		8.31 [0.327]	RCA30SM8SS	8	
		10.29 [0.405]	RCA30SM10SS	10	
6	30° LONG	6.50 [0.256]	RCA30LM6SS	6	150.5 [5.93]
		8.31 [0.327]	RCA30LM8SS	8	
		10.29 [0.405]	RCA30LM10SS	10	
7	90° SHORT	6.50 [0.256]	RCA90SM6SS	6	101.9 [4.01]
		8.31 [0.327]	RCA90SM8SS	8	
		10.29 [0.405]	RCA90SM10SS	10	
8	90° LONG	6.50 [0.256]	RCA90LM6SS	6	129.9 [5.12]
		8.31 [0.327]	RCA90LM8SS	8	
		10.29 [0.405]	RCA90LM10SS	10	
		12.95 [0.510]	RCA90LM12SS	12	

Notes	Material 1. PA66HIRHSUV 2. STAINLESS STEEL	Units: millimeters Dimension without tolerances details to: .xxx = ±.013 .xx = ±.13 .x = ±.3 None = ±.8 < = ±0.5*	The copyright of this drawing is reserved by HellermannTyton. It is issued on condition that it is not reproduced, copied, or disclosed to a third party, either wholly or in part, without the consent of HellermannTyton.	Drawn	CRB	06/28/2016	Article/Type-No SEE CHART	Scale 2:3		
				Approved	MHT	06/28/2016			Title RCA RATCHET P CLAMP, SIZE A, CLAMP RANGE 6.0 TO 13.7, STAINLESS STEEL	Project Number PRP16-1242
				HellermannTyton North America Email: corp@htamericas.com Web: www.hellermann-tyton.com		Drawing-No				
							16-1242-102-CSU	Sheet 2/2		