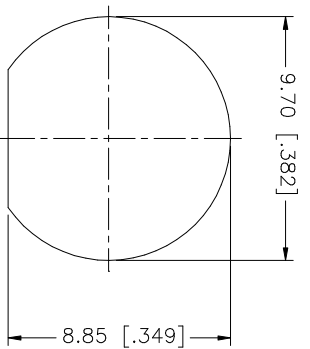
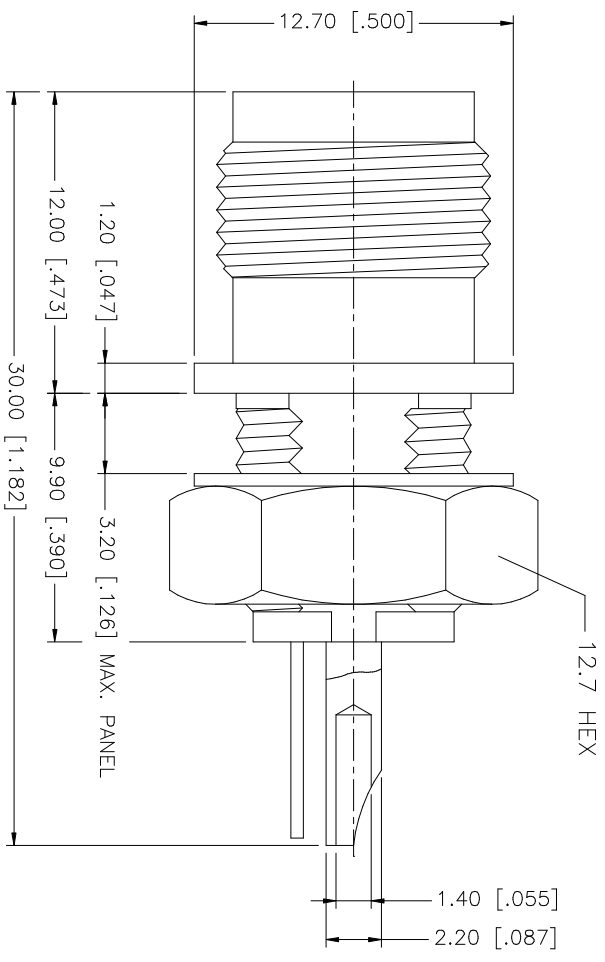


REV.	DATE	DESCRIPTION
NC	02/21/97	INITIAL RELEASE
A	07/27/97	REVISE CONTACT PIN MATERIAL
B	08/30/06	UPDATE DRAWING FORMAT



RECOMMENDED
MOUNTING HOLE

UNLESS OTHERWISE SPECIFIED DIMENSIONS ARE IN MILLIMETERS. DIMENSIONS IN [] ARE IN INCHES AND FOR SUBSTITUTION REFERENCED ONLY.	UNLESS OTHERWISE SPECIFIED TOLERANCES FOR MILLIMETERS ARE:	UNLESS OTHERWISE SPECIFIED TOLERANCES FOR INCHES ARE:	APPROVALS	DATE	PART DESCRIPTION
0.5 - 8mm ± 0.20mm	0.5 - 8mm ± 0.007"	0.020 - .315 = ± 0.007"	DRAWN G.R.S.	08/30/06	Amphenol Connex BULKHEAD RECEPTACLE ISOLATED JACK - 122338
8 - 30mm ± 0.40mm	8 - 30mm ± 0.015"	.315 - 1.180 = ± 0.015"	CHECKED		
30 - 120mm ± 0.50mm	30 - 120mm ± 0.020"	1.180 - 4.724 = ± 0.020"	ISSUED		
			SHEET 1 OF 1		
			CAD FILE C:/122/122338.DWG		
1	CONTACT PIN	BER. COPPER	GOLD	1	PART NO. 122338
2	INSULATOR	NYLON	NATURAL	1	DWG. NO. 122338.DWG
1	BODY	BRASS	NICKEL	1	REV. B
	DESCRIPTION	MATERIAL	FINISH	QTY	SIZE A
					SCALE NA