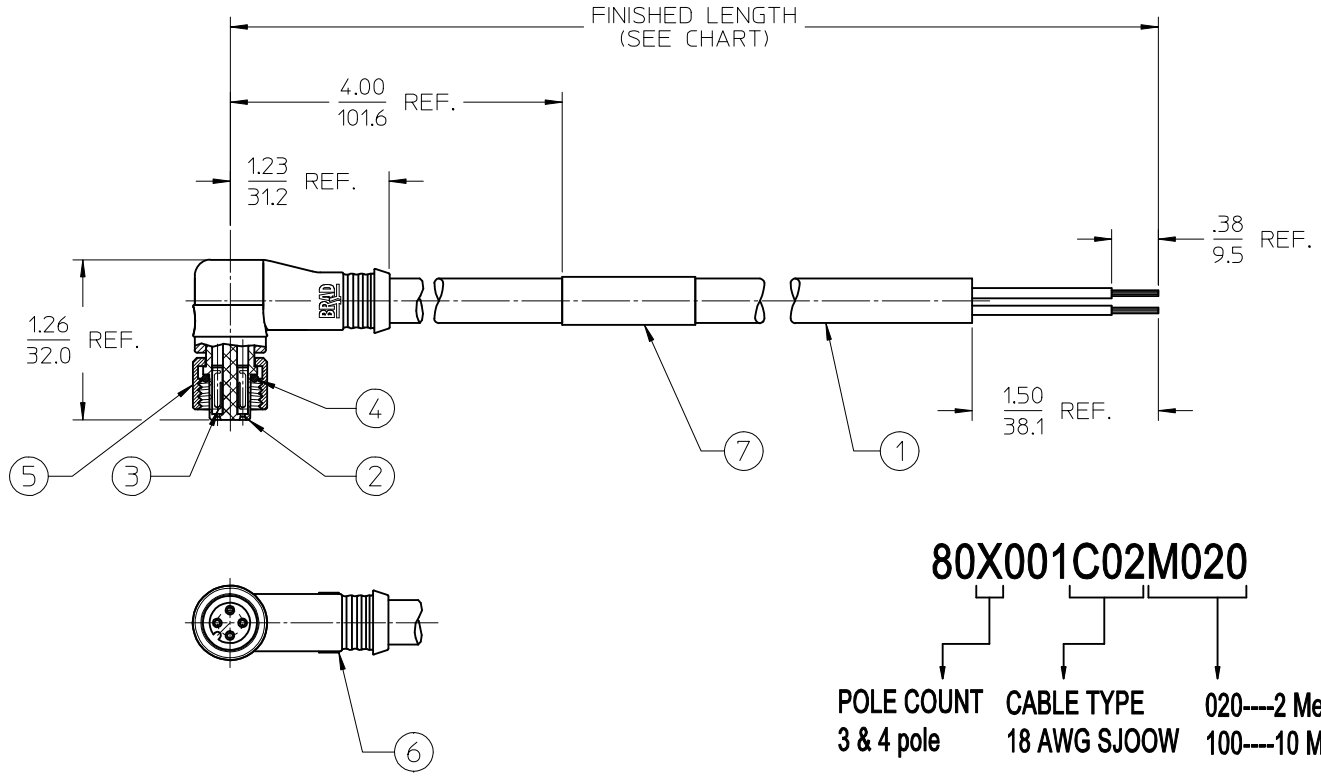
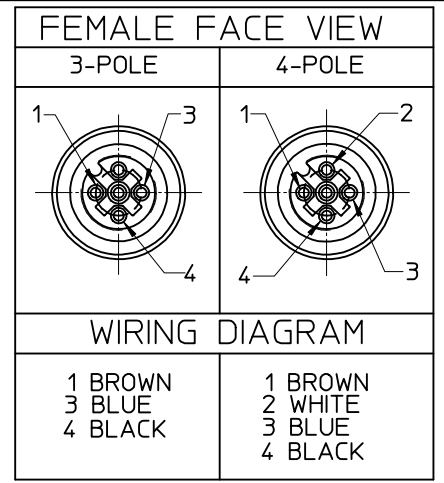


10	9	8	7	6	5	4	3	2	1
MATERIAL NO.	ENGINEERING NO.	FINISHED LENGTH							
1200651227	803001C02M020	6'7" +3.50"-0 (2M +88.9mm-0)							



80X001C02M020

POLE COUNT 3 & 4 pole
CABLE TYPE 18 AWG SJOOW
020---- 2 Meters
100---- 10 Meters

- NOTES:
1. MATERIAL: SEE TABLE
 2. FINISHES: SEE TABLE
 3. ELECTRICAL SPECIFICATIONS
 VOLTAGE RATING: 250V AC/DC
 CURRENT RATING: 4 AMPS
 4. PROTECTION: IP67
 5. ASSEMBLY IS RoHS COMPLIANT BY EXEMPTION
 6. XX REFERES TO CIRCUIT COUNT

7	1	WRAP LABEL	VINYL	BLACK/YELLOW
6	1	MIC OVERMOLD (90 DEG)	TPE	YELLOW
5	1	MIC COUPLING	BRASS	NICKEL/TEFLON PLATED
4	1	O-RING (MATING)	VITON	RED
3	XX	MIC CONTACT SOCKET	Cu ALLOY	GOLD PLATED
2	1	MIC INSERT, FEMALE	PUR	BLACK
1	A/R	CABLE, 18AWG, SJOOW	RUBBER JACKET	YELLOW
ITEM	QTY.	DESCRIPTION	MATERIAL	FINISH

RELEASED EC NO: IPG2015-1246 DR: MNRSTONE 2015/01/09 CHK: B ARDEN 2015/01/14 APPR: BWOODMAN 2015/02/02	QUALITY SYMBOLS ▽=0 ▽=0	GENERAL TOLERANCES (UNLESS SPECIFIED)	DIMENSION STYLE IN/MM	SCALE 1:1	DESIGN UNITS INCH	THIRD ANGLE PROJECTION
		4 PLACES ± --- ± --- 3 PLACES ± --- ± --- 2 PLACES ± --- ± .01 1 PLACE ± 0.3 ± --- 0 PLACE ± --- ± ---	DRAWN BY DATE RSTONE 2015/01/09 CHECKED BY DATE B ARDEN 2015/01/14 APPROVED BY DATE BWOODMAN 2015/02/02	TITLE MMICRO-CHANGE CORDSET 3 & 4 POLE, FEMALE 90D 18 AWG SJOOW CABLE	MATERIAL NO. SEE CHART	DOCUMENT NO. SD-120065-099
DRAFT WHERE APPLICABLE MUST REMAIN WITHIN DIMENSIONS		THIS DRAWING CONTAINS INFORMATION THAT IS PROPRIETARY TO MOLEX INCORPORATED AND SHOULD NOT BE USED WITHOUT WRITTEN PERMISSION				