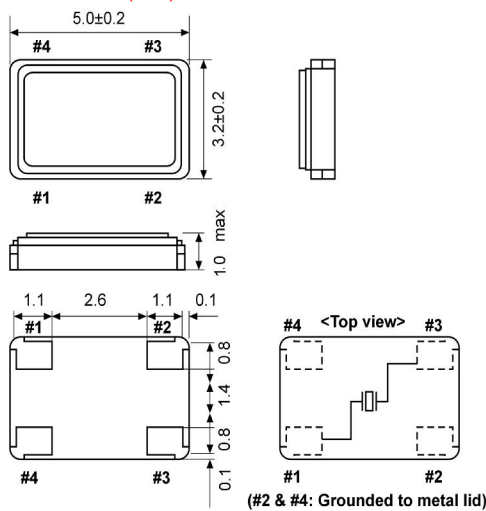


Quartz Crystal

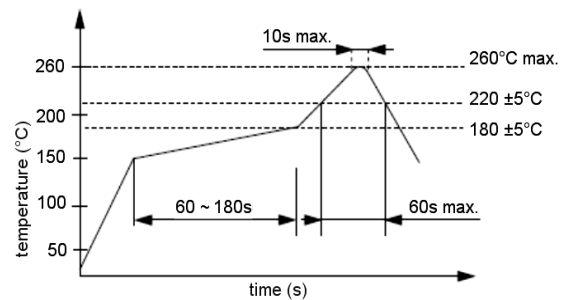
SMD-version

model	KX – 9AE
frequency	13,560 MHz
mode	Fundamental
operating temperature	-40° ~ +105°C
frequency tolerance at +25°C	± 30 ppm
temperature tolerance -40° ~ +105°C	±120 ppm
load capacitance C_L	16 pF
series resonance R1 max.	60 Ohm
aging at 25°C (first year) max.	± 2 ppm
shunt capacitance C_O max.	5,0 pF
drive level in mW max.	0,05
contents of reel	1000 pcs.
part no.	12.89126

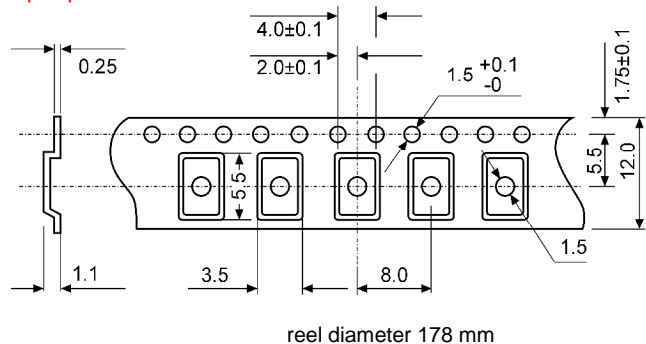
Dimensions (mm):



Reflow soldering condition:



Tape specification:



Suggested soldering pad:

