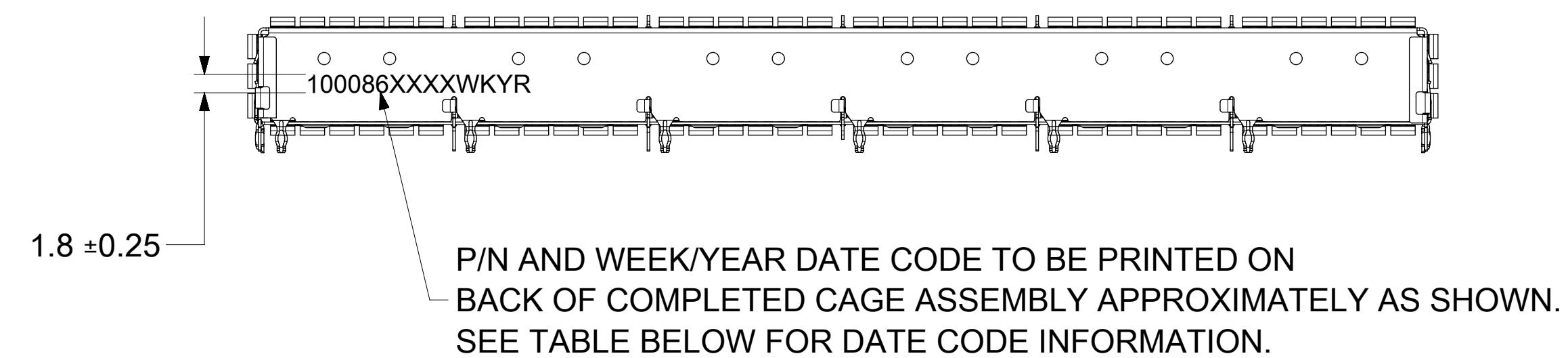
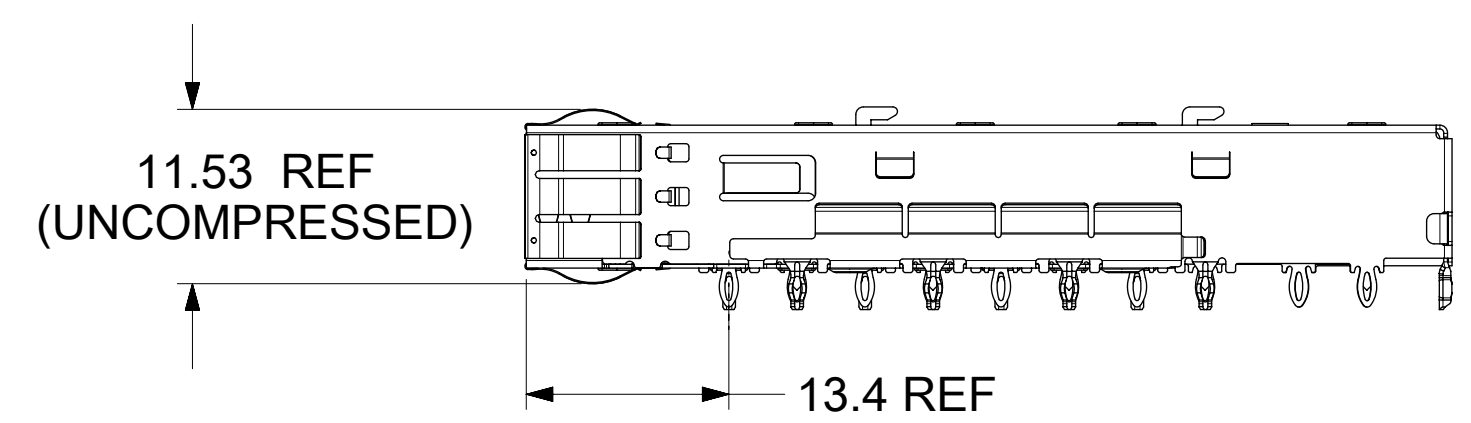
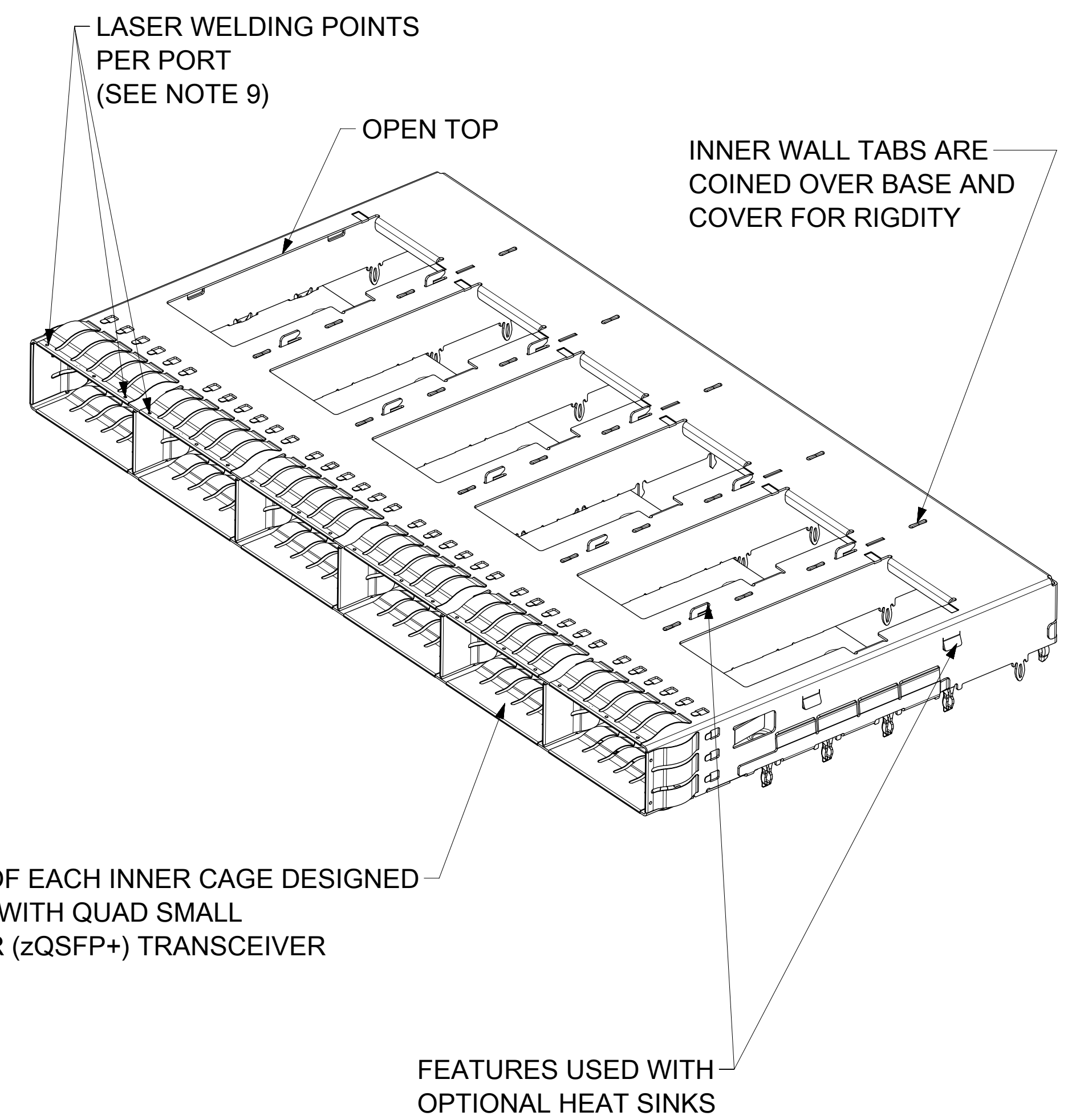
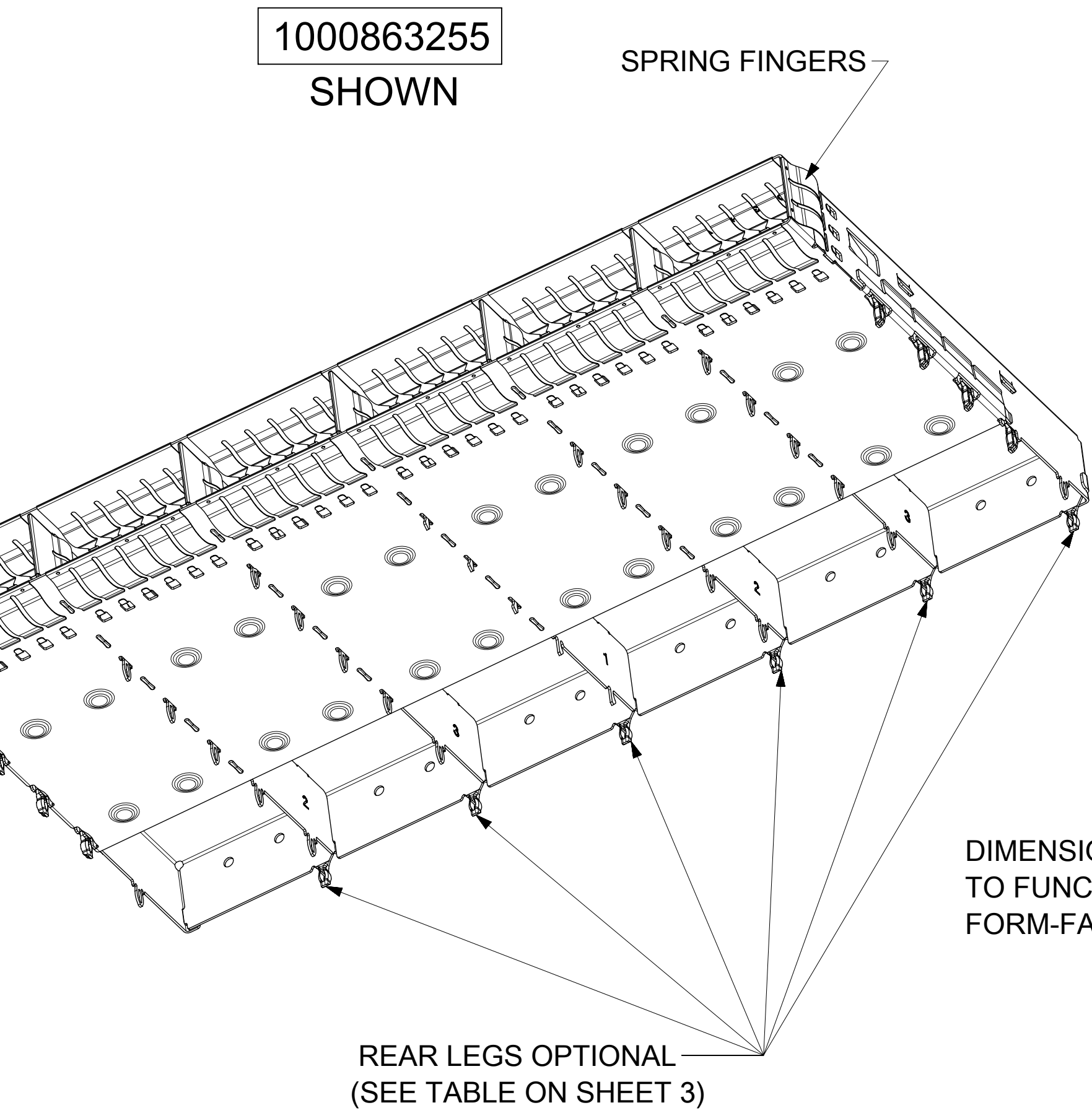
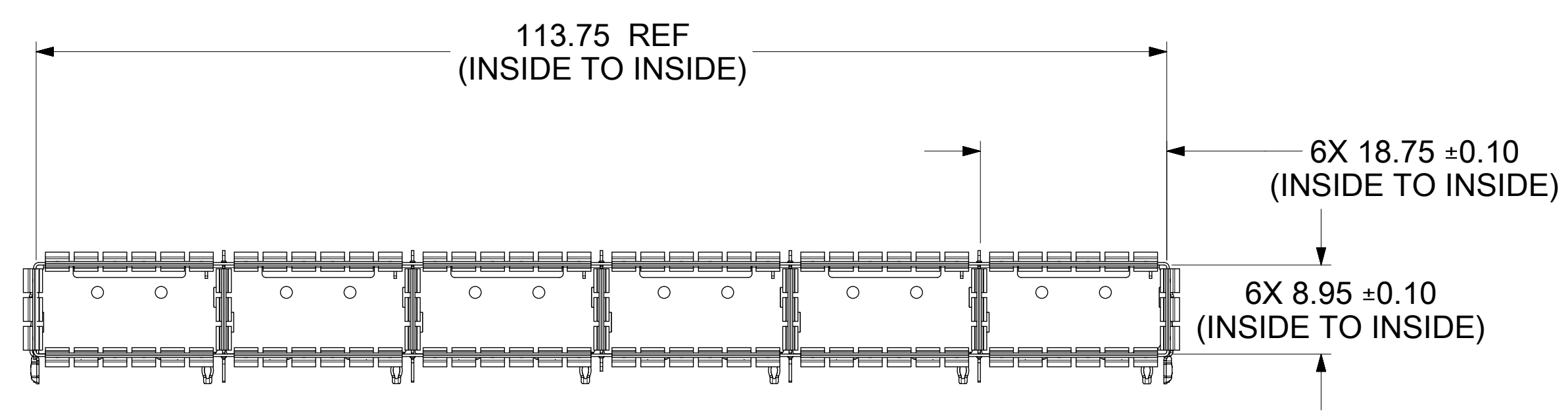
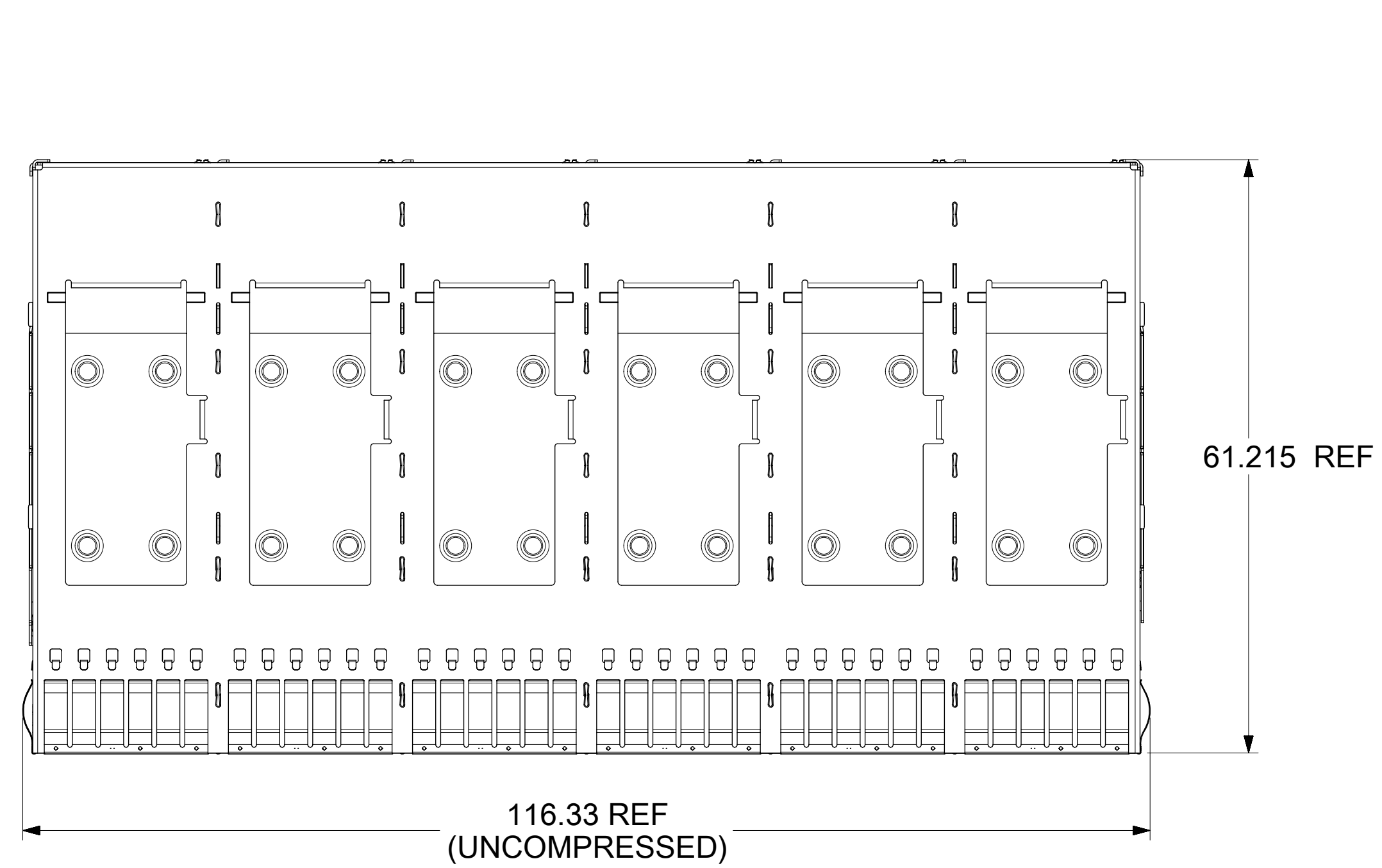


BASE CAGE DETAILS



- NOTES:
- MATERIAL: CAGE: STAINLESS STEEL
CENTER WALLS: STAINLESS STEEL
SPRING FINGERS: STAINLESS STEEL
HEAT SINKS: NICKEL PLATED ALUMINUM
HEAT SINK CLIP: STAINLESS STEEL
LIGHT PIPES: POLYCARBONATE (UL 94-V-0)
 - DIMENSIONS MARKED ∇ ARE CRITICAL TO FUNCTION OF THE PART AND MUST BE INSPECTED
 - DRAWING APPLIES TO ALL P/N'S SHOWN ON PAGE 3
 - DURING INCOMING INSPECTION, CAGE LEG LOCATIONS AND STRAIGHTNESS MUST BE CHECKED USING APPROPRIATE GO - NO GO GAGE
 - DURING INCOMING INSPECTION, CAGE MUST BE INSPECTED TO MAKE SURE LEG CONFIGURATIONS AND PART NUMBERS ARE CORRECT, USE SHEETS 3, 4 AND 5
 - PARTS TO BE INSPECTED PER MOLEX COSMETIC SPEC WI-HP-7-2774 (CLASS B UNLESS OTHERWISE SPECIFIED)
 - PRESS-FIT LEGS 2.44 LONG -
1.57 MINIMUM PCB THICKNESS FOR SINGLE SIDED USE.
3.00 MINIMUM PCB THICKNESS FOR BELLY TO BELLY USE.
 - NO RoHS EXEMPTIONS
 - WELD SPOTS MAY SHOW SLIGHT MATERIAL DISCOLORATION

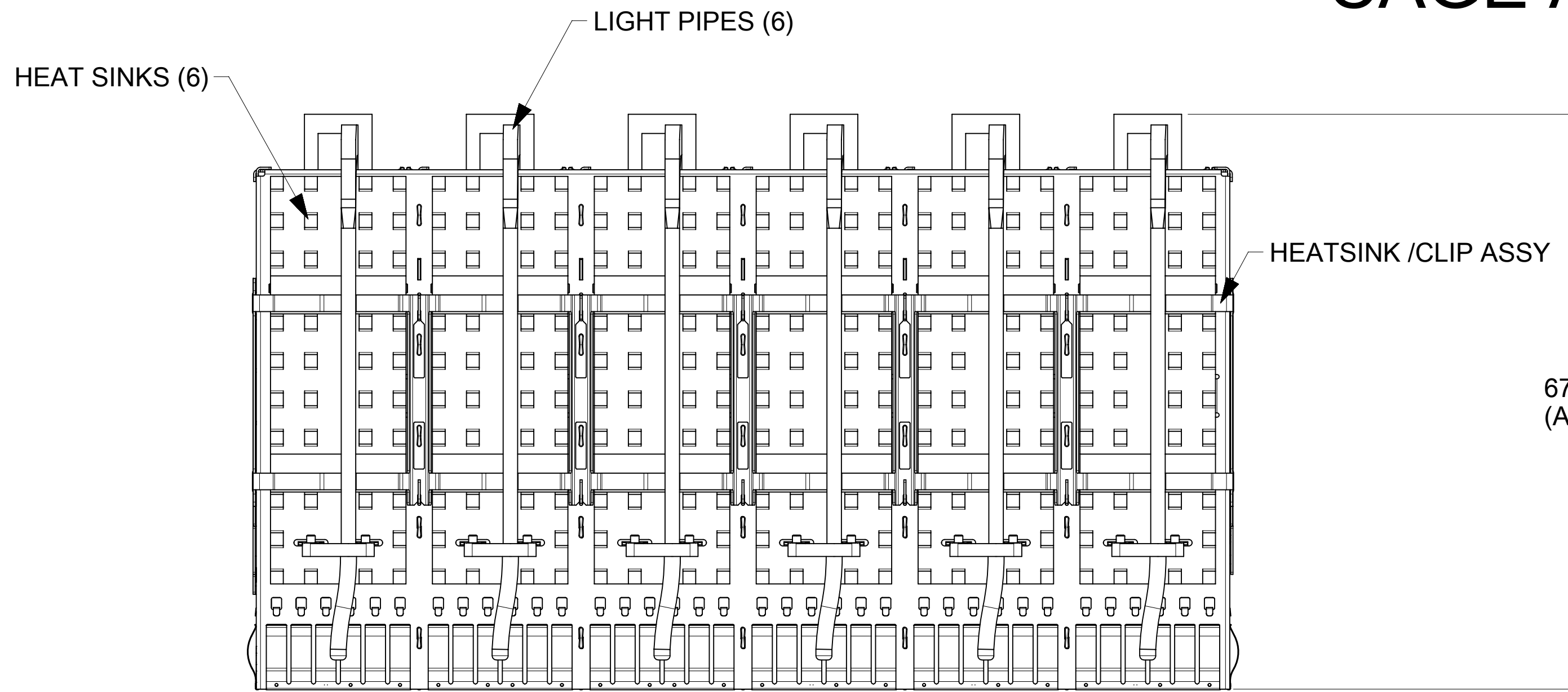
WEEK/YEAR DATE CODE TABLE	
WK	WEEK OF THE YEAR 01 THRU 52 (EXAMPLE: 01= FIRST WEEK OF YEAR 52= LAST WEEK OF YEAR)
YR	18, 19, 20 ETC.. (EXAMPLE: YEAR 2022= 18)

SYMBOLS	THIS DRAWING CONTAINS INFORMATION THAT IS PROPRIETARY TO MOLEX ELECTRONIC TECHNOLOGIES, LLC AND SHOULD NOT BE USED WITHOUT WRITTEN PERMISSION		CURRENT REV DESC: SEE REVISION TABLE	
	DIMENSION UNITS	SCALE		
∇ = 0	mm	2:1		
∇ = 0	GENERAL TOLERANCES (UNLESS SPECIFIED)			
∇ = 0	ANGULAR TOL	± 2.0°		
∇ = 0	4 PLACES	±		
∇ = 0	3 PLACES	±		
∇ = 0	2 PLACES	± 0.13		
∇ = 0	1 PLACE	± 0.25		
∇ = 0	0 PLACES	±		
∇ = 0	DRAFT WHERE APPLICABLE MUST REMAIN WITHIN DIMENSIONS	THIRD ANGLE PROJECTION	DRAWING	SERIES
∇ = 0			D-SIZE	100086
			MATERIAL NUMBER	CUSTOMER
			SEE P/N TABLE	GENERAL MARKET
		DOCUMENT NUMBER		DOC TYPE
		1000863200		PSD
		DOC PART		AS Y
		REVISION		A
			SHEET NUMBER	
			1 OF 7	

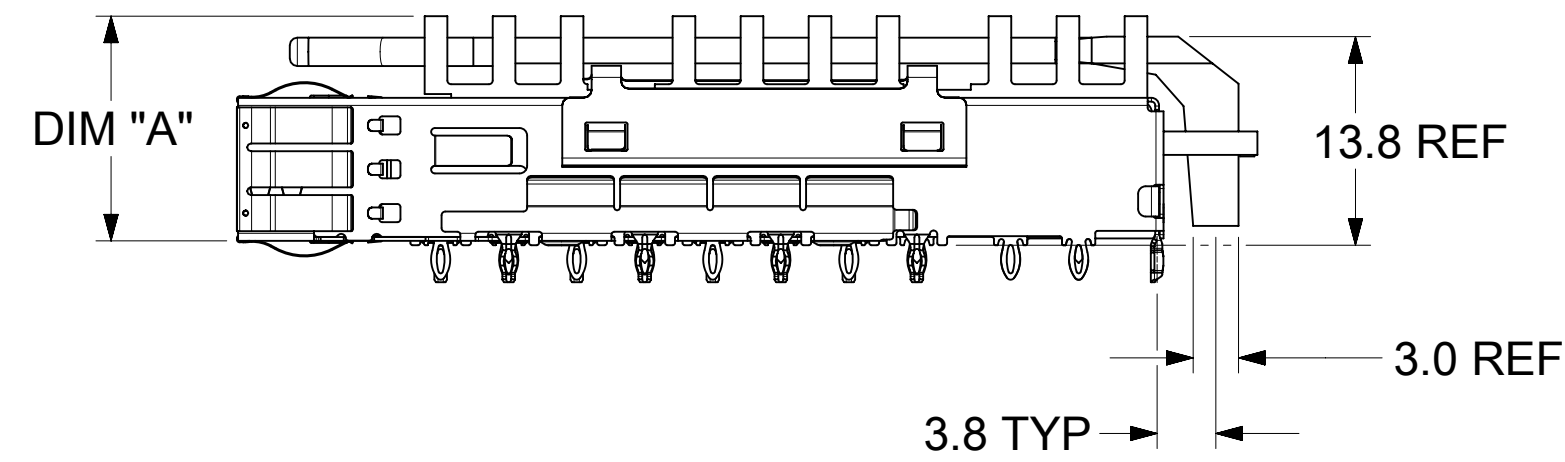
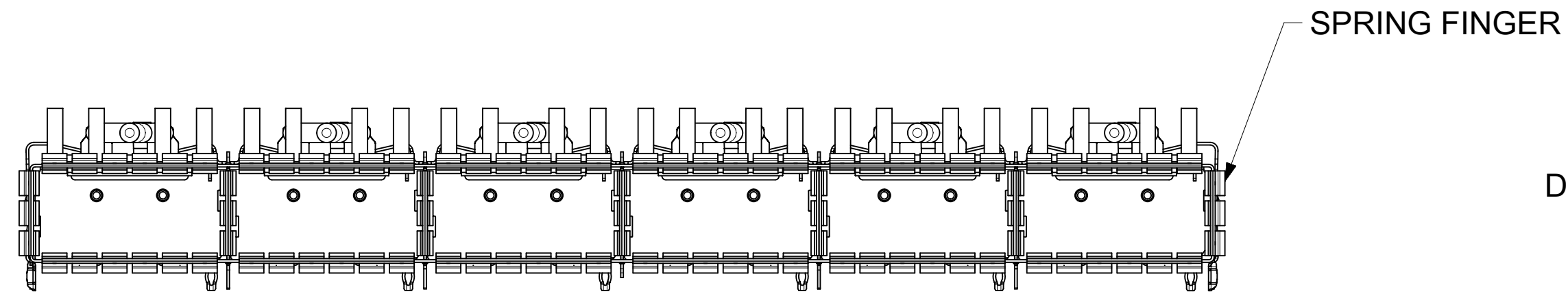
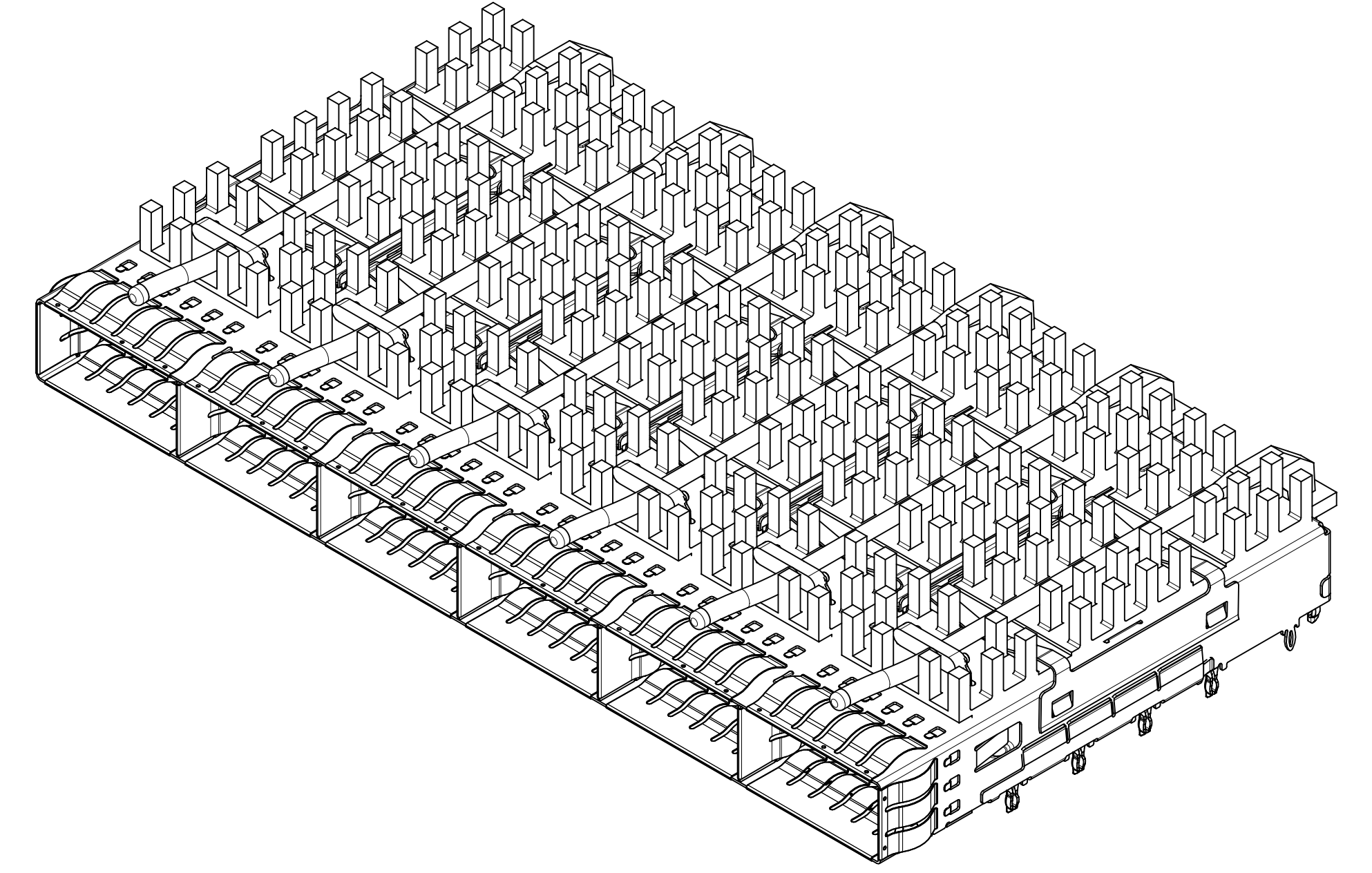
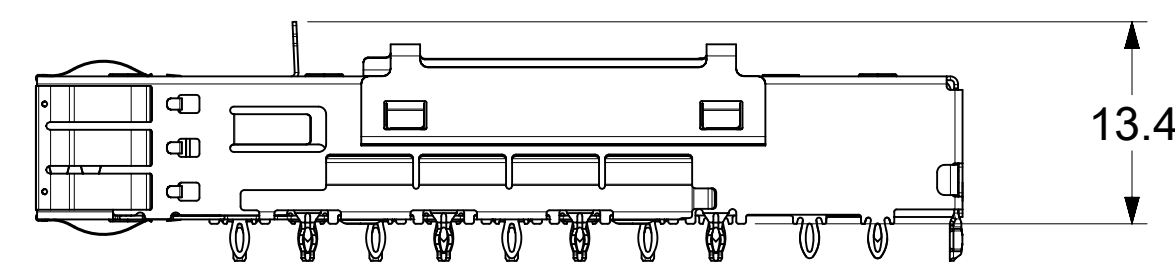
CAGE ASSEMBLY OPTIONS

1000869541

SHOWN



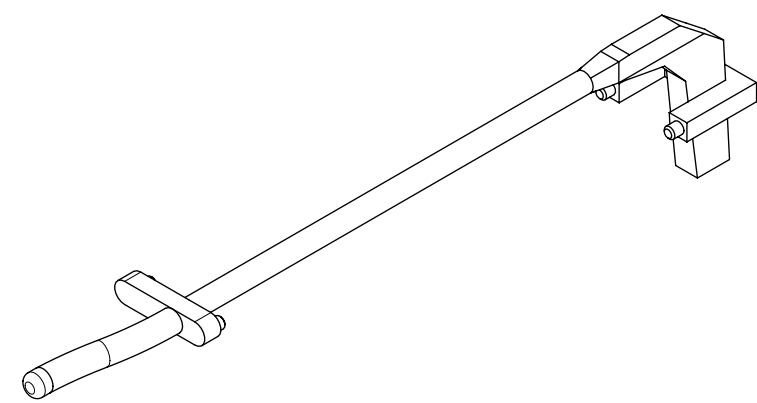
67.43 REF(6)
(APPLIES TO ALL L/P APPLICATIONS)



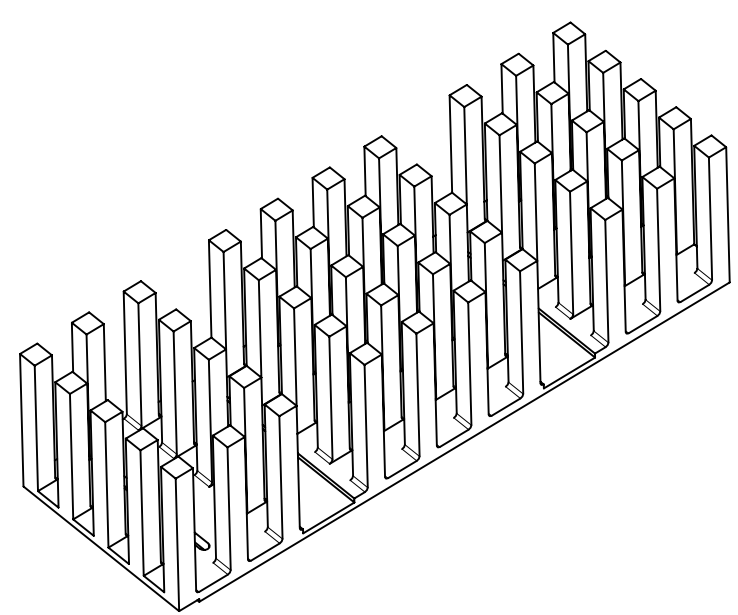
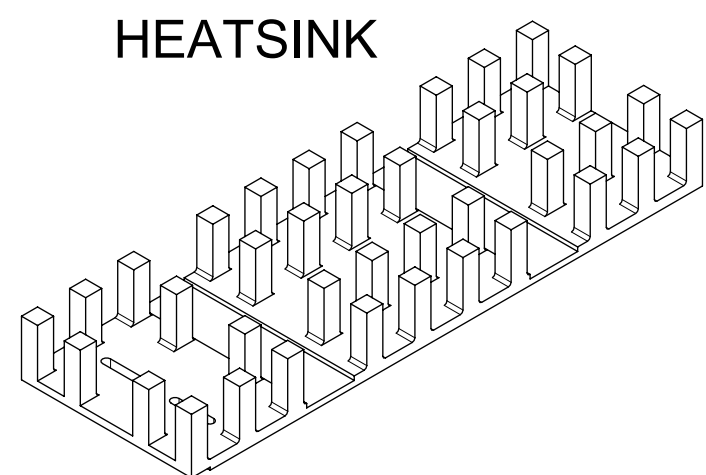
HEATSINK AND LIGHT PIPE COMBINATIONS

HEATSINK
USED
WITHOUT
LIGHTPIPE

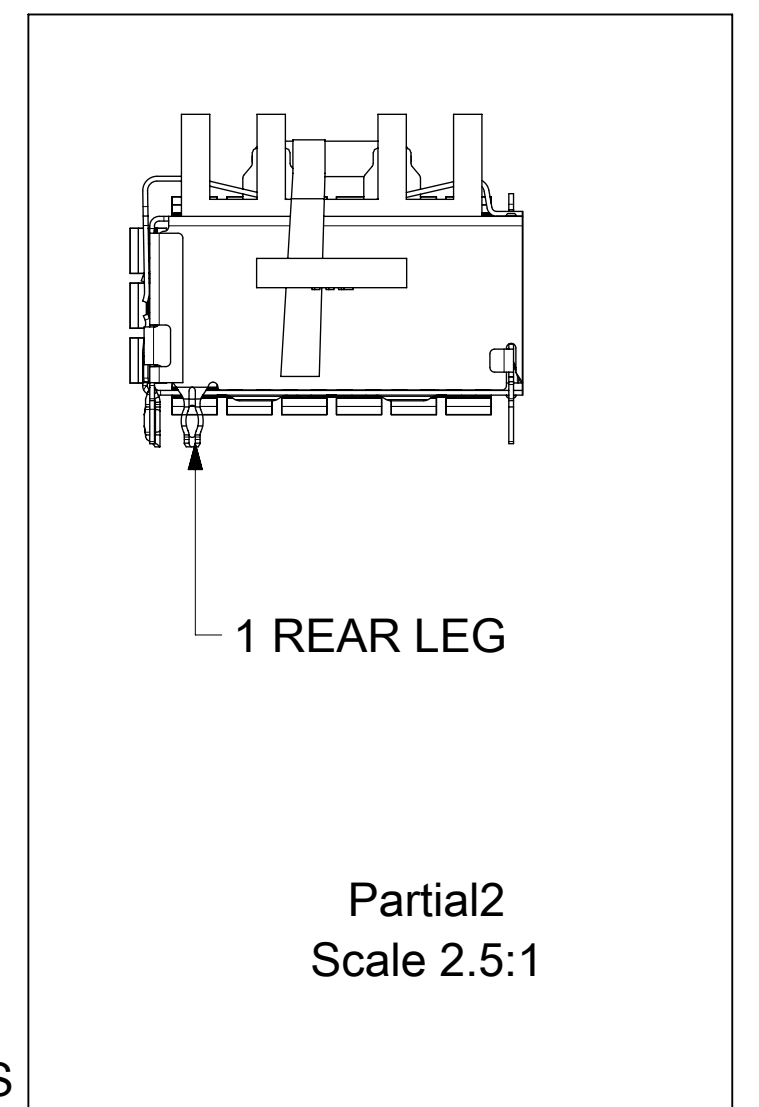
SINGLE LIGHT PIPE



HEATSINK



REAR LEG OPTIONS



HEATSINK HEIGHT OPTIONS

OVERALL HEAT SINK HEIGHT	DIM "A"
PCI	13.7 REF
SAN	16.0 REF
NET	23.0 REF

HEIGHT OF HEAT SINK WITH MODULE INSERTED.
DIMENSION MAY BE LESS DUE TO MODULE AND HEAT SINK VARIATIONS

SYMBOLS	THIS DRAWING CONTAINS INFORMATION THAT IS PROPRIETARY TO MOLEX ELECTRONIC TECHNOLOGIES, LLC AND SHOULD NOT BE USED WITHOUT WRITTEN PERMISSION		CURRENT REV DESC: SEE REVISION TABLE	
DIMENSION UNITS	SCALE			
▽ = 0	mm	2:1		
▽ = 0	GENERAL TOLERANCES (UNLESS SPECIFIED)			
▽ = 0	ANGULAR TOL	± 2.0°		
▽ = 0	4 PLACES	±	EC NO: 698881	
▽ = 0	3 PLACES	±	DRWN: SHIVAA4 2022/02/17	
▽ = 0	2 PLACES	± 0.13	CHK'D: TKUMARKC 2022/03/10	
▽ = 0	1 PLACE	± 0.25	APPR: JCHIANG 2022/03/17	
▽ = 0	0 PLACES	±	INITIAL REVISION:	
⊠ = 0	DRAFT WHERE APPLICABLE MUST REMAIN WITHIN DIMENSIONS		DRWN: SHIVAA4 2022/02/17	
⊠ = 0	THIRD ANGLE PROJECTION		APPR: JCHIANG 2022/03/17	
⊠ = 0	DRAWING		SERIES	
⊠ = 0	D-SIZE		100086	
DOCUMENT NUMBER		DOC TYPE	DOC PART	REVISION
1000863200		PSD	ASY	A
MATERIAL NUMBER		CUSTOMER		SHEET NUMBER
SEE P/N TABLE		GENERAL MARKET		2 OF 7

molex

1X6 ZQSFP+ GANGED CAGE, W/ SUS TAB TYPE
SPRING FINGER, H/S & L/P OPTIONS

PRODUCT CUSTOMER DRAWING

DOCUMENT NUMBER DOC TYPE DOC PART REVISION

1000863200

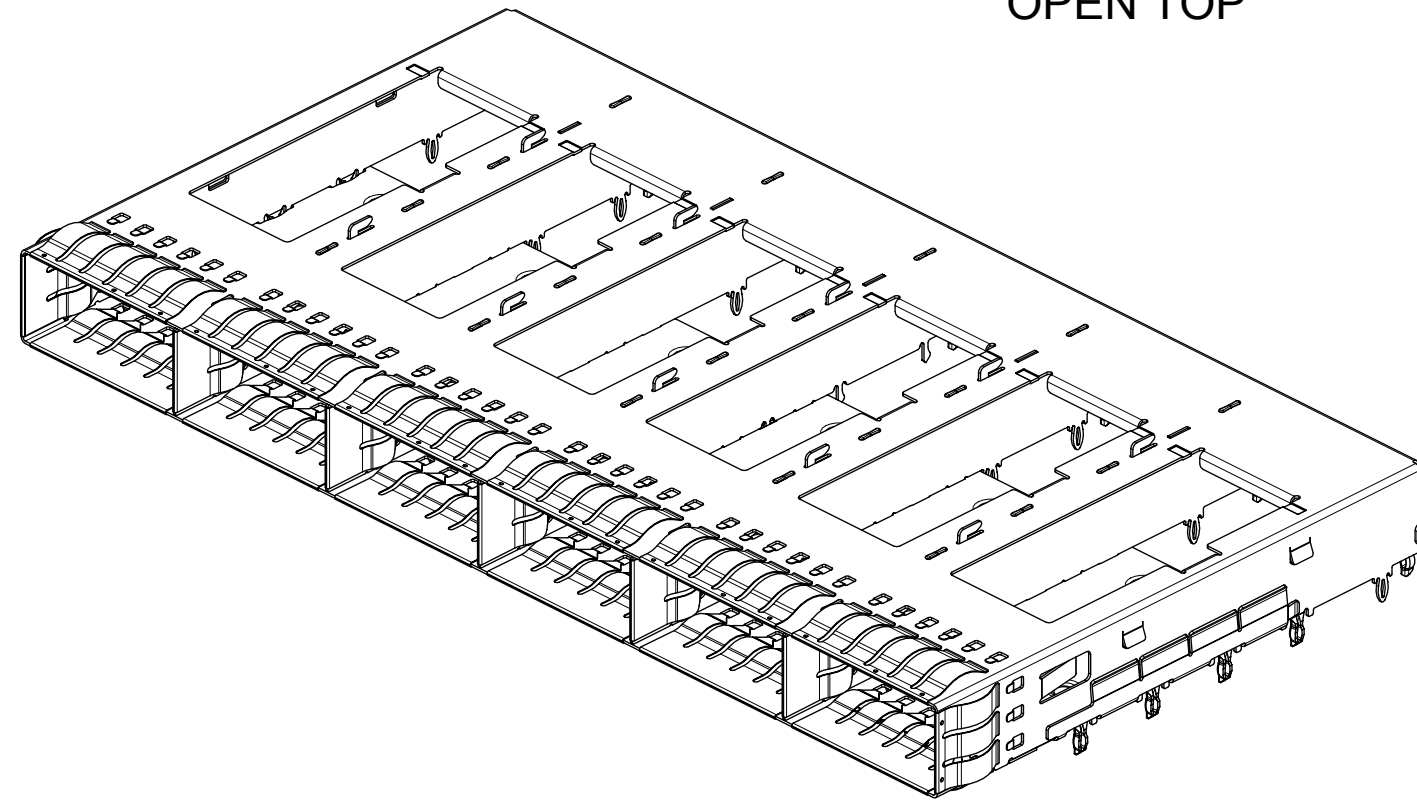
PSD ASY A

MATERIAL NUMBER CUSTOMER SHEET NUMBER

SEE P/N TABLE GENERAL MARKET 2 OF 7

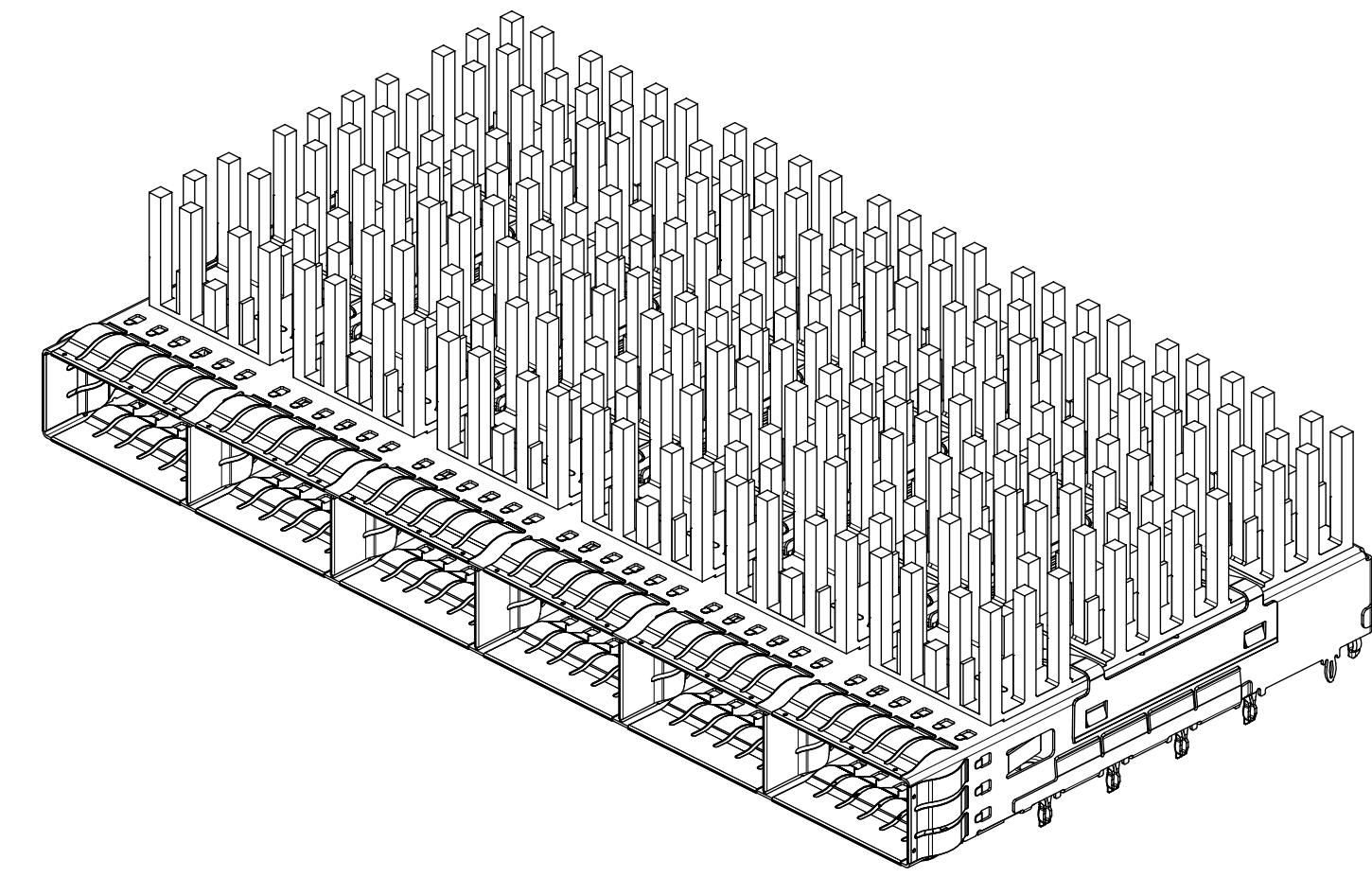
PART NUMBER SELECTION

NO HEATSINKS
NO LIGHT PIPES
OPEN TOP



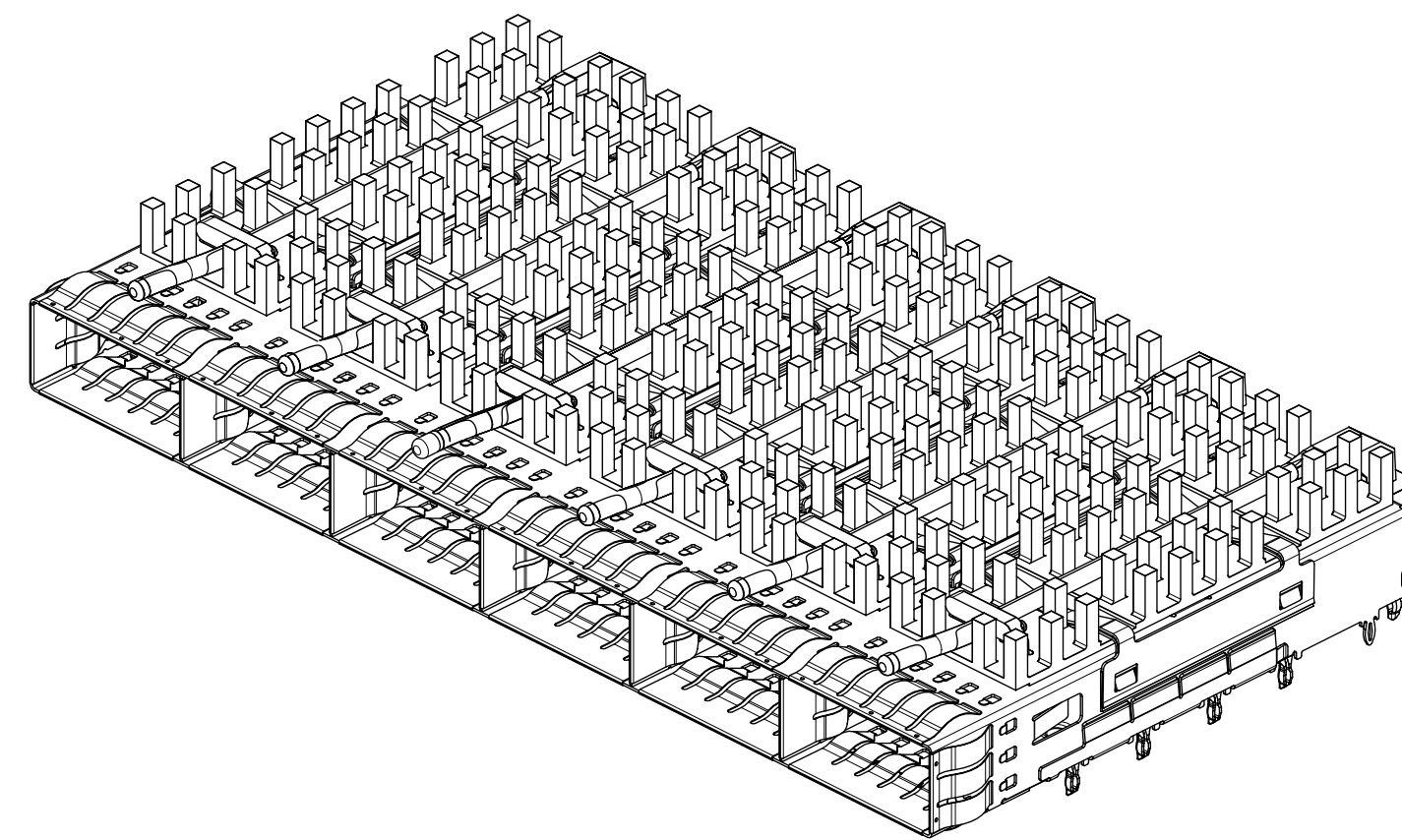
MOLEX P/N W/ SPRING FINGERS	# OF REAR LEGS PER PORT	LIGHT PIPE FEATURE
1000863255	1	NO

WITH HEATSINKS
NO LIGHT PIPES



MOLEX P/N	HEATSINKS	# OF REAR LEGS PER PORT
1000863345	NET	1

WITH HEATSINKS
SINGLE LIGHT PIPES

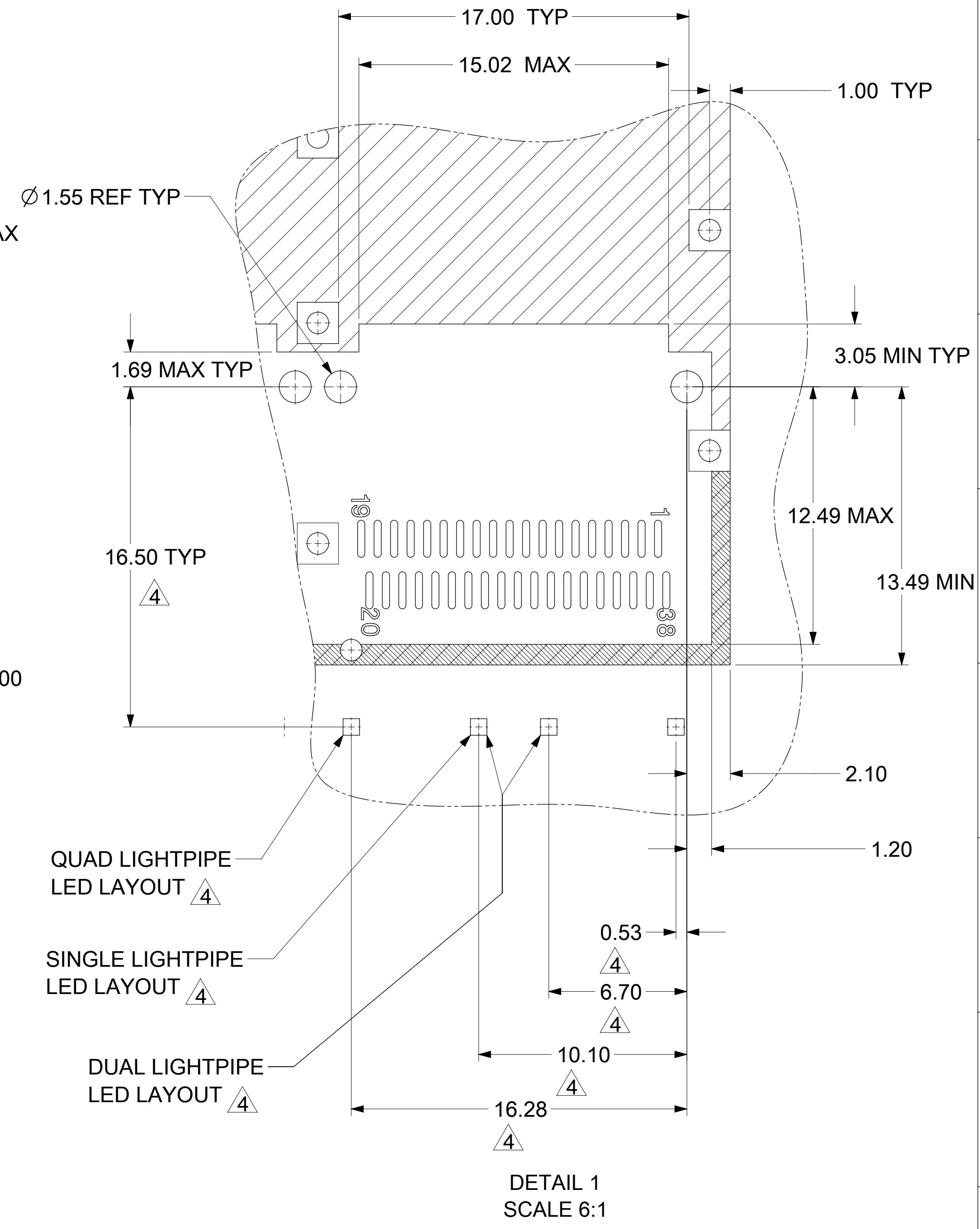
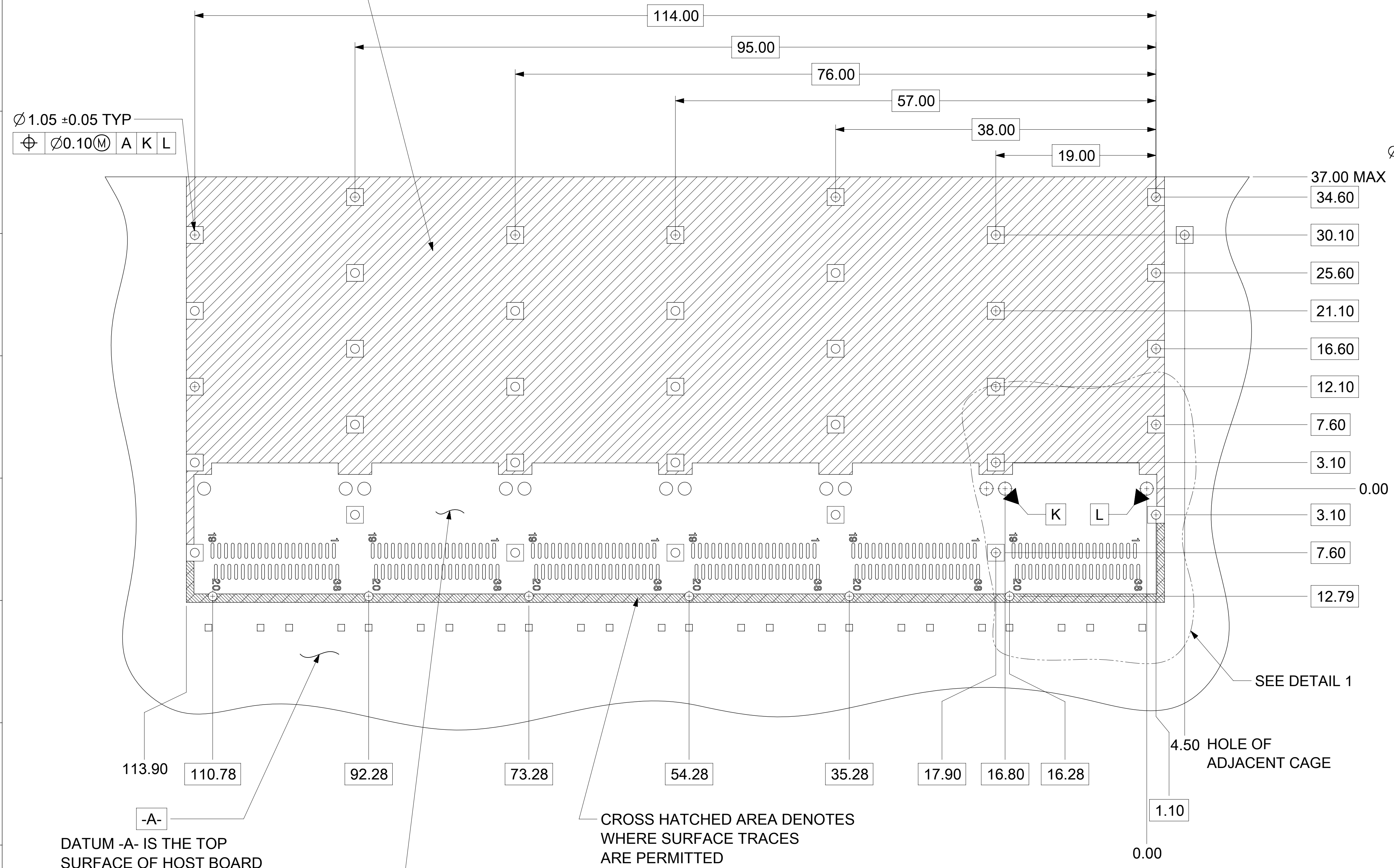


MOLEX P/N	LIGHTPIPES	HEATSINKS	#OF REAR LEGS PER PORT
1000869541	SINGLE	SAN	1

SYMBOLS	THIS DRAWING CONTAINS INFORMATION THAT IS PROPRIETARY TO MOLEX ELECTRONIC TECHNOLOGIES, LLC AND SHOULD NOT BE USED WITHOUT WRITTEN PERMISSION		CURRENT REV DESC: SEE REVISION TABLE				
	DIMENSION UNITS	SCALE					
▽ = 0	mm	1.5:1	EC NO: 698881 DRWN: SHIVAA4 2022/02/17 CHK'D: TKUMARKC 2022/03/10 APPR: JCHIANG 2022/03/17 INITIAL REVISION: DRWN: SHIVAA4 2022/02/17 APPR: JCHIANG 2022/03/17		1X6 ZQSFP+ GANGED CAGE, W/ SUS TAB TYPE SPRING FINGER, H/S & L/P OPTIONS		
▽ = 0	GENERAL TOLERANCES (UNLESS SPECIFIED)						
▽ = 0	ANGULAR TOL ± 2.0°				PRODUCT CUSTOMER DRAWING DOCUMENT NUMBER: 1000863200 DOC TYPE: PSD DOC PART: ASY REVISION: A		
▽ = 0	4 PLACES	±					
▽ = 0	3 PLACES	±					
▽ = 0	2 PLACES	± 0.13	MATERIAL NUMBER: 100086 CUSTOMER: GENERAL MARKET		SHEET NUMBER: 3 OF 7		
▽ = 0	1 PLACE	± 0.25					
▽ = 0	0 PLACES	±	DRAFT WHERE APPLICABLE MUST REMAIN WITHIN DIMENSIONS		THIRD ANGLE PROJECTION		
▽ = 0	DRAFT WHERE APPLICABLE MUST REMAIN WITHIN DIMENSIONS		DRAWING: D-SIZE		SERIES: 100086		
▽ = 0	DRAFT WHERE APPLICABLE MUST REMAIN WITHIN DIMENSIONS		SEE P/N TABLE		GENERAL MARKET		

PCB LAYOUT FOR SINGLE SIDED MOUNTING

HATCHED AREA DENOTES COMPONENT AND TRACE KEEP-OUT (EXCEPT CHASSIS GROUND)



Ø 1.05 ±0.05 TYP
 ⊕ Ø0.10 (M) A K L

DATUM -A- IS THE TOP SURFACE OF HOST BOARD

CROSS HATCHED AREA DENOTES WHERE SURFACE TRACES ARE PERMITTED

- NOTES:
1. PADS AND VIAS GO TO CHASSIS GROUND. (RECOMMENDED PADS TO BE 2.00mm SQUARE.)
 2. RECOMMENDED THRU HOLE PLATING INCLUDES HASL, OSP, OR IMMERSION (GOLD, SILVER, OR TIN).
 3. CONNECTOR PAD LAYOUT PER SFF-8663 WILL ACCOMODATE MOLEX CONNECTOR SERIES 170432.
 4. NOTED DIMENSIONS ONLY APPLY TO CAGE ASSEMBLIES WITH LIGHT PIPES.

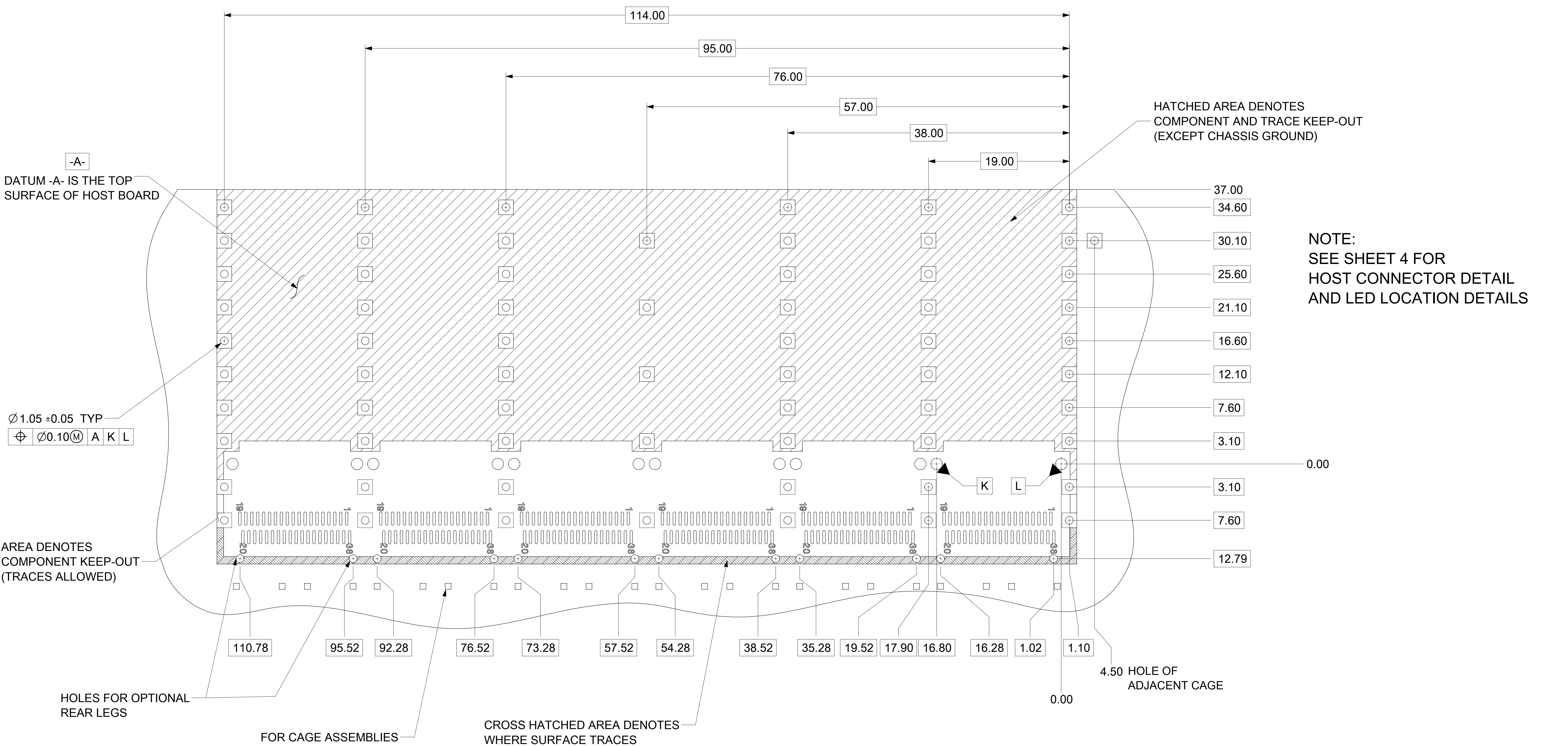
QUAD LIGHTPIPE LED LAYOUT
 SINGLE LIGHTPIPE LED LAYOUT
 DUAL LIGHTPIPE LED LAYOUT

DETAIL 1
 SCALE 6:1

SYMBOLS		THIS DRAWING CONTAINS INFORMATION THAT IS PROPRIETARY TO MOLEX ELECTRONIC TECHNOLOGIES, LLC AND SHOULD NOT BE USED WITHOUT WRITTEN PERMISSION	
▽ = 0	mm	SCALE	3.5:1
▽ = 0	GENERAL TOLERANCES (UNLESS SPECIFIED)		
▽ = 0	ANGULAR TOL ± 2.0°		
▽ = 0	4 PLACES	±	
▽ = 0	3 PLACES	±	
▽ = 0	2 PLACES	±	0.13
▽ = 0	1 PLACE	±	0.25
▽ = 0	0 PLACES	±	
■ = 0	DRAFT WHERE APPLICABLE MUST REMAIN WITHIN DIMENSIONS		
▽ = 0	THIRD ANGLE PROJECTION		
CURRENT REV DESC: SEE REVISION TABLE		EC NO: 698881	
		DRWN: SHIVAA4 2022/02/17	
		CHK'D: TKUMARKC 2022/03/10	
		APPR: JCHIANG 2022/03/17	
		INITIAL REVISION:	
		DRWN: SHIVAA4 2022/02/17	
		APPR: JCHIANG 2022/03/17	
DOCUMENT NUMBER		DOC TYPE	DOC PART
1000863200		PSD	ASY
REVISION		A	
MATERIAL NUMBER	CUSTOMER	SHEET NUMBER	
SEE P/N TABLE	GENERAL MARKET	4 OF 7	

DOCUMENT STATUS	P1	RELEASE DATE	2022/03/17 02:54:30
-----------------	----	--------------	---------------------

PCB LAYOUT FOR BELLY TO BELLY MOUNTING



-A-
DATUM -A- IS THE TOP SURFACE OF HOST BOARD

Ø1.05 ±0.05 TYP
⊕ Ø0.10Ⓜ A K L

AREA DENOTES COMPONENT KEEP-OUT (TRACES ALLOWED)

HOLES FOR OPTIONAL REAR LEGS

FOR CAGE ASSEMBLIES WITH LIGHT PIPES

CROSS HATCHED AREA DENOTES WHERE SURFACE TRACES ARE PERMITTED

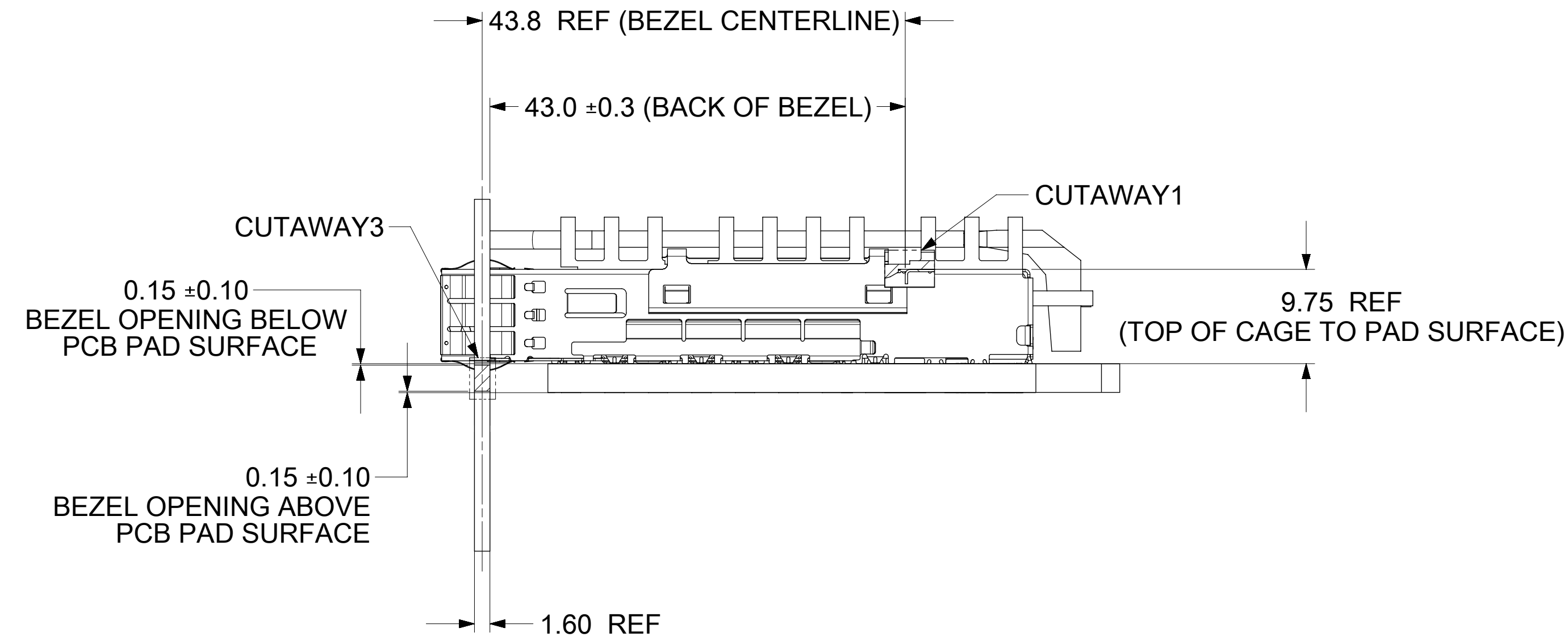
HATCHED AREA DENOTES COMPONENT AND TRACE KEEP-OUT (EXCEPT CHASSIS GROUND)

NOTE:
SEE SHEET 4 FOR HOST CONNECTOR DETAIL AND LED LOCATION DETAILS

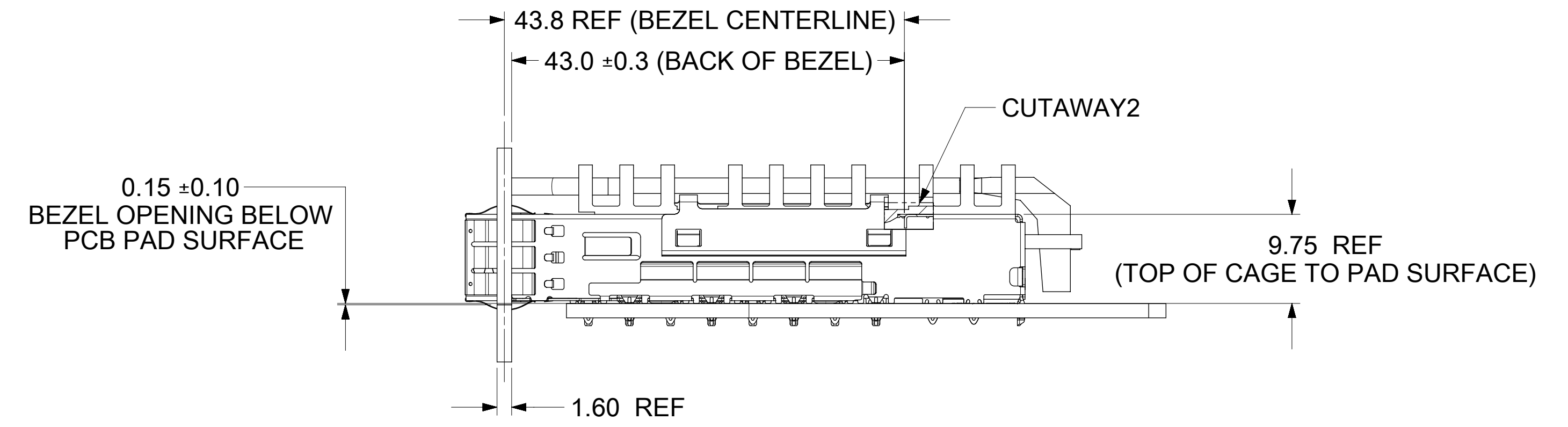
- NOTES:
1. PADS AND VIAS GO TO CHASSIS GROUND. (RECOMMENDED PADS TO BE 2.00mm SQUARE.)
 2. RECOMMENDED THRU HOLE PLATING INCLUDES HASL, OSP, OR IMMERSION (GOLD, SILVER, OR TIN).
 3. CONNECTOR PAD LAYOUT PER SFF-8663 WILL ACCOMODATE MOLEX CONNECTOR SERRIES 170432.

SYMBOLS	THIS DRAWING CONTAINS INFORMATION THAT IS PROPRIETARY TO MOLEX ELECTRONIC TECHNOLOGIES, LLC AND SHOULD NOT BE USED WITHOUT WRITTEN PERMISSION		CURRENT REV DESC: SEE REVISION TABLE	
	DIMENSION UNITS	SCALE		
▽ = 0	mm	4:1		
▽ = 0	GENERAL TOLERANCES (UNLESS SPECIFIED)			
▽ = 0	ANGULAR TOL	± 2.0°		
▽ = 0	4 PLACES	±		
▽ = 0	3 PLACES	±		
▽ = 0	2 PLACES	± 0.13		
▽ = 0	1 PLACE	± 0.25		
▽ = 0	0 PLACES	±		
■ = 0	DRAFT WHERE APPLICABLE MUST REMAIN WITHIN DIMENSIONS	THIRD ANGLE PROJECTION	DRAWING	SERIES
▽ = 0			D-SIZE	100086
DOCUMENT STATUS		P1	RELEASE DATE	2022/03/17 02:54:30
EC NO: 698881		DRWN: SHIVAA4	2022/02/17	
CHK'D: TKUMARKC		APPR: JCHIANG	2022/03/10	
INITIAL REVISION:		DRWN: SHIVAA4	2022/02/17	
		APPR: JCHIANG	2022/03/17	
DOCUMENT NUMBER		DOC TYPE	DOC PART	REVISION
1000863200		PSD	ASY	A
MATERIAL NUMBER		CUSTOMER	SHEET NUMBER	
SEE P/N TABLE		GENERAL MARKET	5 OF 7	

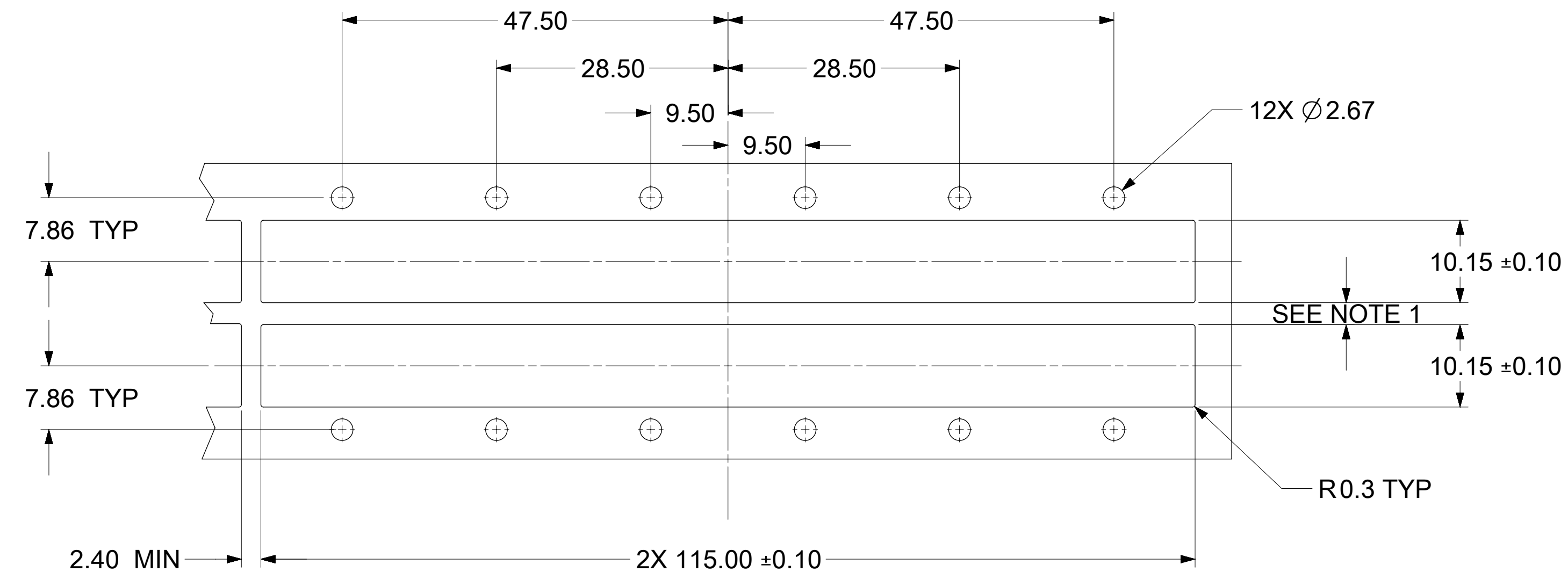
BEZEL AND BOARD POSITION DIMENSIONS FOR BELLY TO BELLY MOUNTING



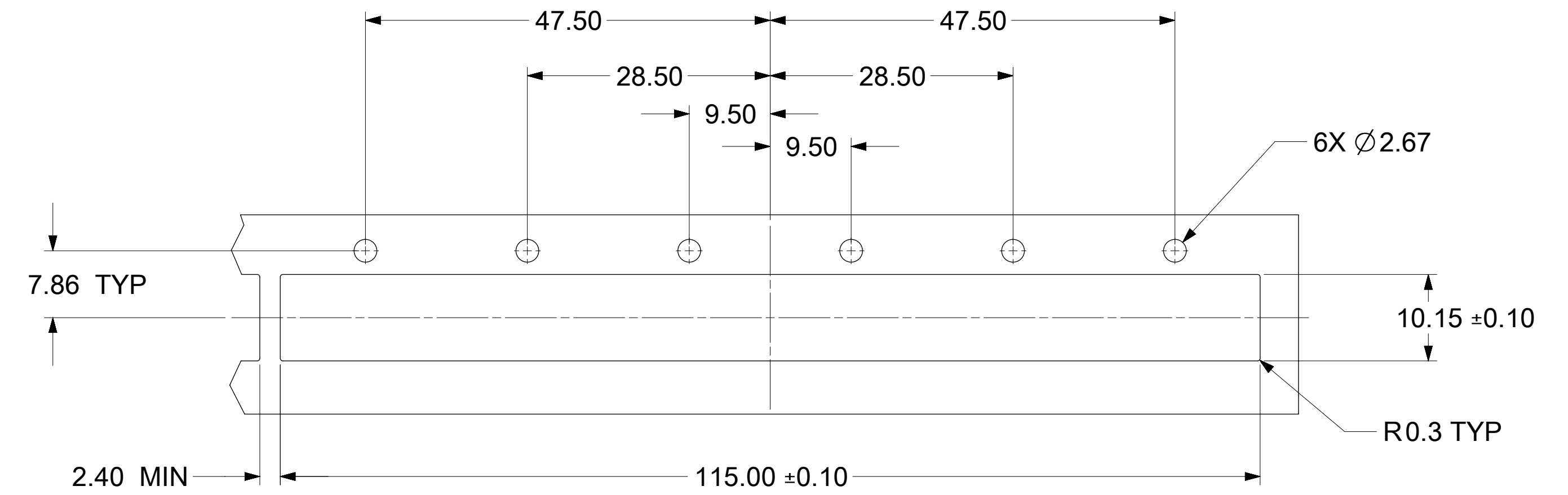
BEZEL AND BOARD POSITION DIMENSIONS FOR SINGLE SIDE MOUNTING



SINGLE LIGHT PIPE



SINGLE LIGHT PIPE



NOTE:
 1. PCB THICKNESS VARIATION MUST BE CONSIDERED WHEN DETERMINING BEZEL OPENING LOCATION.
 2. NOTED DIMENSIONS ONLY APPLY TO CAGE ASSEMBLIES WITH LIGHT PIPES.
 3. THIS DIMENSION IS FOR REFERENCE ONLY. USER CAN MODIFY IT DEPENDS ON APPLICATION. (THIS DIMENSION VARIES BASED ON DISTANCE OF " HOLE OF ADJACENT CAGE" ON PCB LAYOUT.)

SYMBOLS	THIS DRAWING CONTAINS INFORMATION THAT IS PROPRIETARY TO MOLEX ELECTRONIC TECHNOLOGIES, LLC AND SHOULD NOT BE USED WITHOUT WRITTEN PERMISSION		
	DIMENSION UNITS	SCALE	CURRENT REV DESC: SEE REVISION TABLE
▽ = 0	mm	2.5:1	EC NO: 698881 DRWN: SHIVAA4 2022/02/17 CHK'D: TKUMARKC 2022/03/10 APPR: JCHIANG 2022/03/17 INITIAL REVISION: DRWN: SHIVAA4 2022/02/17 APPR: JCHIANG 2022/03/17
▽ = 0	GENERAL TOLERANCES (UNLESS SPECIFIED)		
▽ = 0	ANGULAR TOL ± 2.0°		
▽ = 0	4 PLACES ±		
▽ = 0	3 PLACES ±		
▽ = 0	2 PLACES ± 0.13		DOCUMENT NUMBER 1000863200 DOC TYPE PSD DOC PART ASY REVISION A
▽ = 0	1 PLACE ± 0.25		
▽ = 0	0 PLACES ±		
■ = 0	DRAFT WHERE APPLICABLE MUST REMAIN WITHIN DIMENSIONS	THIRD ANGLE PROJECTION	DRAWING D-SIZE SERIES 100086
▽ = 0	SEE P/N TABLE		MATERIAL NUMBER CUSTOMER GENERAL MARKET SHEET NUMBER 6 OF 7

molex

1X6 ZQSFP+ GANGED CAGE, W/ SUS TAB TYPE SPRING FINGER, H/S & L/P OPTIONS

PRODUCT CUSTOMER DRAWING

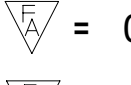
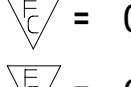
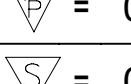

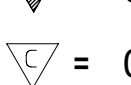
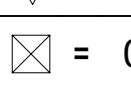

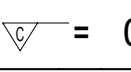
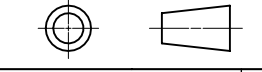
DOCUMENT NUMBER DOC TYPE DOC PART REVISION

1000863200 PSD ASY A

MATERIAL NUMBER CUSTOMER SHEET NUMBER

SEE P/N TABLE GENERAL MARKET 6 OF 7

REV	DATE	DESCRIPTION
A	2022/02/17	INITIAL RELEASE

SYMBOLS  = 0  = 0  = 0  = 0  = 0  = 0  = 0  = 0	THIS DRAWING CONTAINS INFORMATION THAT IS PROPRIETARY TO MOLEX ELECTRONIC TECHNOLOGIES, LLC AND SHOULD NOT BE USED WITHOUT WRITTEN PERMISSION		DIMENSION UNITS mm		SCALE 1:1	CURRENT REV DESC: SEE REVISION TABLE				
	GENERAL TOLERANCES (UNLESS SPECIFIED)					EC NO: 698881 DRWN: SHIVAA4 2022/02/17 CHK'D: TKUMARKC 2022/03/10 APPR: JCHIANG 2022/03/17				
	ANGULAR TOL ± 2.0°					INITIAL REVISION: DRWN: SHIVAA4 2022/02/17 APPR: JCHIANG 2022/03/17				
	4 PLACES ±					PRODUCT CUSTOMER DRAWING 1X6 ZQSFP+ GANGED CAGE, W/ SUS TAB TYPE SPRING FINGER, H/S & L/P OPTIONS				
	3 PLACES ±									
	2 PLACES ± 0.13					DOCUMENT NUMBER 1000863200				
	1 PLACE ± 0.25									
	0 PLACES ±					DOC TYPE PSD		DOC PART ASY		REVISION A
	DRAFT WHERE APPLICABLE MUST REMAIN WITHIN DIMENSIONS					THIRD ANGLE PROJECTION 		DRAWING D-SIZE		SERIES 100086
	DOCUMENT STATUS P1		RELEASE DATE 2022/03/17 02:54:30		MATERIAL NUMBER SEE P/N TABLE		CUSTOMER GENERAL MARKET		SHEET NUMBER 7 OF 7	