

MATERIALS AND FINISHES:

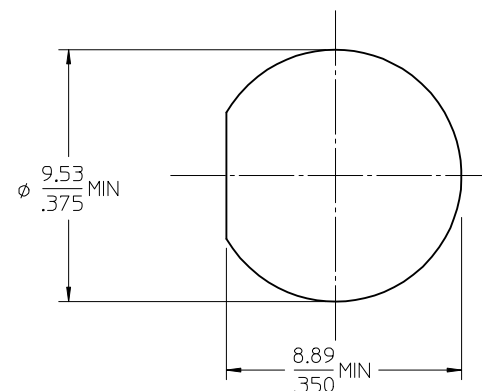
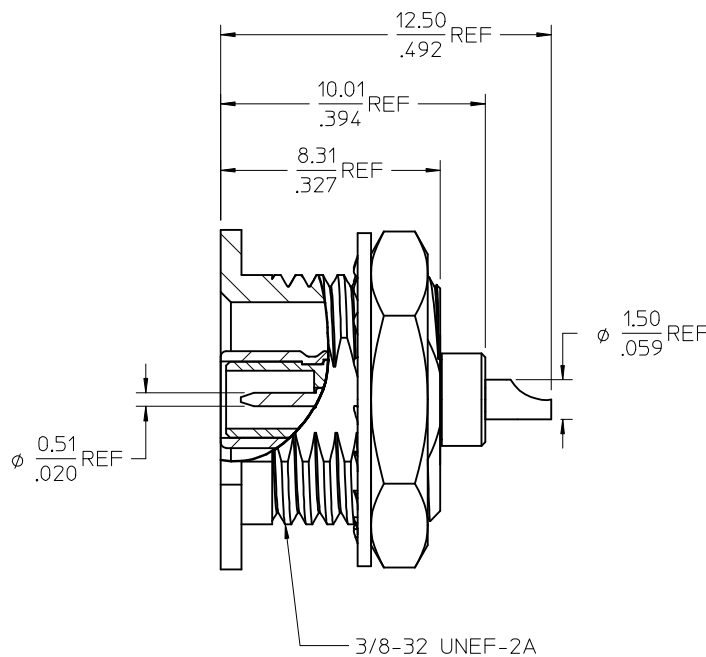
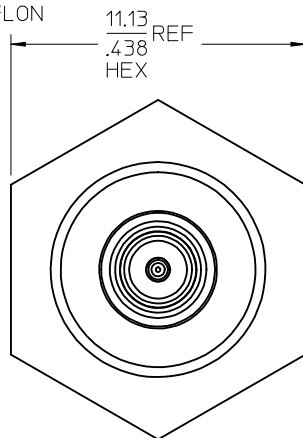
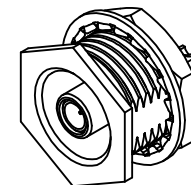
BODY: SEE TABLE

JAM NUT: BRASS  
PLATED NICKEL

WASHER: PHOSPHOR BRONZE  
PLATED NICKEL

CENTER CONTACT: BRASS  
PLATED GOLD

INSULATOR: TEFLON

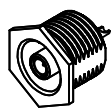


RECOMMENDED MOUNTING HOLE

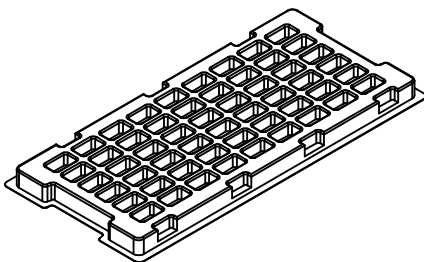
PS-73598-0099	ELECTRO/MECH PERFORM.
MIL-STD-348A, FIG. 311.1	INTERFACE
SPECIFICATION	DESCRIPTION

73404-0002	73404-0001, ONE PER BAG
73404-0001	BRASS/NICKEL/BULK
73404-0000	STEEL/PASSIVATED/BULK
PART NO.	BODY MATERIAL/PLATING/PACKAGING

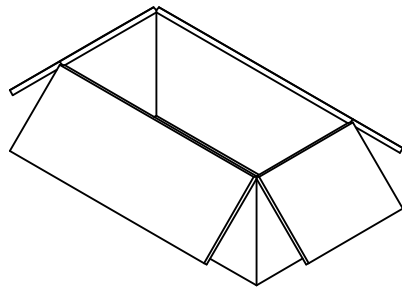
ADDED PACKAGE DRAWING PER RF15-E189 IEC NO: URF2015-0600 DRWNLIN 2015/04/30 CHKD: APPR: YCHENG 2015/05/05 DESCRIPTION	QUALITY SYMBOLS ▽=0 ▽=0	GENERAL TOLERANCES (UNLESS SPECIFIED) <table border="1"> <tr> <th></th> <th>mm</th> <th>INCH</th> </tr> <tr> <td>4 PLACES</td> <td>± .005</td> <td>± .0005</td> </tr> <tr> <td>3 PLACES</td> <td>± .005</td> <td>± .0005</td> </tr> <tr> <td>2 PLACES</td> <td>± .005</td> <td>± .0005</td> </tr> <tr> <td>1 PLACE</td> <td>± .005</td> <td>± .0005</td> </tr> </table> ANGULAR ± 2°		mm	INCH	4 PLACES	± .005	± .0005	3 PLACES	± .005	± .0005	2 PLACES	± .005	± .0005	1 PLACE	± .005	± .0005	DIMENSION STYLE MM/IN DRAWN BY NB J DATE 1997/07/16 CHECKED BY DHG DATE 1998/01/09 APPROVED BY GMH DATE 1998/01/09	SCALE DESIGN UNITS METRIC THIRD ANGLE PROJECTION	TITLE SMB JACK, RECEPT, BLKHD MT RECESSED, SOLDER POT 50 OHM, EWR1971, SMB-JR/BK
		mm	INCH																	
	4 PLACES	± .005	± .0005																	
3 PLACES	± .005	± .0005																		
2 PLACES	± .005	± .0005																		
1 PLACE	± .005	± .0005																		
DRAFT WHERE APPLICABLE MUST REMAIN WITHIN DIMENSIONS	MATERIAL NO. SEE TABLE	MOLEX INCORPORATED	DOCUMENT NO. SD-73404-000	SHEET NO. 1 OF 3																
SIZE C	THIS DRAWING CONTAINS INFORMATION THAT IS PROPRIETARY TO MOLEX INCORPORATED AND SHOULD NOT BE USED WITHOUT WRITTEN PERMISSION																			



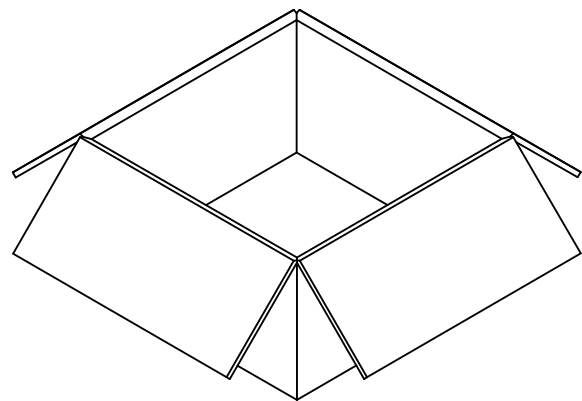
P/N: 73404-0000  
P/N: 73404-0001



54 SET PER TRAY  
TRAY P/N 89707-0220

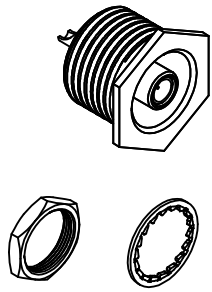


486 SET PER INNER  
CARTON BOX  
P/N 96707-0001  
367X173X188

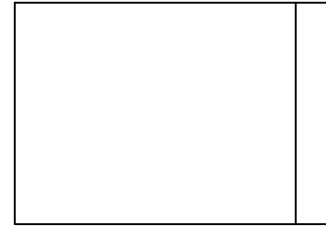


972 SET PER OUTER  
CARTON BOX  
P/N 96708-0005  
385X367X206

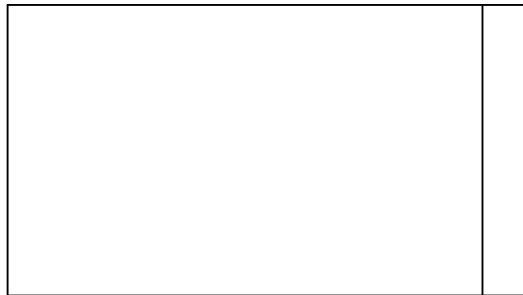
SEE SHEET 1 IEC NO: URF2015-0600 DRWNLN 2015/04/30 CHKD: APPR: YCHENG 2015/05/05 REV: A3	QUALITY SYMBOLS	GENERAL TOLERANCES (UNLESS SPECIFIED)	DIMENSION STYLE		SCALE	DESIGN UNITS	THIRD ANGLE PROJECTION	
	▽=0	mm INCH	MM/IN	DRAWN BY	DATE	1:5	METRIC	SMB JACK, RECEPT, BLKHD MT RECESSED, SOLDER POT 50 OHM, EWR1971, SMB-JR/BK <b>molex</b> DOCUMENT NO. SD-73404-000 SHEET NO. 2 OF 3
	▽=0	4 PLACES ± --- ± ---	± --- ± ---	NBJ	1997/07/16	TITLE		
	▽=0	3 PLACES ± --- ± ---	± --- ± ---	CHECKED BY	DATE	SEE SHEET 2		
	▽=0	2 PLACES ± --- ± ---	± --- ± ---	DHG	1998/01/09	THIS DRAWING CONTAINS INFORMATION THAT IS PROPRIETARY TO MOLEX INCORPORATED AND SHOULD NOT BE USED WITHOUT WRITTEN PERMISSION		
▽=0	1 PLACE ± --- ± ---	± --- ± ---	APPROVED BY	DATE				
	0 PLACE ± ±	± ±	GMH	1998/01/09				
		ANGULAR ± 2 °	MATERIAL NO.					
		DRAFT WHERE APPLICABLE MUST REMAIN WITHIN DIMENSIONS	SIZE C					



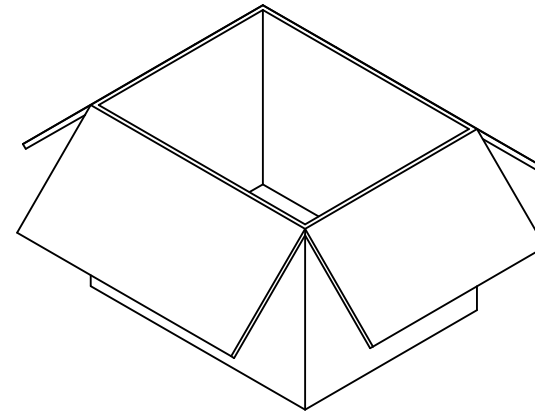
P/N: 73404-0002



1 SET PER PE BAG (WITH MOLEX LOGO)  
 PE BAG P/N 89707-0317



50 SET PER PE BAG  
 PE BAG P/N 89707-0174



500 SET PER OUTER  
 CARTON BOX  
 P/N 89499-9027  
 267X215X260

<b>SEE SHEET 1</b> EC NO: URF2015-0600 DRAWN BY: DRWNLIN 2015/04/30 CHKD: APPR: YCHENG 2015/05/05 REV: A3	QUALITY SYMBOLS = 0 = 0 = 0	GENERAL TOLERANCES (UNLESS SPECIFIED) <table border="1"> <tr> <td></td> <td>mm</td> <td>INCH</td> </tr> <tr> <td>4 PLACES</td> <td>± ---</td> <td>± ---</td> </tr> <tr> <td>3 PLACES</td> <td>± ---</td> <td>± ---</td> </tr> <tr> <td>2 PLACES</td> <td>± ---</td> <td>± ---</td> </tr> <tr> <td>1 PLACE</td> <td>± ---</td> <td>± ---</td> </tr> <tr> <td>0 PLACE</td> <td>±</td> <td>±</td> </tr> </table>		mm	INCH	4 PLACES	± ---	± ---	3 PLACES	± ---	± ---	2 PLACES	± ---	± ---	1 PLACE	± ---	± ---	0 PLACE	±	±	DIMENSION STYLE <b>MM/IN</b> DRAWN BY: NB J DATE: 1997/07/16 CHECKED BY: DHG DATE: 1998/01/09 APPROVED BY: GMH DATE: 1998/01/09	SCALE: <b>1:3.33</b> DESIGN UNITS: <b>METRIC</b> THIRD ANGLE PROJECTION	TITLE: <b>SMB JACK, RECEPT, BLKHD MT RECESSED, SOLDER POT 50 OHM, EWR1971, SMB-JR/BK</b> 	MATERIAL NO.: <b>SEE SHEET 1</b>	DOCUMENT NO.: <b>SD-73404-000</b>	SHEET NO.: <b>3 OF 3</b>
		mm	INCH																							
	4 PLACES	± ---	± ---																							
	3 PLACES	± ---	± ---																							
2 PLACES	± ---	± ---																								
1 PLACE	± ---	± ---																								
0 PLACE	±	±																								
ANGULAR ± 2 °		DRAFT WHERE APPLICABLE MUST REMAIN WITHIN DIMENSIONS		THIS DRAWING CONTAINS INFORMATION THAT IS PROPRIETARY TO MOLEX INCORPORATED AND SHOULD NOT BE USED WITHOUT WRITTEN PERMISSION		SIZE:																				