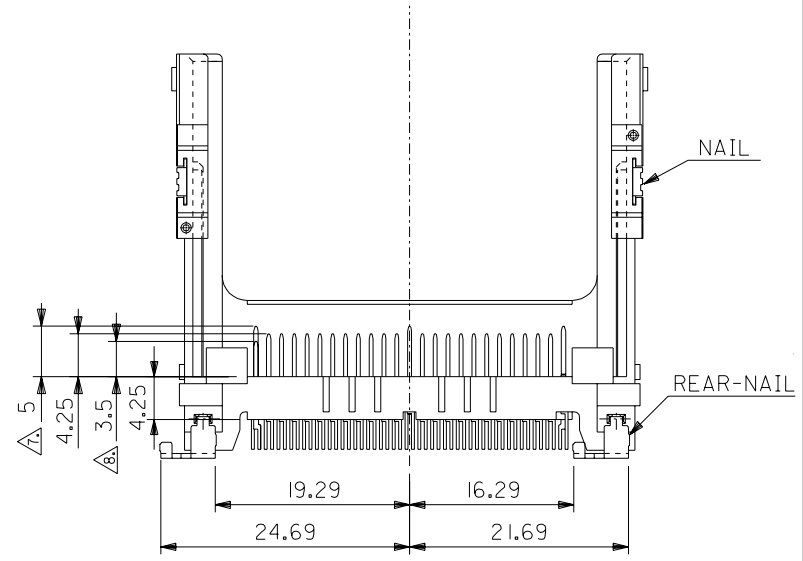
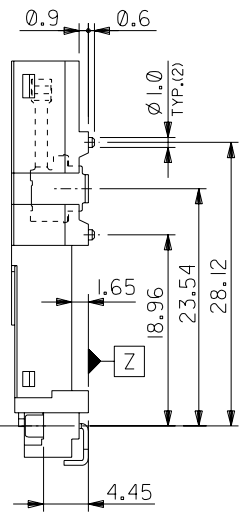
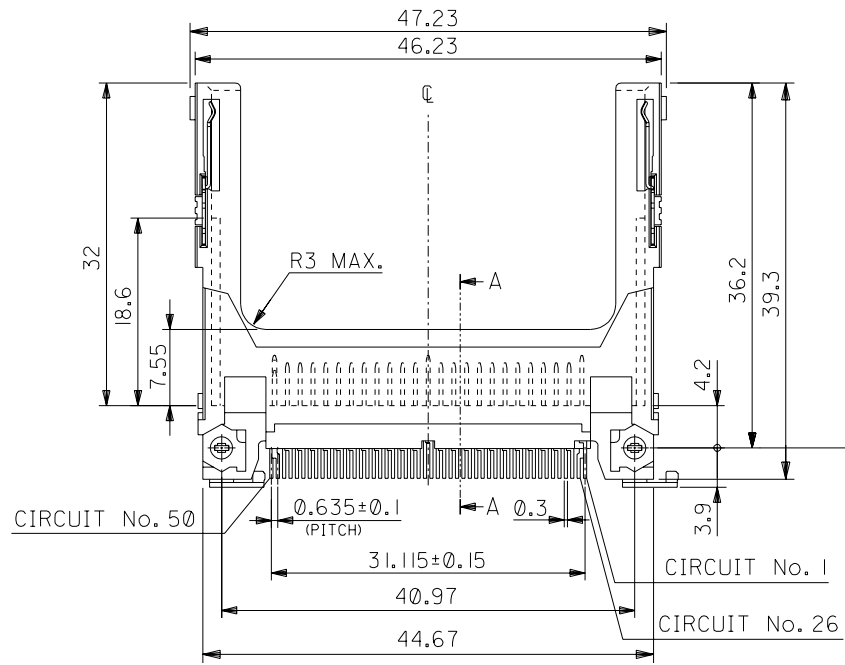
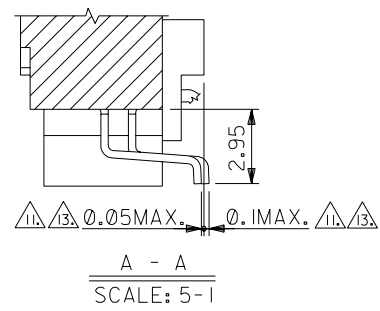
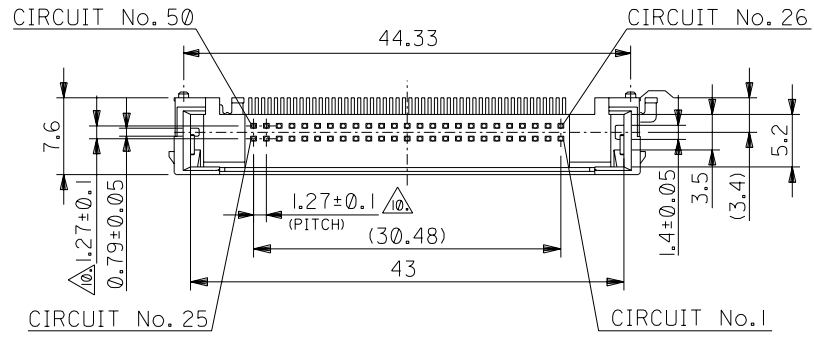


DWG. NO. SD-55358-014



DO NOT SCALE DRAWING

EC NO. DRWN: CHK: APPR:	EC NO. DRWN: CHK: APPR:	EC NO. DRWN: CHK: APPR:	EC NO. DRWN: CHK: APPR:
RELEASED EC NO. J2004-3952 DRWN: M.NABEI '04/04/22 CHK: K.TOJO '04/04/22 APPR: M.SASAO '04/04/22			

DESCRIPTION	MATERIAL 材料	FINISH 仕上り	WIRE RANGE 適用層被範囲	INS. RANGE 被覆外径
	SEE NOTES	SEE NOTES	#	#

GENERAL TOLERANCES: (UNLESS SPECIFIED) 一般公差	
10 UNDER 未満	±0.2
10 OVER 30 UNDER 以上 未満	±0.25
30 OVER 以上	±0.3
ANGLE 角度	±3°

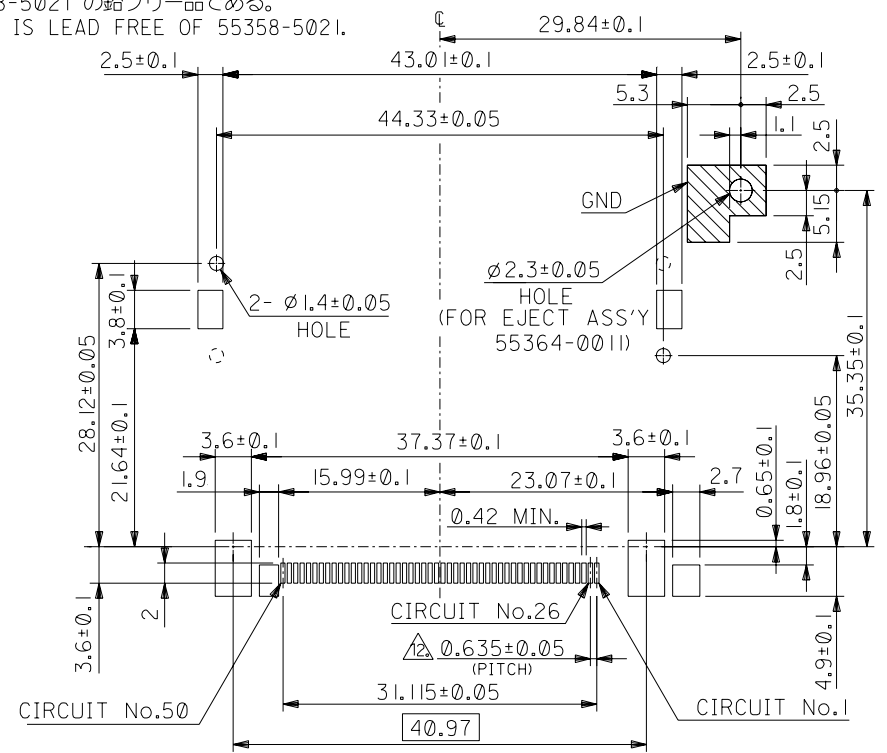
55358-5028		55358-5029		55358-50**	
HARD TRAY PACKAGE		MATERIAL No.		MODEL No.	
SCALE 2 - 1	DESIGN UNITS <input checked="" type="checkbox"/> mm <input type="checkbox"/> INCH	DIMENSIONS: <input type="checkbox"/> mm <input type="checkbox"/> INCH <input type="checkbox"/> mm <input checked="" type="checkbox"/> INCH ONLY		SHT	REV
DRAWN BY & DATE M.NABEI '04/04/22		TITLE: CF CARD CONN. 50P HEADER ASS'Y (TYPE I/II, NORMAL) -LEAD FREE-			
CHECKED BY & DATE K.TOJO '04/04/22		MATERIAL NO. SEE CHART			
APPROVED BY & DATE M. Sasao '04/04/22		DRAWING NO. SD-55358-014		SHEET NO. 1 OF 2	
THIS DRAWING CONTAINS INFORMATION THAT IS PROPRIETARY TO MOLEX INCORPORATED AND SHOULD NOT BE USED WITHOUT WRITTEN PERMISSION.					
					SIZE B

SD-55358-014.S01

DWG. NO. SD-55358-014

- 8 7 6 5 4 3 2 1
- 注) NOTES
1. 材質 MATERIAL
 ハウジング: ガラス入りLCP UL94V-0
 HOUSING: LIQUID CRYSTAL POLYMER G.F. UL94V-0
 ピン: リン青銅
 PIN: PHOSPHOR BRONZE
 ネール: リン青銅 (t0.3)
 NAIL: PHOSPHOR BRONZE (t0.3)
 リヤネール: リン青銅 (t0.48)
 REAR-NAIL: PHOSPHOR BRONZE (t0.48)
2. メッキ仕様 PLATING
 ピン 接点部: パラジウムニッケル下地、金メッキ
 CONTACT AREA: GOLD OVER PALLADIUM-NICKEL
 半田付け部: 錫メッキ
 SOLDER TAIL AREA: TIN
 下地メッキ: ニッケルメッキ
 UNDERPLATING: NICKEL OVER ALL
 ネール 接点部: 金メッキ
 CONTACT AREA: GOLD
 半田付け部: 錫メッキ
 SOLDER TAIL AREA: TIN
 下地メッキ: ニッケルメッキ
 UNDERPLATING: NICKEL OVER ALL
 リヤネール 錫メッキ
 REAR-NAIL TIN
 下地メッキ: ニッケルメッキ
 UNDERPLATING: NICKEL OVER ALL
3. 推奨基板厚: $t=0.8$ MIN.
 RECOMMENDED P.C.B. THICKNESS: $t=0.8$ MIN.
4. 適合カード厚: 3.3 ± 0.1 (TYPE I) AND 5 MAX. (TYPE II)
 RECOMMENDED CARD THICKNESS: 3.3 ± 0.1 (TYPE I) AND 5 MAX. (TYPE II)
5. 適合カード幅: 42.8 ± 0.1
 RECOMMENDED CARD WIDTH: 42.8 ± 0.1
6. ハウジング色: 黒
 HOUSING COLOR: BLACK
7. 寸法適用極: 1,13,38,50
 THIS DIMENSION APPLIES TO CIRCUIT NUMBERS 1,13,38 AND 50.
8. 寸法適用極: 25,26
 THIS DIMENSION APPLIES TO CIRCUIT NUMBERS 25 AND 26.
9. ピンの倒れは、ピン根元を基準に全方向へ 0.1 MAX.とする。
 PIN TIP LEAN TOWARD ANY DIRECTION NOT TO EXCEED 0.1 WHEN MEASURED FROM PIN BASE.
10. ピン根元に適用する。
 THIS DIMENSION TO BE MEASURED AT PIN BASE.

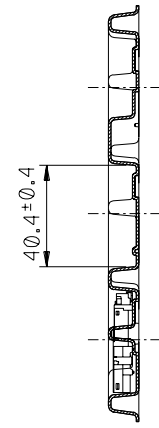
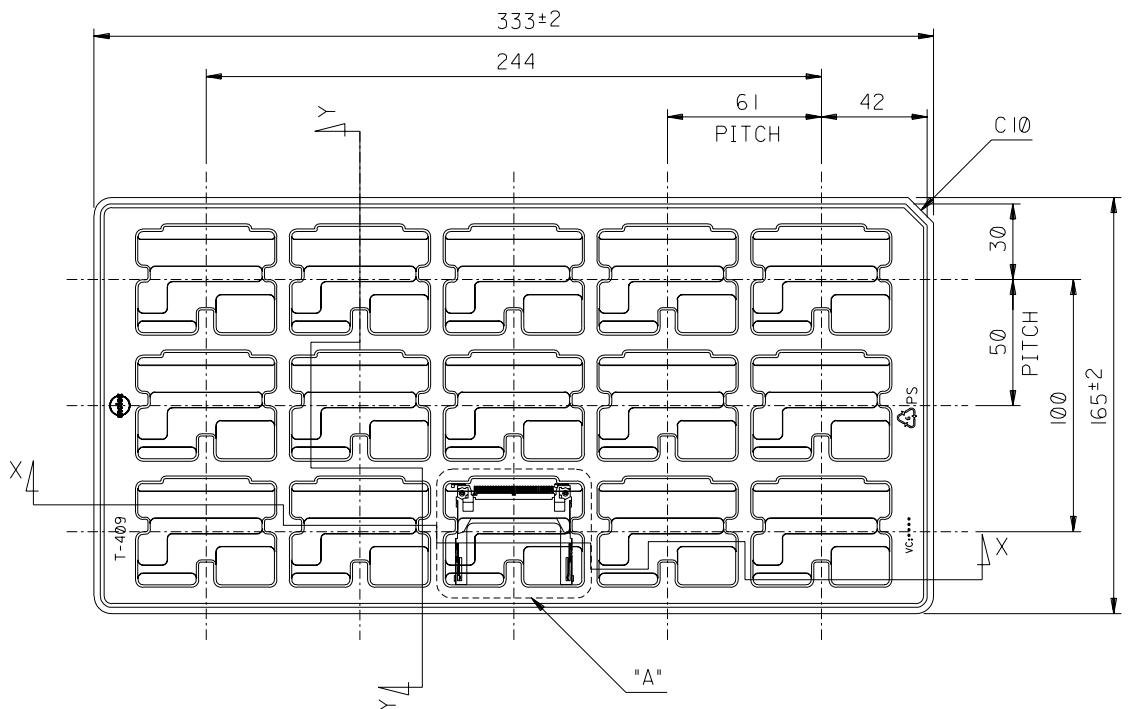
11. ソルダーテールは、Z面を基準とし上へ 0.05 下へ 0.1 の範囲にあり、且つソルダーテールの平坦度は、 0.1 MAX.とし、テール先端にて測定する。
 SOLDER TAILS TO BE WITHIN 0.05 UPWARD AND 0.1 DOWNWARD FROM Z-DATUM PLACE, AND COPLANARITY OF SOLDER TAILS TO BE WITHIN 0.1 . MEASUREMENT POINT IS SOLDER TAILS TIP.
12. 公差非累積
 NON-CUMULATIVE
13. テールとネール、リヤネールを併せた平坦度は、 0.1 MAX.とする。
 TOTAL COPLANARITY OF SOLDER TAILS, NAILS AND REAR-NAILS TO BE 0.1 MAX.
14. 本製品は 55358-5021 の鉛フリー品である。
 THIS PRODUCT IS LEAD FREE OF 55358-5021.



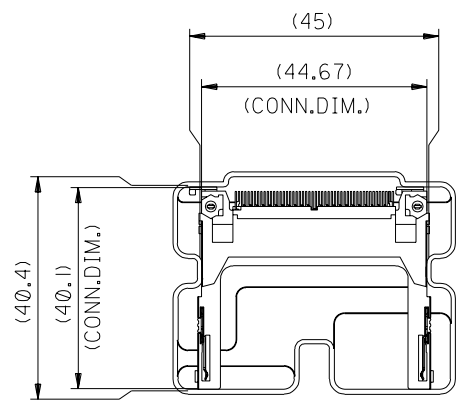
基板推奨寸法

RECOMMENDED P.C.B. LAYOUT

DO NOT SCALE DRAWING				55358-50**		MODEL NO.		DIMENSIONS:		SHT	REV
				SCALE 2 - 1		DESIGN UNITS		THIRD ANGLE PROJECTION		<input type="checkbox"/> mm <input type="checkbox"/> INCH <input checked="" type="checkbox"/> mm ONLY	
EC NO. DRWN: CH'K: APPR:		EC NO. DRWN: CH'K: APPR:		EC NO. DRWN: CH'K: APPR:		EC NO. DRWN: CH'K: APPR:		EC NO. DRWN: CH'K: APPR:		EC NO. DRWN: CH'K: APPR:	
APPR: SEE SHEET 1 OF 2				DESCRIPTION		MATERIAL 材料		GENERAL TOLERANCES: (UNLESS SPECIFIED) 一般公差			
				SEE NOTES		SEE NOTES		DRAWN BY & DATE M.NABEI '04/04/22			
				SEE NOTES		SEE NOTES		CHECKED BY & DATE K.TOJO '04/04/22			
				SEE NOTES		SEE NOTES		APPROVED BY & DATE H. Sato '04/04/22			
				WIRE RANGE 適用電線範囲		ANGLE 角度		CAD FILENAME SD-55358-014.S02		MATERIAL NO. DRAWING NO. SD-55358-014 SHEET NO. 2	
				REV		INS. RANGE 被覆外径		TITLE: CF CARD CONN. 50P HEADER ASS'Y (TYPE I/II, NORMAL) -LEAD FREE-			
								MOLEX INCORPORATED			
								THIS DRAWING CONTAINS INFORMATION THAT IS PROPRIETARY TO MOLEX INCORPORATED AND SHOULD NOT BE USED WITHOUT WRITTEN PERMISSION.			
								SIZE B			



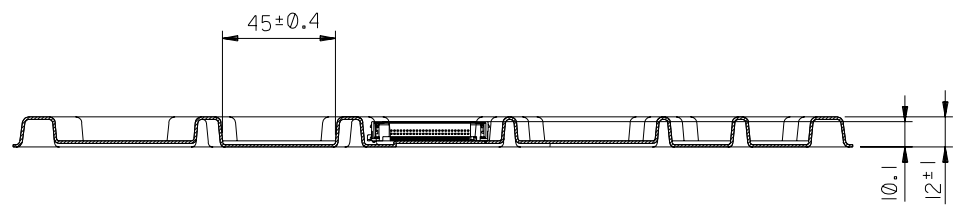
SECT. Y-Y



DETAIL A
(SCALE 1-1)

NOTES

1. 一般公差: ±0.5
GENERAL TOLERANCES: ±0.5
2. 反り: 2MAX.
WARP: 2MAX.
3. 梱包数: 15個
PACKAGING QUANTITY: 15PCS.
4. 本製品は 55358-5026/-5036 の鉛フリー品である。
THIS PRODUCT IS LEAD FREE OF 55358-5026/-5036.



SECT. X-X

15	55358-5039	55358-5038	50
	55358-5029	55358-5028	
梱包数量 QUANTITY	コネクタ番号 CONNECTOR No.	製品番号 MATERIAL No.	極数 CKT.

DO NOT SCALE DRAWING

64NO. DRWN: CHK: APPR:	63NO. DRWN: CHK: APPR:	62NO. DRWN: CHK: APPR:	61NO. DRWN: CHK: APPR:	60NO. J2004-3952 DRWN: M.NABEI CHK: K.TOJO APPR: M.SASAO	MATERIAL 材料 POLYSTYRENE (t=1.0)	GENERAL TOLERANCES: (UNLESS SPECIFIED) 一般公差 10 UNDER 未満 ±0.2 10 OVER 以上 ±0.25 30 UNDER 未満 ±0.25 30 OVER 以上 ±0.3 ANGLE 角度 ±3°	55358-50** SCALE 1:2 DESIGN UNITS <input checked="" type="checkbox"/> mm <input type="checkbox"/> INCH DRAWN BY & DATE M.NABEI '04/04/22 CHECKED BY & DATE K.TOJO '04/04/22 APPROVED BY & DATE M.SASAO '04/04/22 CAD FILENAME SD-55358-016.S01	MODEL NO. <input checked="" type="checkbox"/> FIRST ANGLE PROJECTION DIMENSIONS: <input type="checkbox"/> mm <input type="checkbox"/> INCH <input checked="" type="checkbox"/> mm ONLY TITLE: TRAY FOR CF CARD CONN. 50P HEADER HS'G ASS'Y -LEAD FREE- MOLEX MOLEX INCORPORATED	SHT REV 1 OF 1 B
0	0	0	0	0	FINISH 仕上げ	WIRE RANGE 適用規格範囲	INS. RANGE 被覆外径	THIS DRAWING CONTAINS INFORMATION THAT IS PROPRIETARY TO MOLEX INCORPORATED AND SHOULD NOT BE USED WITHOUT WRITTEN PERMISSION.	SIZE B