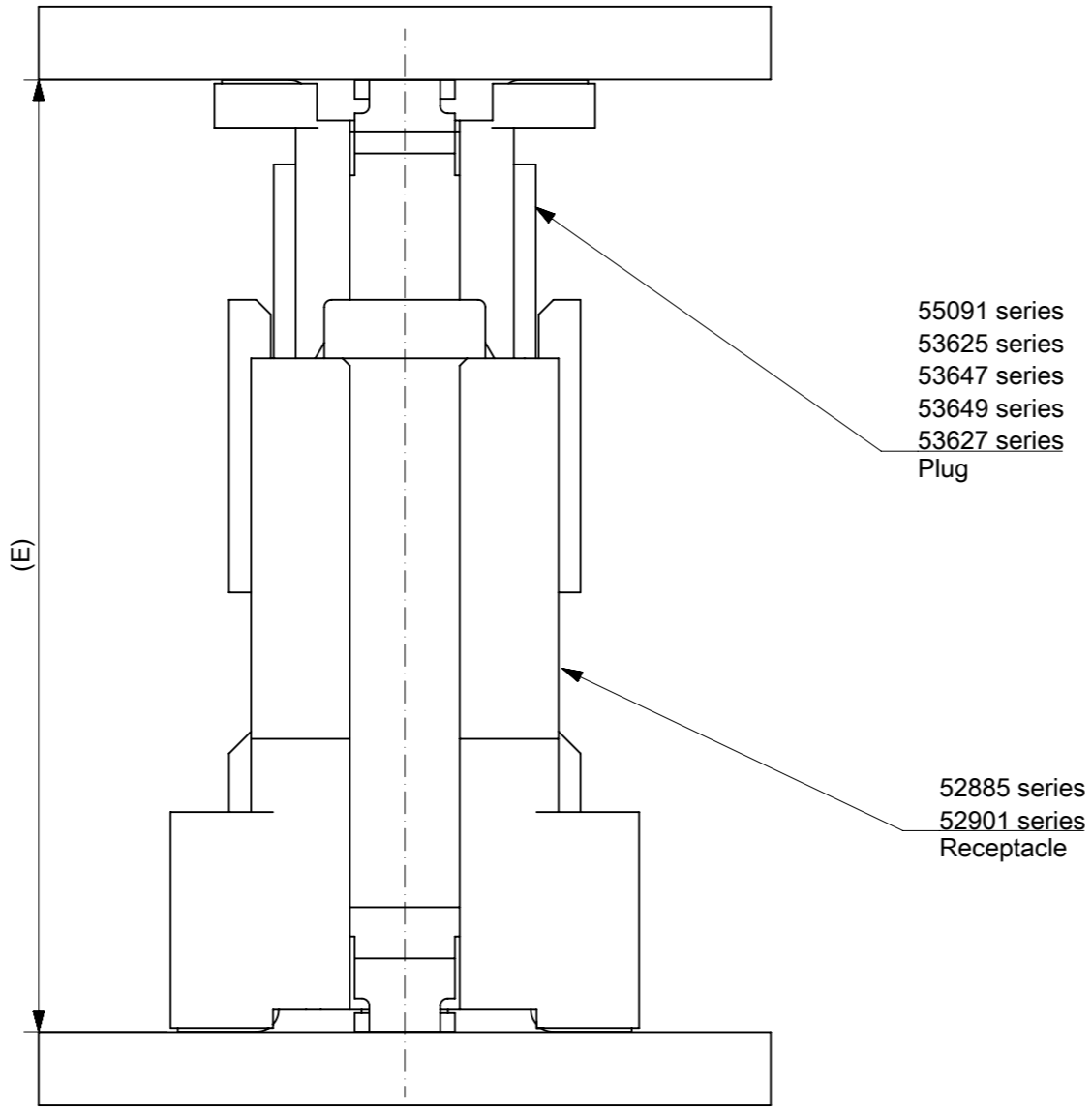


無し WITHOUT	79.17	78.07	75.565	83.07	53625-2474	240
	66.47	65.37	62.865	70.37	53625-2074	200
	60.12	59.02	56.515	64.02	53625-1874	180
	53.77	52.67	50.165	57.67	53625-1674	160
	47.42	46.32	43.815	51.32	53625-1474	140
	41.07	39.97	37.465	44.97	53625-1274	120
	34.72	33.62	31.115	38.62	53625-1074	100
	31.55	30.45	27.94	35.45	53625-0974	90
	28.37	27.27	24.765	32.27	53625-0874	80
	有り WITH	25.2	24.1	21.59	29.1	53625-0774
22.02		20.92	18.415	25.92	53625-0674	60
18.85		17.75	15.24	22.75	53625-0574	50
15.67		14.57	12.065	19.57	53625-0474	40
12.5		11.4	8.89	16.4	53625-0374	30
9.32	8.22	5.715	13.22	53625-0274	20	
ハウジングロック HSG LOCK	D	C	B	A	エンボス梱包 EMBOSSED PACKAGE オーダー番号 ORDER NO.	極数 CKT

注) NOTES

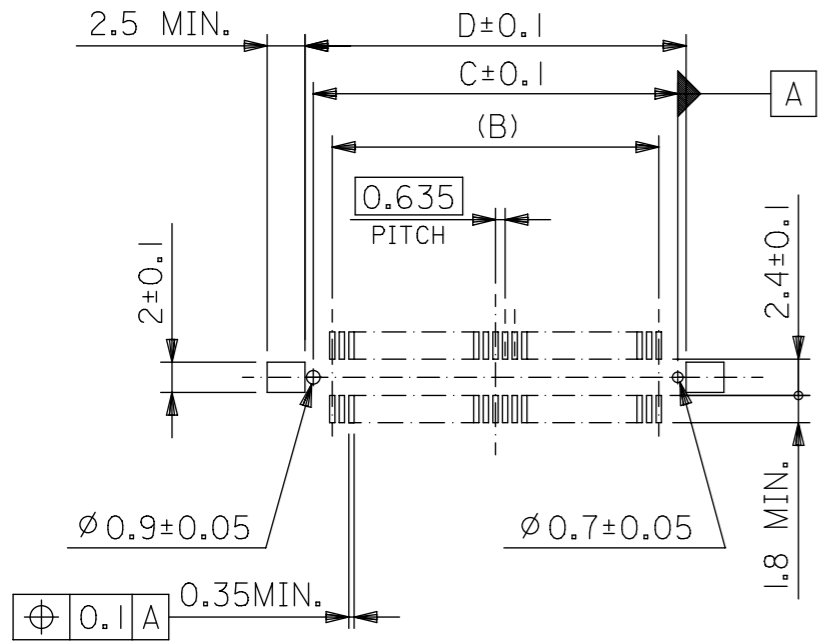
- 材質 MATERIAL
ハウジング: ガラス入りPPS、茶色、UL94V-0
HOUSING: G.F.PPS, BROWN, UL94V-0
ターミナル: 銅合金 (t=0.2)
TERMINAL: COPPER ALLOY
補強金具: 銅合金 (t=0.25)
FITTING NAIL: COPPER ALLOY
吸着カバー: ステンレス (t=0.2)
VACUUM COVER: STAINLESS STEEL
- メッキ仕様 PLATING
ターミナル: 接点部: 金メッキ 0.25µmMIN.
TERMINAL: CONTACT AREA: GOLD 0.25 MICROMETER MIN.
半田付け部: 錫メッキ 1.0µmMIN.
SOLDER TAIL AREA: TIN 1.0 MICROMETER MIN.
下地メッキ: ニッケルメッキ 1.5µmMIN.
UNDER-PLATING: NICKEL 1.5 MICROMETER MIN.
補強金具: 錫メッキ 1.0µmMIN.
FITTING NAIL: TIN 1.0 MICROMETER MIN.
下地メッキ: ニッケルメッキ 1.0µmMIN.
UNDER-PLATING: NICKEL 1.0 MICROMETER MIN.
- テールのバラツキ寸法 TAIL COPLANARITY
テール平坦度は、0.1MAX.とする。
TAILS COPLANARITY TO BE 0.1MAX.
- エンボス対応済みの極数については、SD-53625-003を参照下さい。
FOR THE EMBOSSED PACKAGE PRODUCTS, SEE SD-53625-003.
- 本製品は 53625-***2 の鉛フリー品である。
THIS PRODUCT IS LEAD FREE OF 53625-***2.

GENERAL TOLERANCES (UNLESS SPECIFIED)		THIS DRAWING CONTAINS INFORMATION THAT IS PROPRIETARY TO MOLEX ELECTRONIC TECHNOLOGIES, LLC AND SHOULD NOT BE USED WITHOUT WRITTEN PERMISSION	
10 UNDER	± 0.2	DIMENSION UNITS	SCALE
10 OVER 30 UNDER	± 0.25	mm	-
30 OVER	± 0.3	CURRENT REV DESC:	
ANGULAR	± 3 °	EC NO: 626810	
DRAFT WHERE APPLICABLE MUST REMAIN WITHIN DIMENSIONS		DRWN: KYHWANG 2019/11/05	
		CHK'D: MSASAO 2019/11/05	
		APPR: YNAITO 2019/11/05	
		INITIAL REVISION:	
		DRWN: YWADA 2004/05/26	
		APPR: MSASAO 2004/05/31	
		THIRD ANGLE PROJECTION	
		DRAWING	
		SERIES	
		MATERIAL NUMBER	
		CUSTOMER	
		SHEET NUMBER	
		A3-SIZE	
		53625	
		SEE CHART	
		GENERAL MARKET	
		1 OF 2	



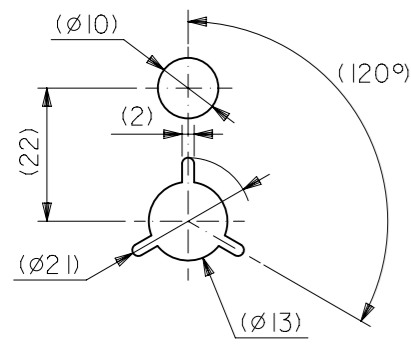
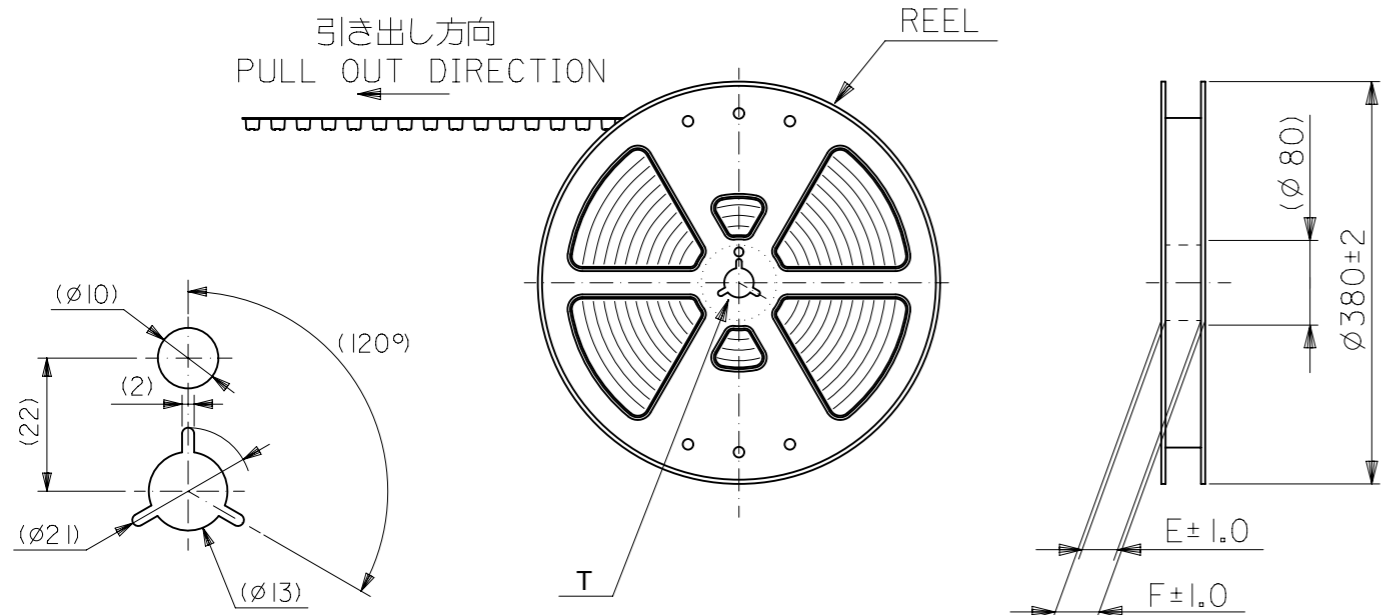
嵌合高さ一覧
Stacking Height variation

	6	52885 series	55091 series
○	7		53625 series
	8		53647 series
	9		53649 series
	10		53627 series
	12	52901 series	55091 series
○	13		53625 series
	14		53647 series
	15		53649 series
	16		53627 series
本図製品該当高さ Height Application	嵌合高さ E Stacking Height	リセプタクル Receptacle	プラグ Plug



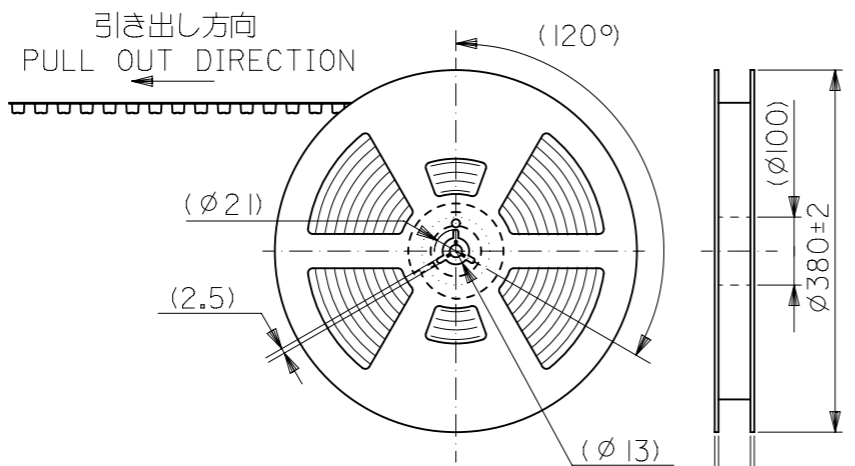
推奨基板寸法
RECOMMENDED PCB PATTERN LAYOUT
(SCALE:2-1)

GENERAL TOLERANCES (UNLESS SPECIFIED) 10 UNDER ± 0.2 10 OVER 30 UNDER ± 0.25 30 OVER ± 0.3 ANGULAR ± 3 ° DRAFT WHERE APPLICABLE MUST REMAIN WITHIN DIMENSIONS		THIS DRAWING CONTAINS INFORMATION THAT IS PROPRIETARY TO MOLEX ELECTRONIC TECHNOLOGIES, LLC AND SHOULD NOT BE USED WITHOUT WRITTEN PERMISSION DIMENSION UNITS: mm SCALE: -		CURRENT REV DESC: EC NO: 626810 DRWN: KYHWANG 2019/11/05 CHK'D: MSASAO 2019/11/05 APPR: YNAITO 2019/11/05 INITIAL REVISION: DRWN: YWADA 2004/05/26 APPR: MSASAO 2004/05/31				
		GENERAL TOLERANCES (UNLESS SPECIFIED) ANGULAR TOL ± 30 ° 4 PLACES ± 0.2 3 PLACES ± 0.25 2 PLACES ± 0.3 1 PLACE ± 0 PLACES ±						
DOCUMENT NUMBER: SD-53625-002 DOC TYPE: PSD DOC PART: 001 REVISION: D		MATERIAL NUMBER: SEE CHART CUSTOMER: GENERAL MARKET		SHEET NUMBER: 2 OF 2				

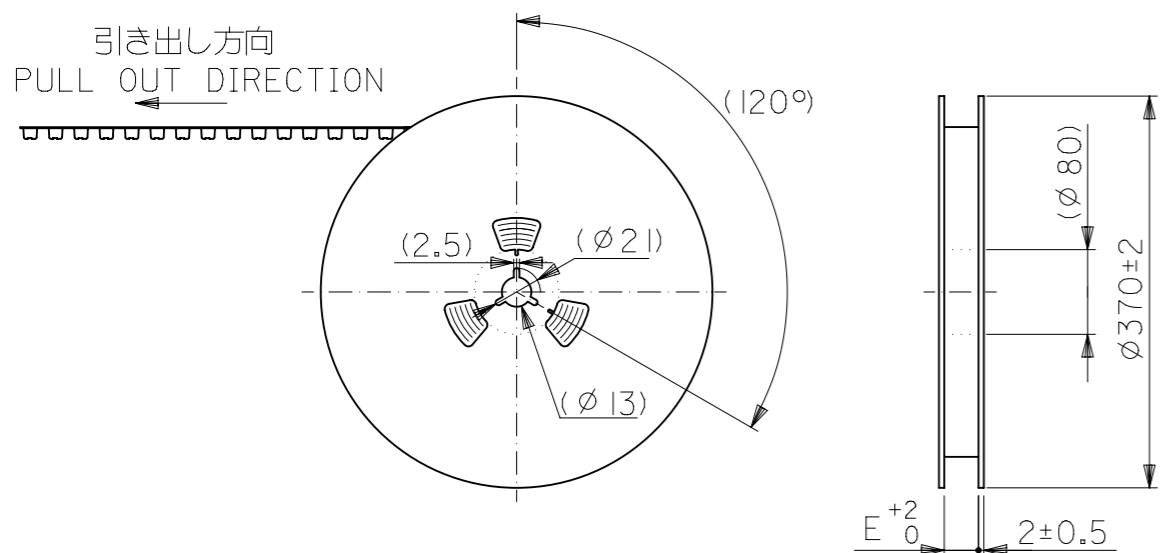


DETAIL T

キャリアテープ幅：24mm～56mm
CARRIER TAPE WIDTH : 24mm-56mm



キャリアテープ幅：88mm
CARRIER TAPE WIDTH : 88mm



キャリアテープ幅：72mm, 104mm
CARRIER TAPE WIDTH : 72mm, 104mm

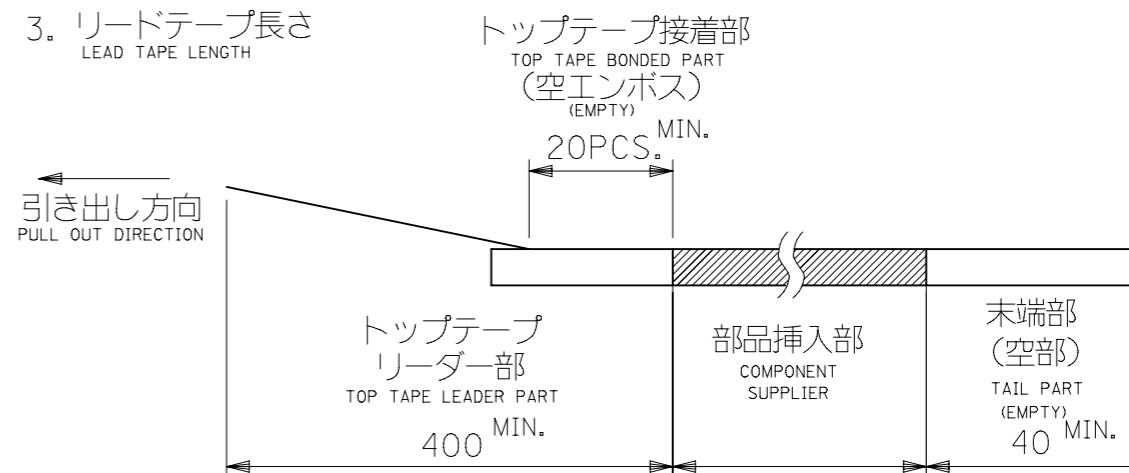
注)
NOTES

1. 製品番号 53625-***72 の詳細寸法については、SD-53625-002 を参照下さい。
IN THE PACKAGE, PART NO. 53625-***72 DETAILED DIMENSIONS, SEE SD-53625-002

2. 梱包数量 :
NUMBER OF CONNECTORS :

CIRCUITS	NUMBER
20~140	1000 PCS/REEL
160~240	800 PCS/REEL

3. リードテープ長さ
LEAD TAPE LENGTH



4. 材料

MATERIAL

キャリアテープ : ポリプロピレン (PP) : 30, 40, 50, 80, 90, 120, 140, 160, 240極
ポリスチレン (PS) : 20, 60, 70, 100, 180, 200極

CARRIER TAPE : POLYPROPYLENE (PP) : 30, 40, 50, 80, 90, 120, 140, 160, 240CKT
POLYSTYRENE (PS) : 20, 60, 70, 100, 180, 200CKT

トップテープ : PET, PE, PEF

TOP TAPE : PET, PE, PEF

リール

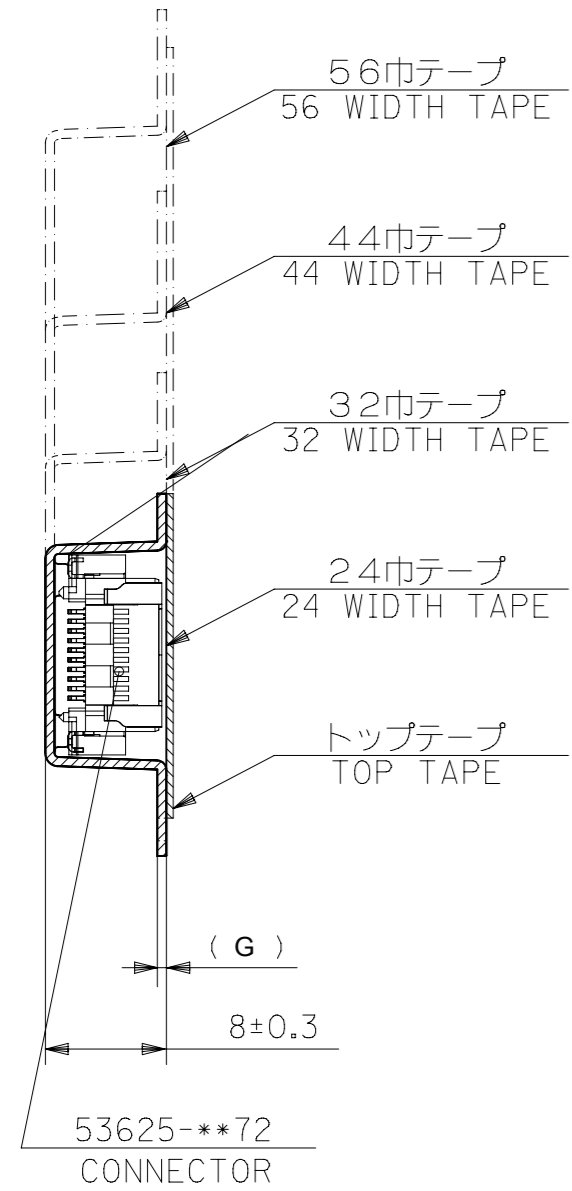
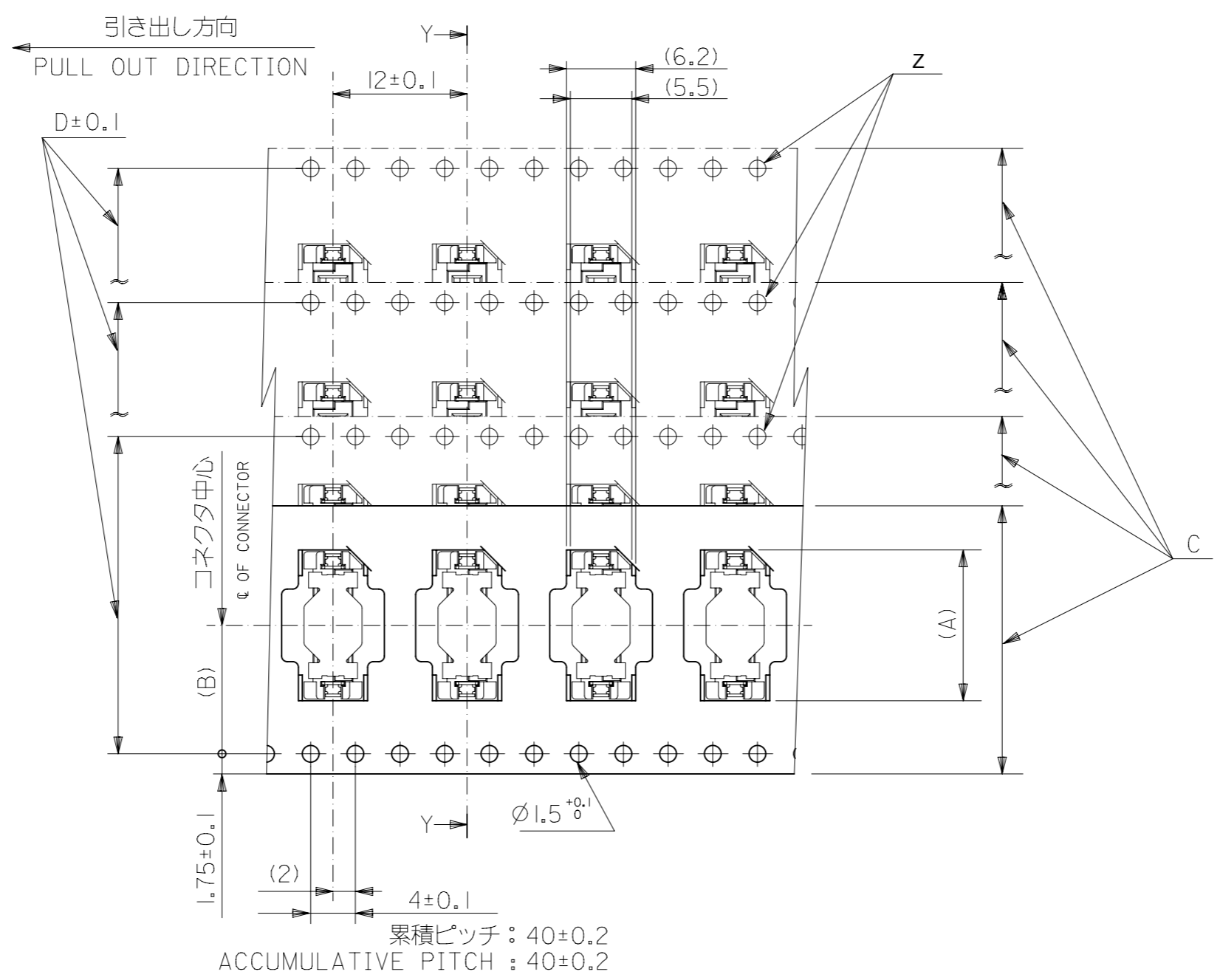
REEL

: キャリアテープ幅 24mm～56mm, 88mm : ポリスチレン
CARRIER TAPE WIDTH 24mm-56mm, 88mm : POLYSTYRENE
キャリアテープ幅 72mm, 104mm : 紙
CARRIER TAPE WIDTH 72mm, 104mm : CARD BOARD

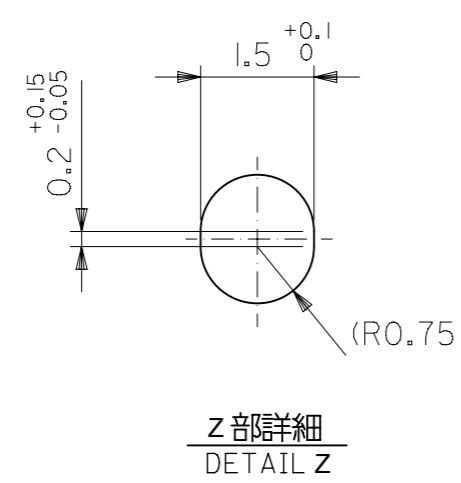
5. 本製品は53625-***4の鉛フリー品である。

THIS PRODUCT IS LEAD FREE OF 53625-***4.

DIMENSION UNITS		SCALE	CURRENT REV DESC:				molex				
mm		-					53625-***72 TAPING PACKAGE				
GENERAL TOLERANCES (UNLESS SPECIFIED)							EC NO: 175909				
ANGULAR TOL ± 30°							DRWN: RMIYAMOTO		2018/03/16		PRODUCT CUSTOMER DRAWING
4 PLACES ± 0.2							CHK'D: KSASAKI		2018/05/01		DOCUMENT NUMBER
3 PLACES ± 0.25							APPR: RTAKEUCHI		2018/05/01		DOC TYPE
2 PLACES ± 0.3							INITIAL REVISION:				SD-53625-003
1 PLACE ±							DRWN: YWADA		2004/05/26		DOC PART
0 PLACES ±							APPR: MSASAO		2004/05/31		REVISION
DRAFT WHERE APPLICABLE MUST REMAIN WITHIN DIMENSIONS							THIRD ANGLE PROJECTION	DRAWING	SERIES	MATERIAL NUMBER	CUSTOMER
							A3-SIZE	53625	SEE CHART	GENERAL MARKET	SHEET NUMBER
											1 OF 3



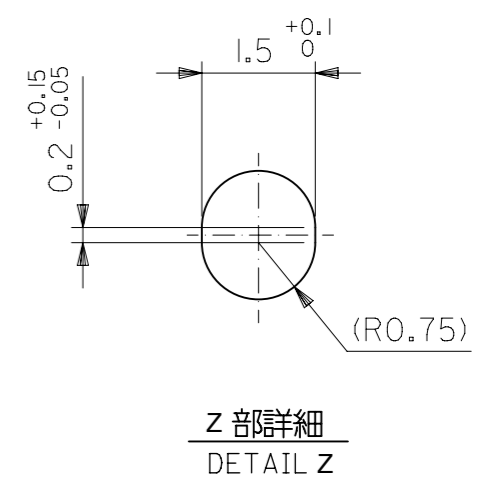
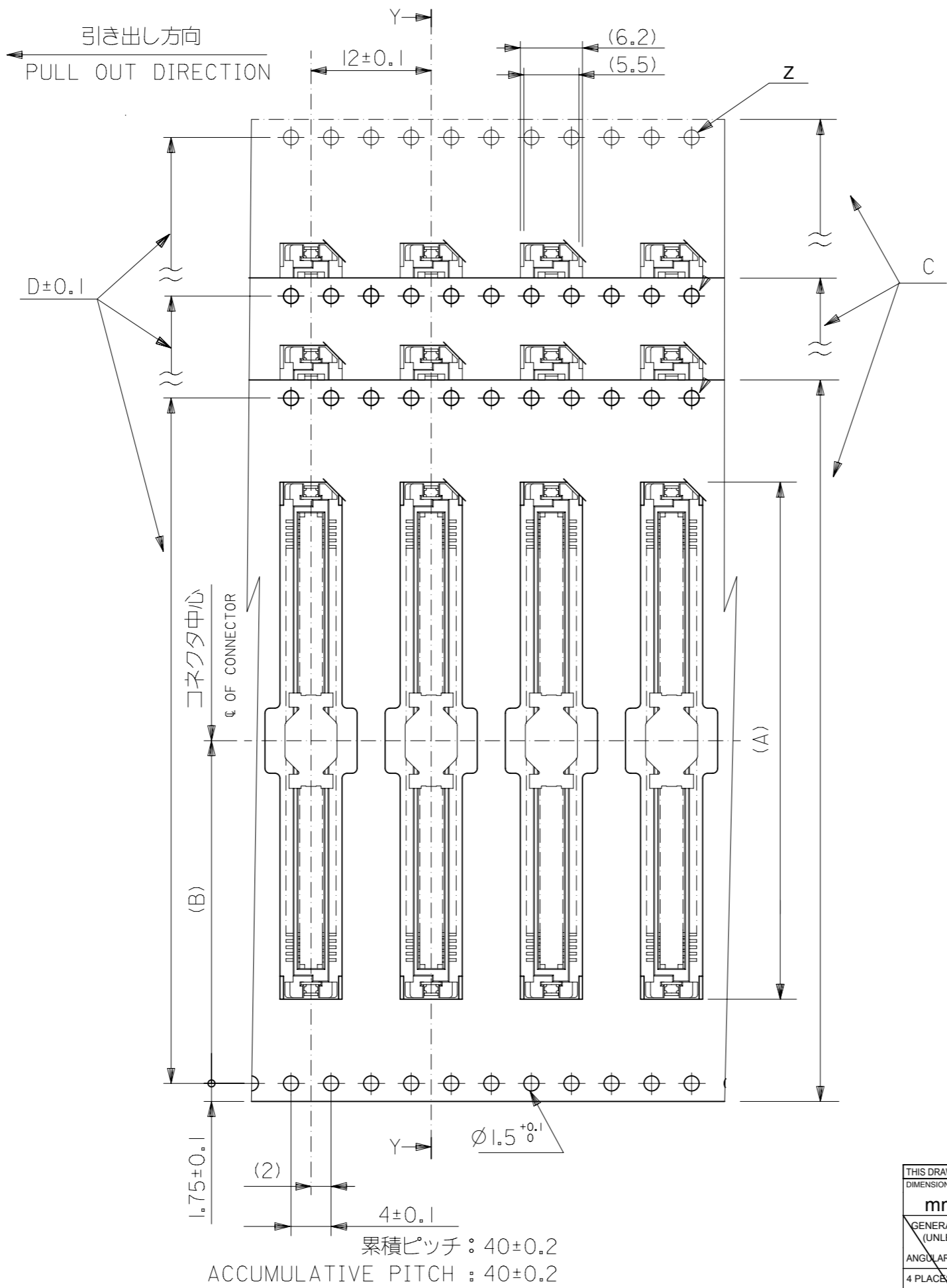
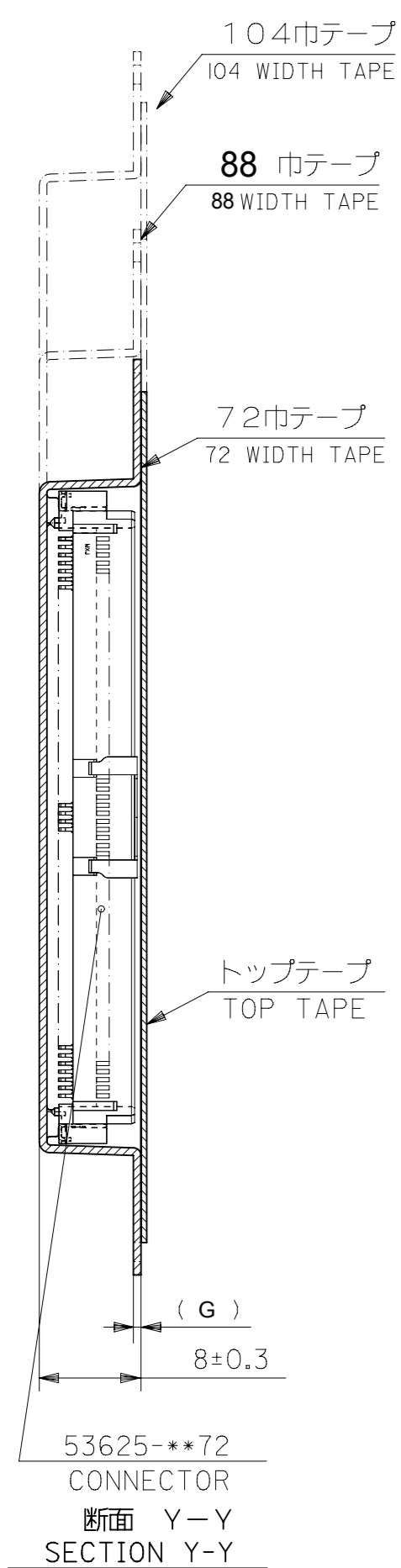
断面 Y-Y
SECTION Y-Y



PS	PS	0.5	61.4	57.4	52.4	56±0.3	26.2	38.9	53625-1074	100	
	PP	0.6						35.8	53625-0974	90	
	PS	0.5	49.4	45.4	40.4	44±0.3	20.2	29.4	53625-0874	80	
	PP	0.6						26.2	53625-0774	70	
	PS	0.5	29.4	25.4	-	24±0.3	11.5	13.5	53625-0674	60	
PP	0.6				23.1			53625-0574	50		
PP	0.6		37.4	33.4	28.4	32±0.3	14.2	19.9	53625-0474	40	
PS	0.5				16.7			53625-0374	30		
PS	0.5					24±0.3	11.5	13.5	53625-0274	20	
PP	0.6										
リール REEL	キャリアテープ CARRIER TAPE	G	F	E	D	C キャリアテープ幅 CARRIER TAPE WIDTH		B	A	オーダー番号 ORDER NO.	極数 CKT

THIS DRAWING CONTAINS INFORMATION THAT IS PROPRIETARY TO MOLEX ELECTRONIC TECHNOLOGIES, LLC AND SHOULD NOT BE USED WITHOUT WRITTEN PERMISSION

DIMENSION UNITS mm	SCALE -	CURRENT REV DESC:		molex		
GENERAL TOLERANCES (UNLESS SPECIFIED)		EC NO: 175909				
ANGULAR TOL ± 30°		DRWN: RMIYAMOTO	2018/03/16	PRODUCT CUSTOMER DRAWING		
4 PLACES ± 0.2		CHK'D: KSASAKI	2018/05/01			
3 PLACES ± 0.25		APPR: RTAKEUCHI	2018/05/01	DOC TYPE PSD		
2 PLACES ± 0.3		INITIAL REVISION:				
1 PLACE ±		DRWN: YWADA	2004/05/26	REVISION B		
0 PLACES ±		APPR: MSASAO	2004/05/31			
DRAFT WHERE APPLICABLE MUST REMAIN WITHIN DIMENSIONS	THIRD ANGLE PROJECTION	DRAWING A3-SIZE	SERIES 53625	CUSTOMER GENERAL MARKET		



CARD BOARD	PP	0.6	-	104.4	100.4	104±0.3	50.2	83.4	53625-2474	240
PS	PS	0.5	94	90	84.4	88±0.3	42.2	70.7	53625-2074	200
								64.4	53625-1874	180
CARD BOARD	PP	0.6	-	72.4	68.4	72±0.3	34.2	58	53625-1674	160
								51.6	53625-1474	140
								45.3	53625-1274	120
リール REEL	キャリアテープ CARRIER TAPE	G	F	E	D	C キャリアテープ幅 CARRIER TAPE WIDTH	B	A	オーダー番号 ORDER NO.	極数 CKT

THIS DRAWING CONTAINS INFORMATION THAT IS PROPRIETARY TO MOLEX ELECTRONIC TECHNOLOGIES, LLC AND SHOULD NOT BE USED WITHOUT WRITTEN PERMISSION

DIMENSION UNITS	SCALE	CURRENT REV DESC:		molex	
mm	-				
GENERAL TOLERANCES (UNLESS SPECIFIED)		EC NO: 175909		53625-**72 TAPING PACKAGE	
ANGULAR TOL	± 30°	DRWN: RMIYAMOTO	2018/03/16		
4 PLACES	± 0.2	CHK'D: KSASAKI	2018/05/01		
3 PLACES	± 0.25	APPR: RTAKEUCHI	2018/05/01	PRODUCT CUSTOMER DRAWING	
2 PLACES	± 0.3	INITIAL REVISION:		DOCUMENT NUMBER	
1 PLACE	±	DRWN: YWADA	2004/05/26	SD-53625-003	
0 PLACES	±	APPR: MSASAO	2004/05/31	DOC TYPE	DOC PART
DRAFT WHERE APPLICABLE MUST REMAIN WITHIN DIMENSIONS		THIRD ANGLE PROJECTION	DRAWING	SERIES	MATERIAL NUMBER
			A3-SIZE	53625	SEE CHART
				CUSTOMER	SHEET NUMBER
				GENERAL MARKET	3 OF 3