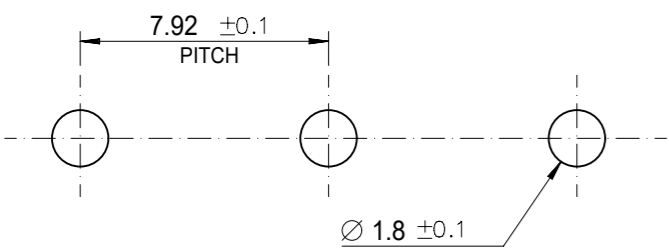
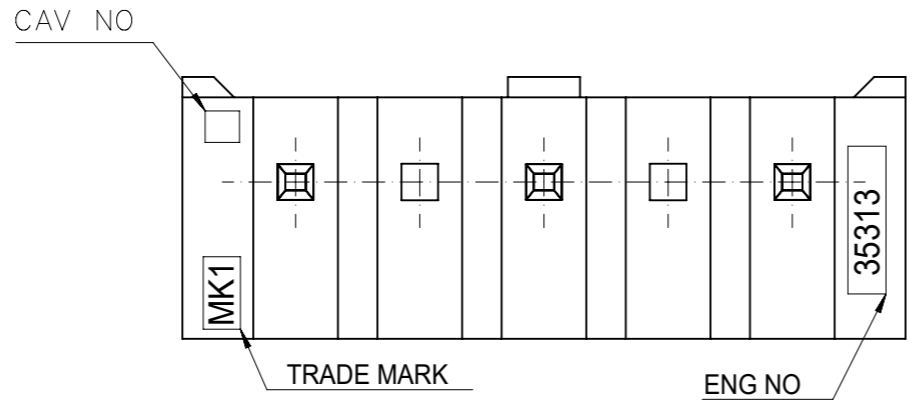
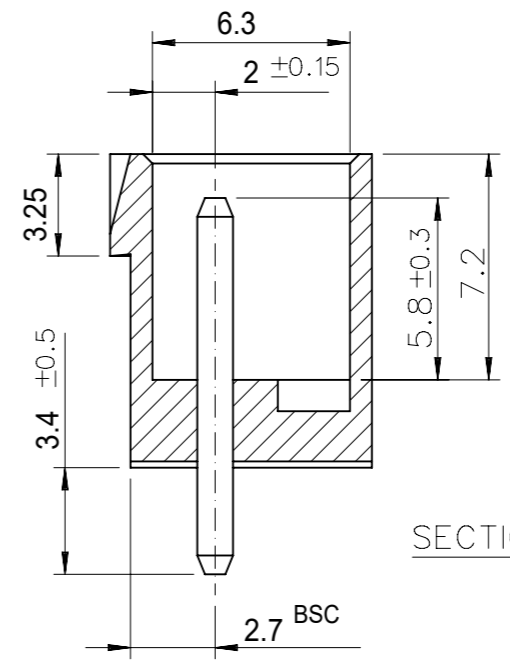
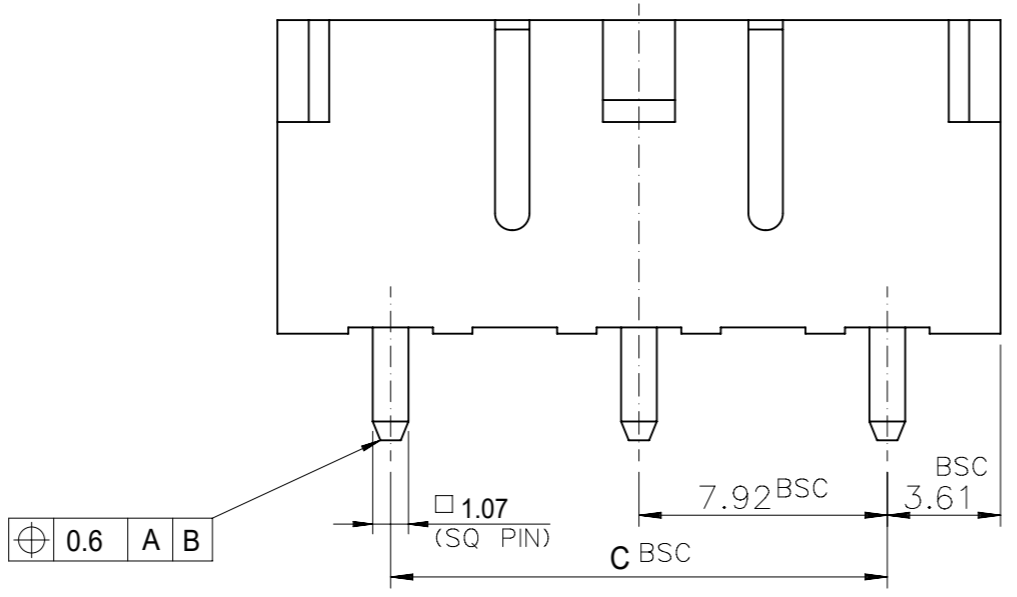
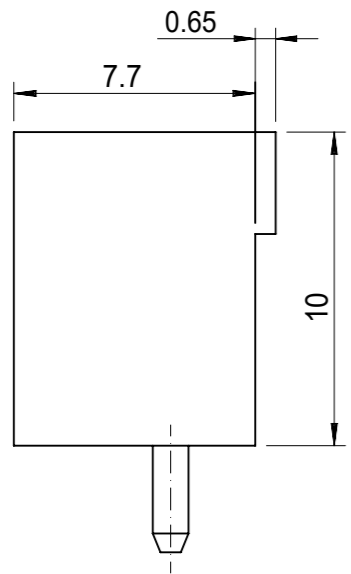


**NOTE**  
 1. MATERIAL : WAFER : NYLON66, GLASS FILLED 20%  
 PIN : BRASS, TIN PLATED

**2. LEGEND**  
 35328-xx 6 \*  
 COLOR : 0 - NATURAL  
 1 - BLACK  
 2 - RED  
 3 - YELLOW  
 4 - BLUE  
 CKT NO.(02,03,04...)

**3. THIS PRODUCT SHALL BE COMPLIED WITH  
 RoHS COMPATIBLE(LEAD FREE SOLDERABILITY)**



P.C.BOARD LAYOUT  
 THK. : 1.6 t

23.76	28.98	30.98	35328046*	35328-046*	4
15.84	21.06	23.06	35328036*	35328-036*	3
7.92	13.14	15.14	35328026*	35328-026*	2
C	B	A	MAT'L NO.	ENG NO.	CKT NO.

THIS DRAWING CONTAINS INFORMATION THAT IS PROPRIETARY TO MOLEX ELECTRONIC TECHNOLOGIES, LLC AND SHOULD NOT BE USED WITHOUT WRITTEN PERMISSION

DIMENSION UNITS <b>mm</b>	SCALE <b>3.5:1</b>	CURRENT REV DESC: REMOVED OBSOLETE PART NUMBERS AS PER PCN#510808.			
GENERAL TOLERANCES (UNLESS SPECIFIED)		<p><b>molex</b></p> <p>7.92 W/B CONN. ASS'Y          ROHS COMPATIBLE</p> <p>PRODUCT CUSTOMER DRAWING</p>			
4 PLACES	±				
3 PLACES	± 0.0 ±				
2 PLACES	± 0.2 ±				
1 PLACE	± 0.2 ±				
0 PLACES	±	EC NO: 736640	2023/02/01	DOC TYPE	DOC PART
ANGULAR TOL	± 2.0°	DRWN: LIKITV	2023/02/16	PSD	001
DRAFT WHERE APPLICABLE MUST REMAIN WITHIN DIMENSIONS		APPR: GGA	2023/02/16	REVISION	
THIRD ANGLE PROJECTION		INITIAL REVISION:	DOCUMENT NUMBER		
DRAWING		DRWN: K.S.KIM	SD-35328-001		
SERIES		APPR: S.H.CHOI	CUSTOMER		
A3-SIZE		MATERIAL NUMBER		GENERAL MARKET	
35328		CUSTOMER		SHEET NUMBER	
SEE TABLE		GENERAL MARKET		1 OF 1	