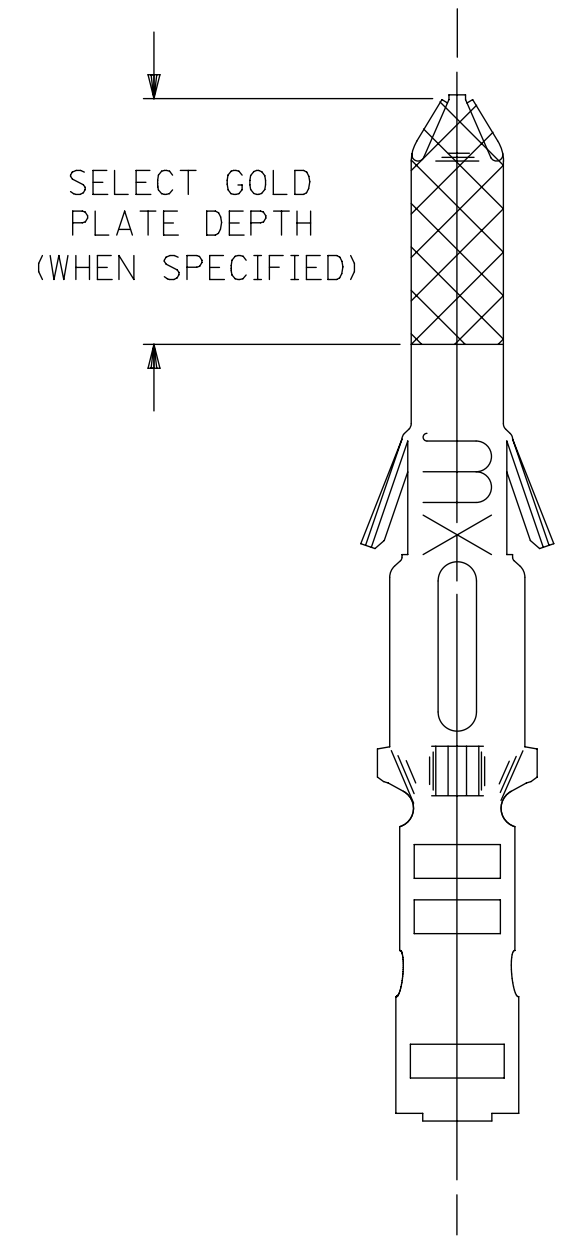
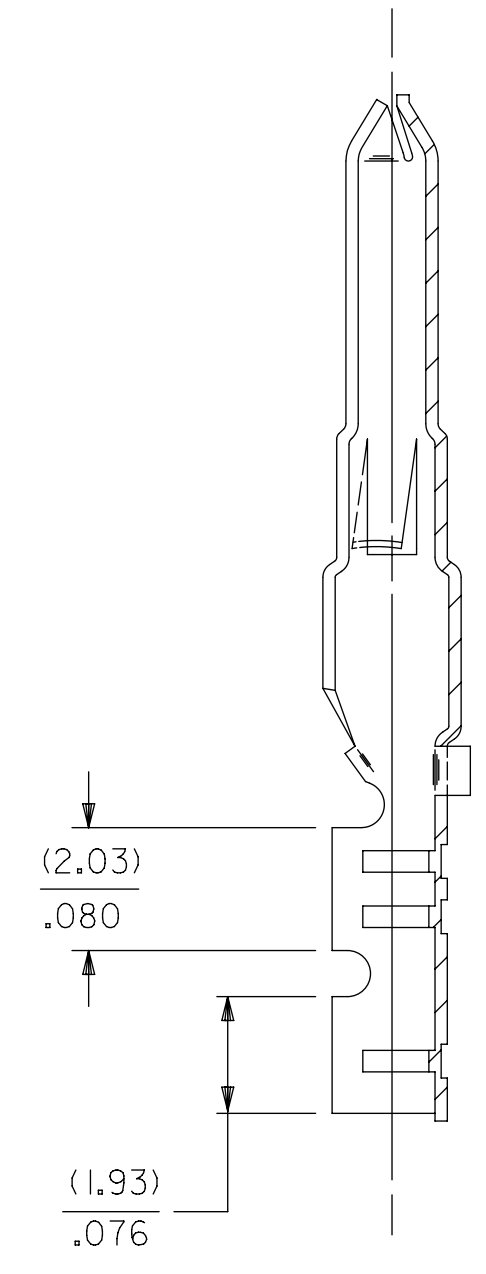
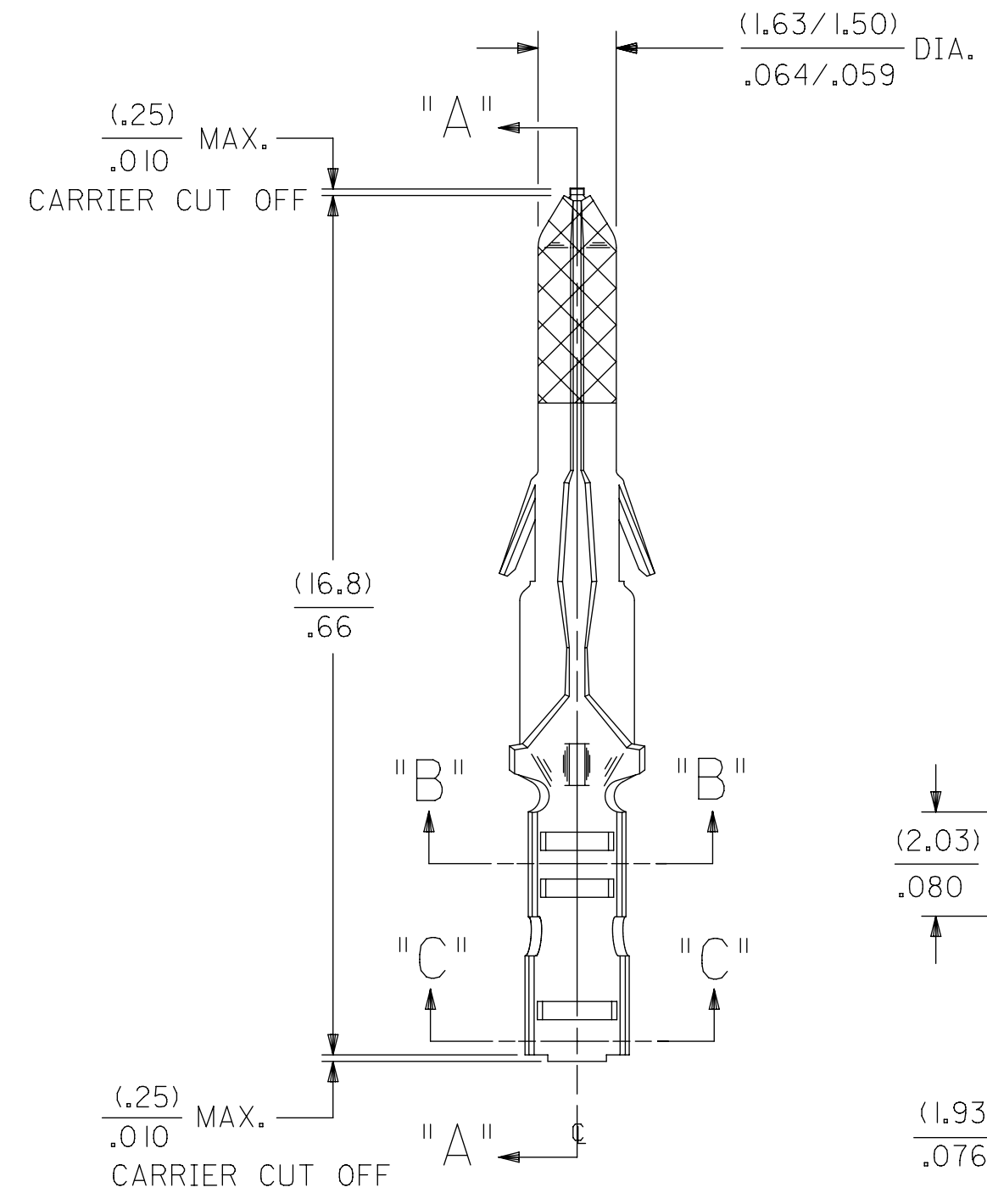
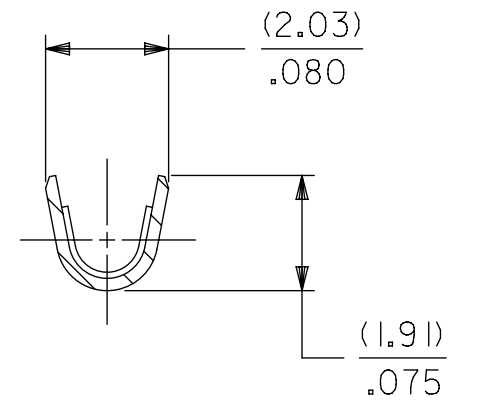
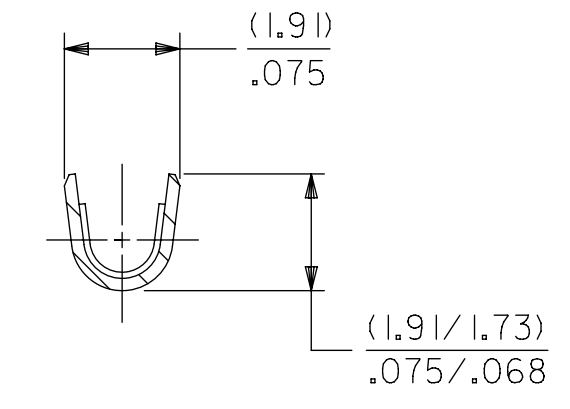
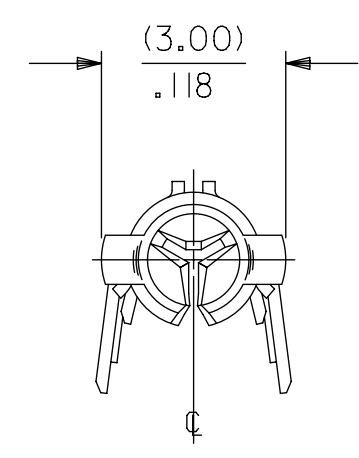
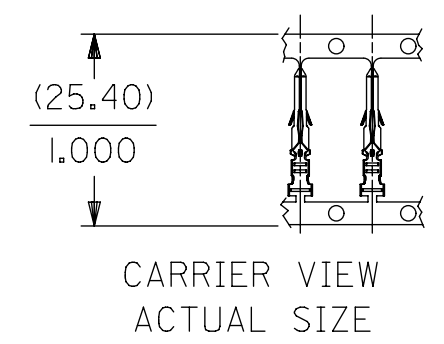


| PART NO.   | ENG. NO.     |
|------------|--------------|
| 02-06-2131 | 1854-(90 I)  |
| 02-06-2132 | 1854-(90 I)L |
| 02-06-6138 | 1854-(56 I)  |
| 02-06-6139 | 1854-(56 I)L |
| 02-06-6130 | 1854-(550)   |
| 02-06-6135 | 1854-(550)L  |
| 02-06-6143 | 1854-(228 )  |
| 02-06-6144 | 1854-(228 )L |



LEGEND

1854-(\*\*\*\*)\*

P=PREPLATE      FORM  
BLANK=POSTPLATE      BLANK=CHAIN  
FINISH CODE      L=LOOSE

- NOTES:
- MATERIAL: BRASS
  - FINISHES:
    - 901 HOT TIN DIP (.00051)/.000020 MIN.
    - 228 SELECT GOLD PLATE (.00075)/.000030 MIN. IN CONTACT AREA, SELECT TIN (.00250)/.000100 MIN. IN CRIMP AREA OVER (.00125)/.000050 MIN. NICKEL OVERALL
    - 561 SELECT GOLD PLATE (.00076)/.000030 MIN. IN CONTACT AREA, (.00127)/.000050 MIN. NICKEL OVERALL.
    - 550 SELECT GOLD PLATE (.00038)/.000015 MIN. IN CONTACT AREA, OVER (.00076)/.000030 MIN. NICKEL OVERALL WITH (.00025)/.000010 MAX. GOLD FLASH OVERALL.
  - PRODUCT SPECIFICATION: PS-02-06
  - PACKAGE INFORMATION:
    - LOOSE TERMINALS: PK-1190-003
    - CHAIN TERMINALS: 18540000-PK
  - TERMINAL FOR USE WITH (1.57)/.062 DIA. SERIES HOUSINGS AND WILL ACCEPT 24 THRU 30 AWG WIRE WITH (1.02/2.29)/.040/.090 INSULATION DIAMETER.

| THIS DRAWING CONTAINS INFORMATION THAT IS PROPRIETARY TO MOLEX ELECTRONIC TECHNOLOGIES, LLC AND SHOULD NOT BE USED WITHOUT WRITTEN PERMISSION |  |                 |                        |  |         |                                   |        |  |  |    |      |
|---|--|-----------------|------------------------|--|---------|-----------------------------------|--------|--|--|----|------|
| SYMBOLS   |  | DIMENSION UNITS |                        | SCALE  |         | CURRENT REV DESC: REMOVE OBSOLETE |        |  |  |    |      |
| ▽ = 0   | MM/INCH  | 8:1             |                        | EC NO: 632666<br>DRWN: MKIPPER 2020/02/25<br>CHK'D: DSTEIER 2020/02/26<br>APPR: FSMITH 2020/06/05<br>INITIAL REVISION:<br>DRWN: RFC_PLMIMP 2018/12/01<br>APPR: JCOMERCI 2001/10/22 |         |                                   |        |  |  |    |      |
| ▽ = 0   | GENERAL TOLERANCES (UNLESS SPECIFIED)                |                 |                        |  |         |                                   |        |  |  |    |      |
| ▽ = 0   | 4 PLACES   | ±               | ±                      |  |         |                                   |        |  |  | MM | INCH |
| ▽ = 0   | 3 PLACES   | ±               | ± 0.01                 |  |         |                                   |        |  |  |    |      |
| ▽ = 0   | 2 PLACES   | ± 0.25          | ± 0.014                |  |         |                                   |        |  |  |    |      |
| ▽ = 0   | 1 PLACE  | ± 0.35          | ±                      |  |         |                                   |        |  |  |    |      |
| ▽ = 0   | 0 PLACES   | ±               | ±                      |  |         |                                   |        |  |  |    |      |
| ▽ = 0   | ANGULAR TOL  | ± 0.5°          |                        |  |         |                                   |        |  |  |    |      |
| ▽ = 0   | DRAFT WHERE APPLICABLE MUST REMAIN WITHIN DIMENSIONS |                 | THIRD ANGLE PROJECTION |  | DRAWING |                                   | SERIES |  |  |    |      |
|   |  |                 |                        |  |         | C-SIZE                            | 1854   |  |  |    |      |

**molex**

CRIMP TERMINAL, MALE  
.062 DIA. FOR 24-30 AWG WIRE

PRODUCT CUSTOMER DRAWING

| DOCUMENT NUMBER | DOC TYPE       | DOC PART     | REVISION |
|-----------------|----------------|--------------|----------|
| SD-1854-X       | PSD            | 001          | AR1      |
| MATERIAL NUMBER | CUSTOMER       | SHEET NUMBER |          |
| SEE CHART       | GENERAL MARKET | 1 OF 1       |          |