

8

7

6

5

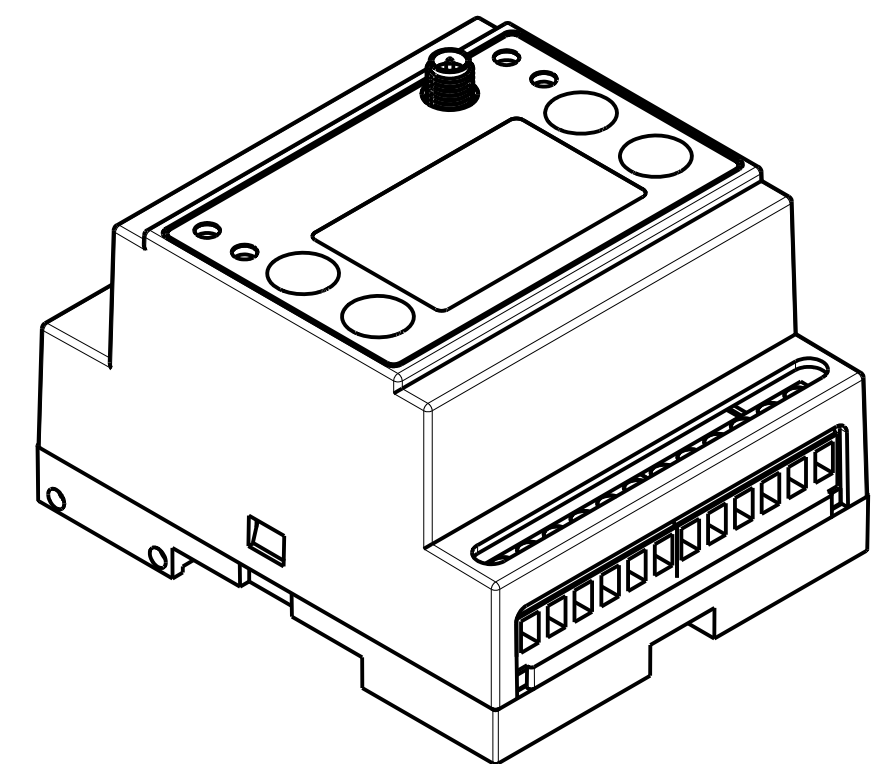
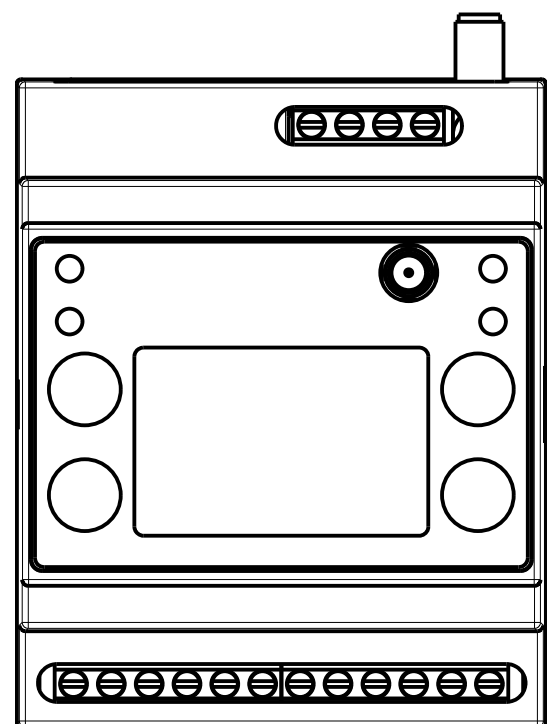
4

3

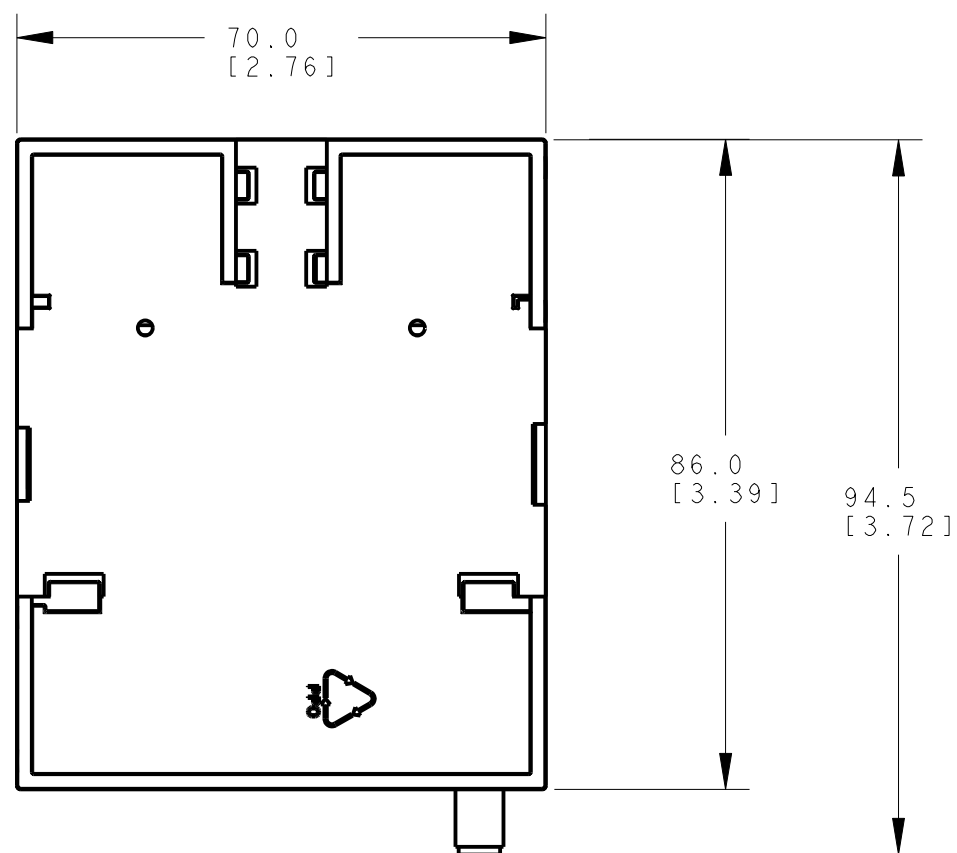
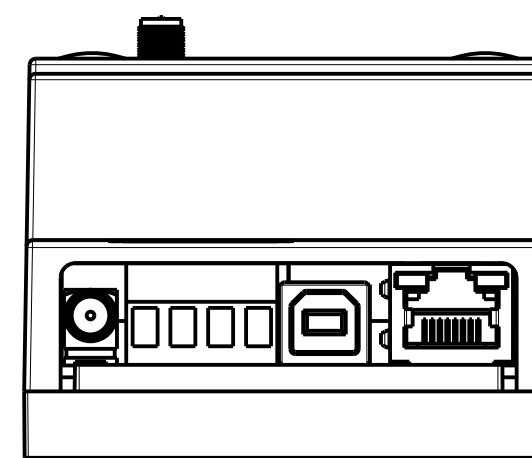
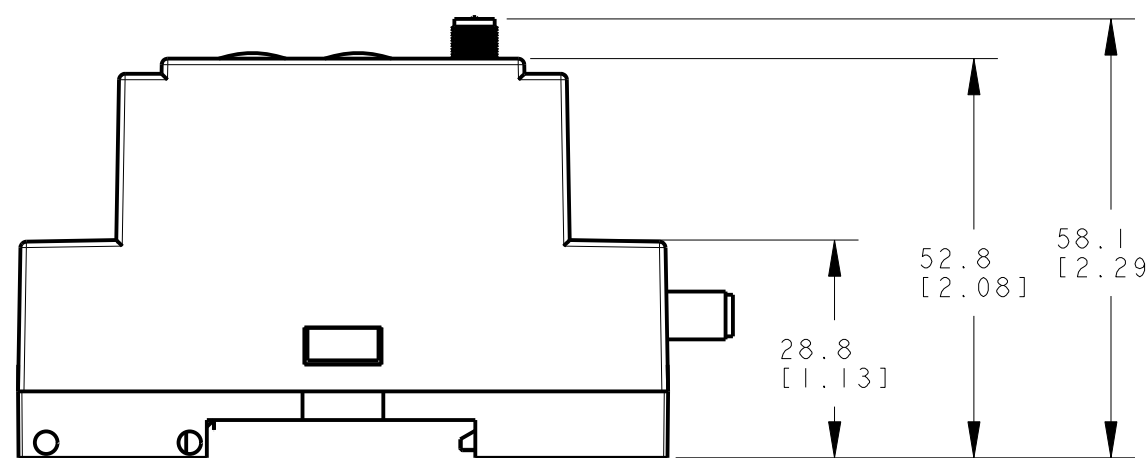
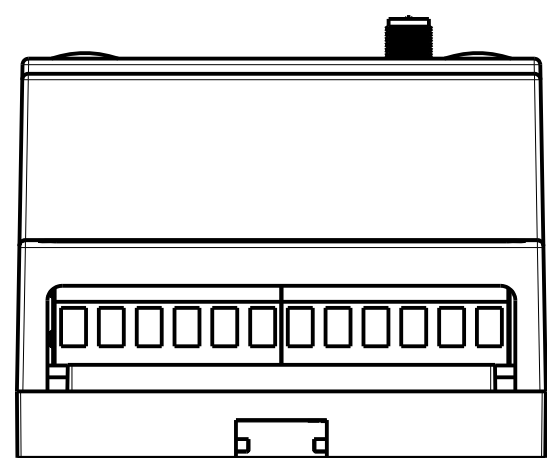
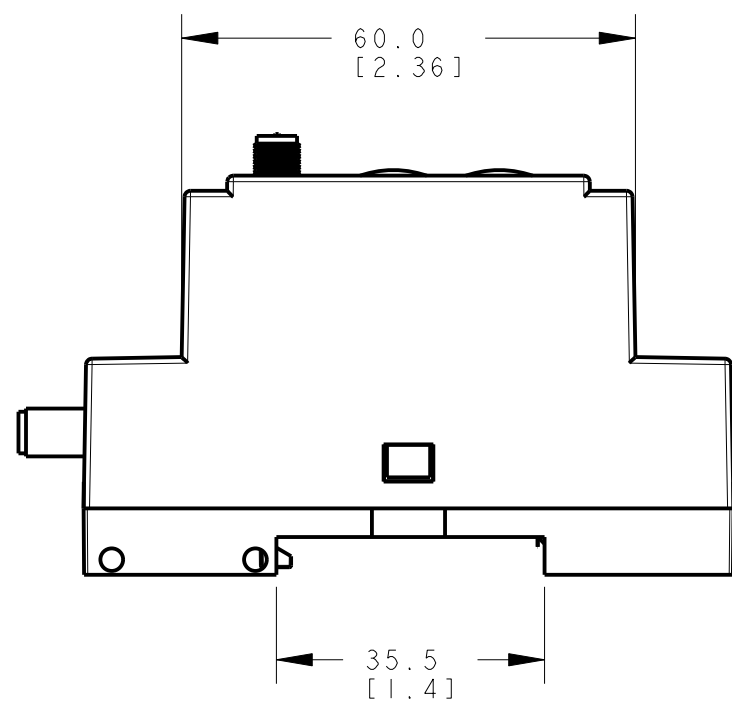
2

1

DXM700



ISOMETRIC VIEW



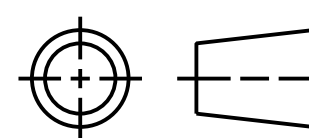
NOTES:
 1. ALL DIMENSIONS ARE MILLIMETERS [INCHES] UNLESS OTHERWISE NOTED.
 2. REFER TO "www.bannerengineering.com" FOR ADDITIONAL DATA AND SPECIFICATIONS.

This drawing is the property of BANNER ENGINEERING CORP. Any use or reproduction, in any form, without prior written permission of Banner is prohibited.
 © 2015 Banner Engineering Corp.



BANNER ENGINEERING CORP.
 www.bannerengineering.com

THIRD ANGLE PROJECTION



TITLE

STARTERKIT700 CM

SIZE C	DRAWING NO. 218786	REV. A
--------	--------------------	--------

SCALE 1:1	SHEET 1 OF 5
-----------	--------------

CREO

8

7

6

5

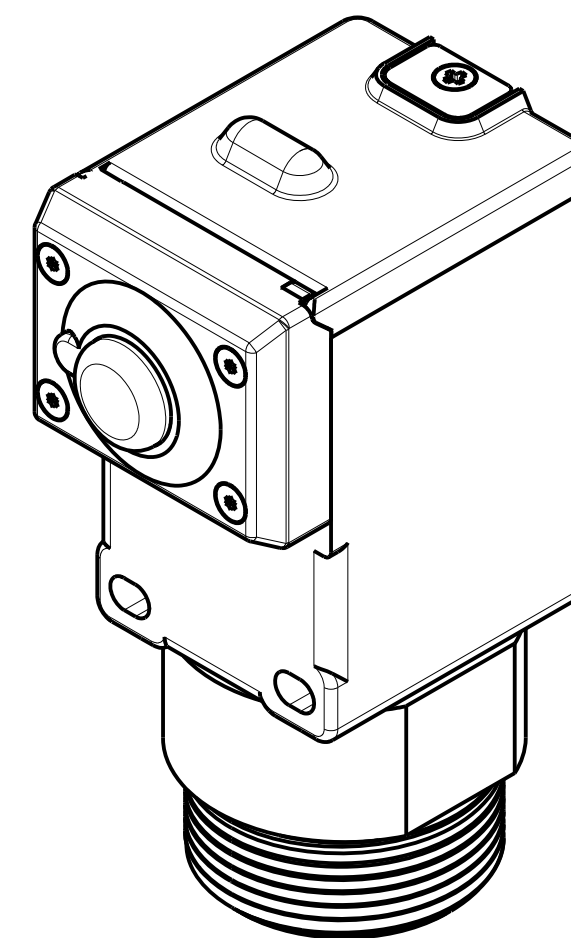
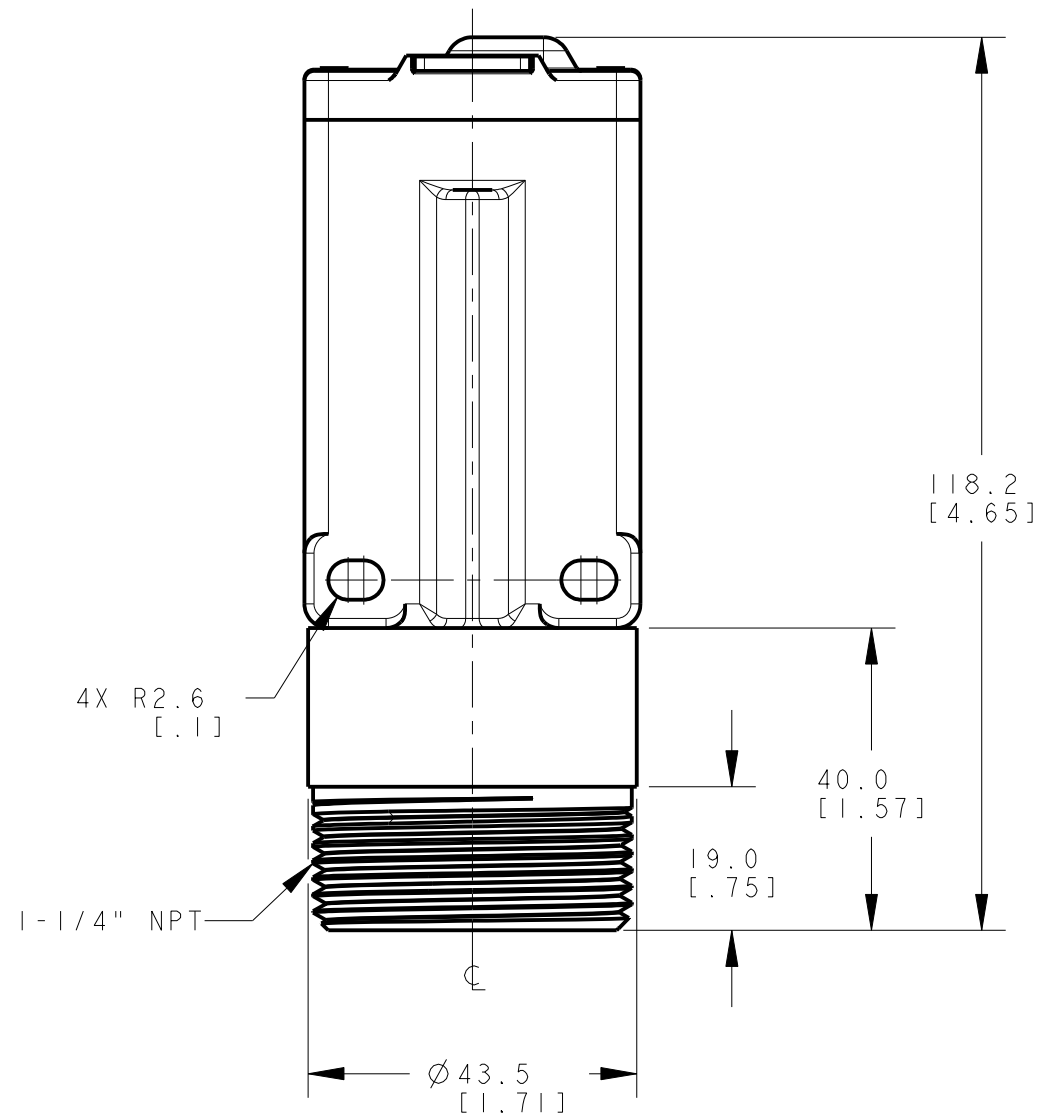
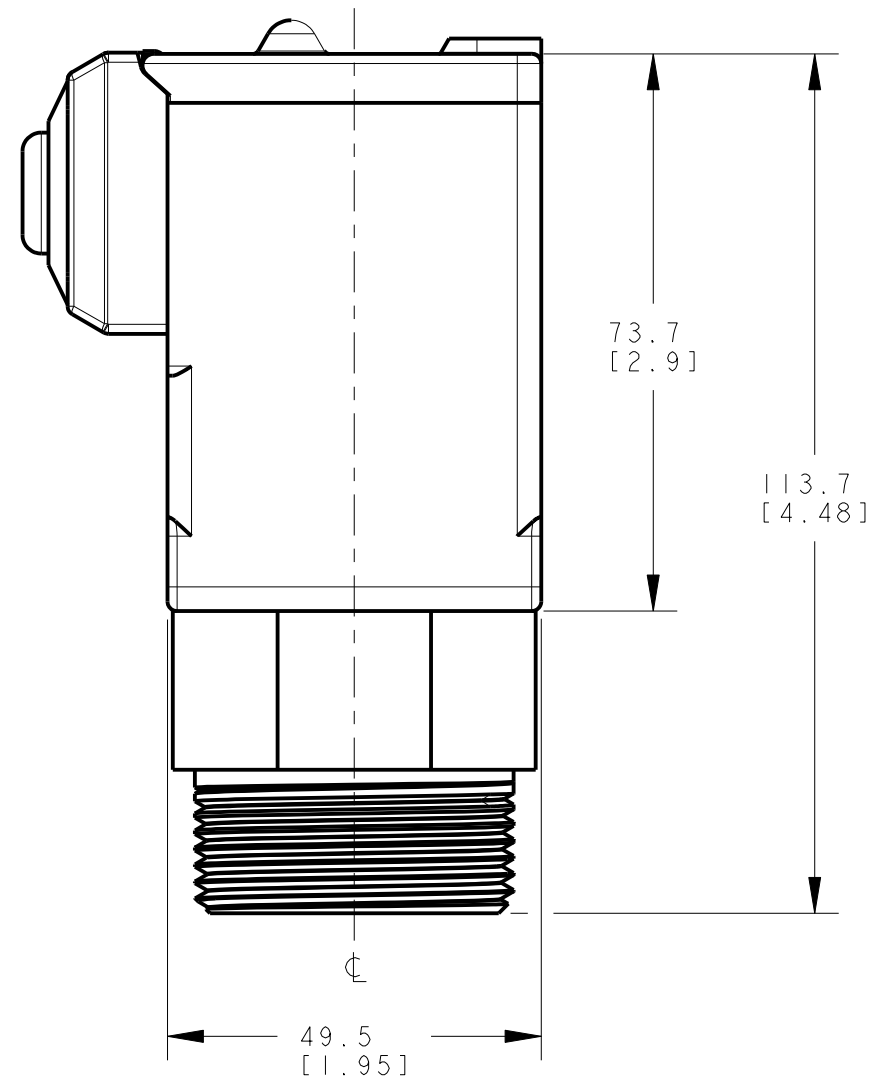
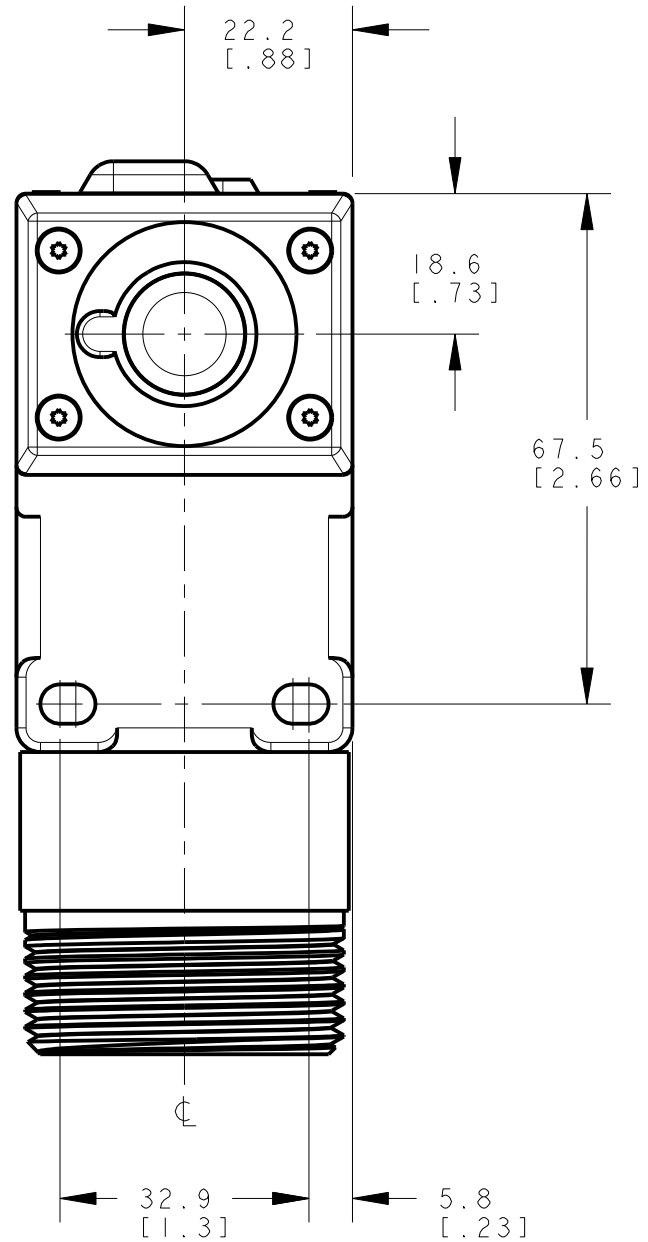
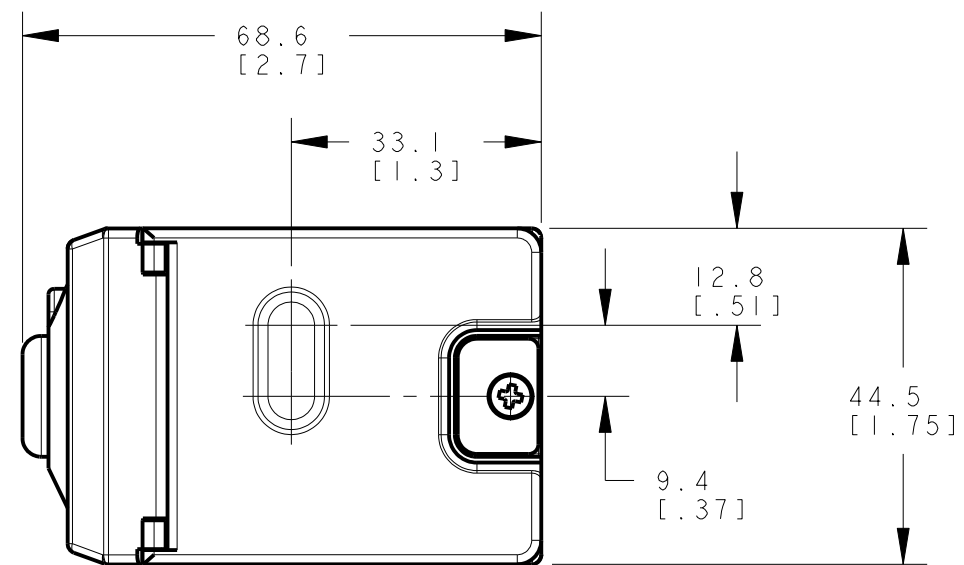
4

3

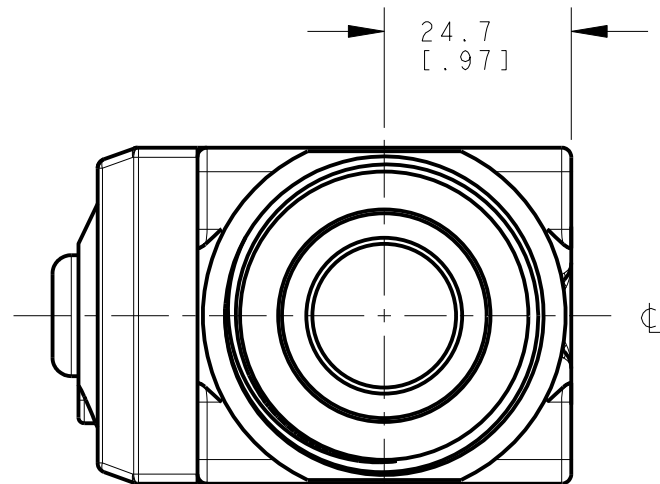
2

1

DX80NQ45UA ULTRASONIC



ISOMETRIC VIEW
SCALE 1:1



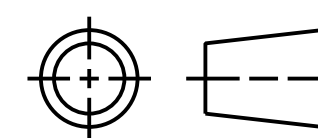
NOTES:
1. ALL DIMENSIONS ARE MILLIMETERS [INCHES] UNLESS OTHERWISE NOTED.
2. REFER TO "www.bannerengineering.com" FOR ADDITIONAL DATA AND SPECIFICATIONS.

This drawing is the property of BANNER ENGINEERING CORP. Any use or reproduction, in any form, without prior written permission of Banner is prohibited. © 2015 Banner Engineering Corp.

BANNER BANNER ENGINEERING CORP.
www.bannerengineering.com

TITLE
STARTERKIT700 CM

THIRD ANGLE PROJECTION

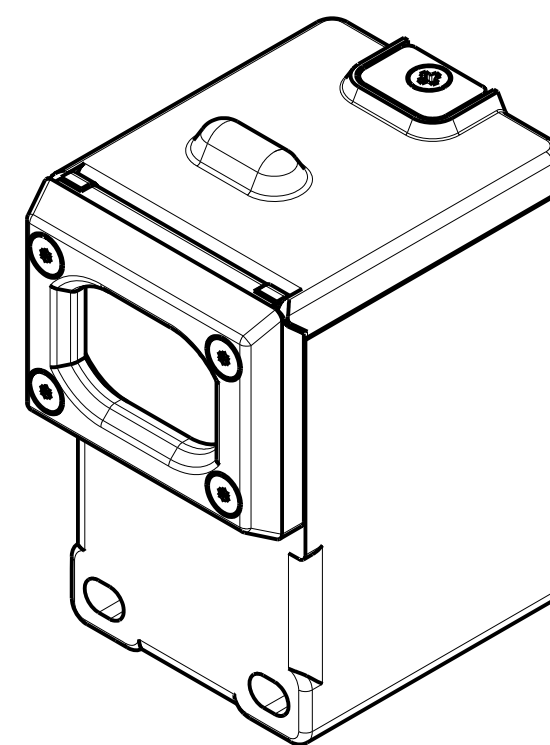
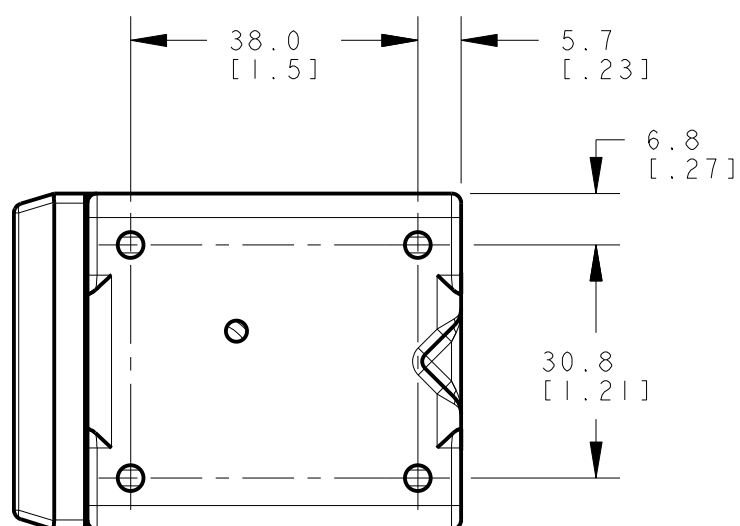
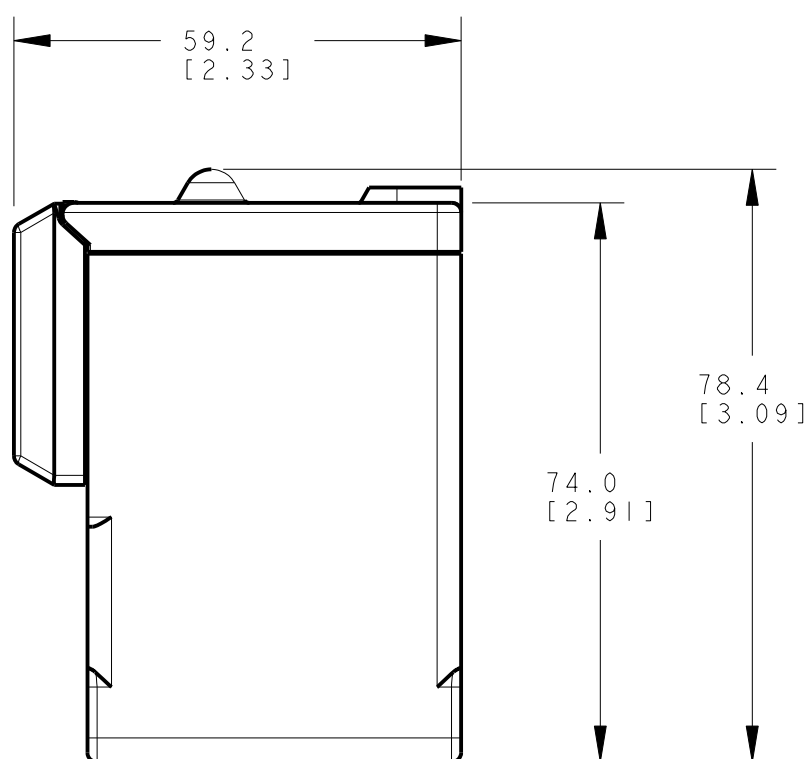
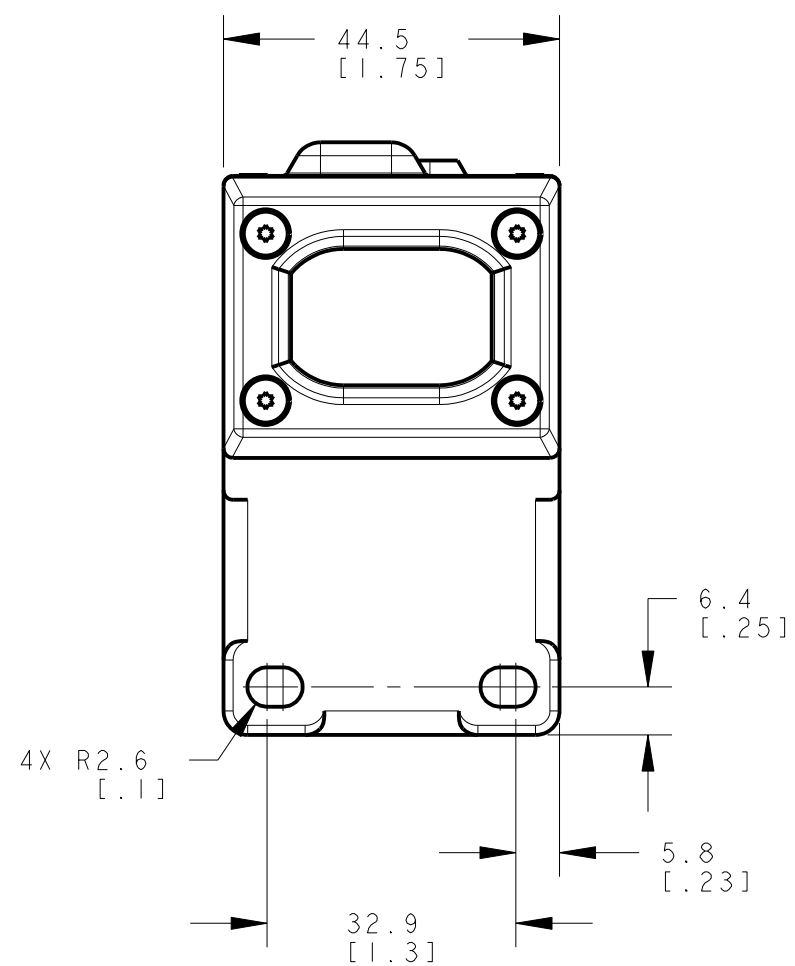
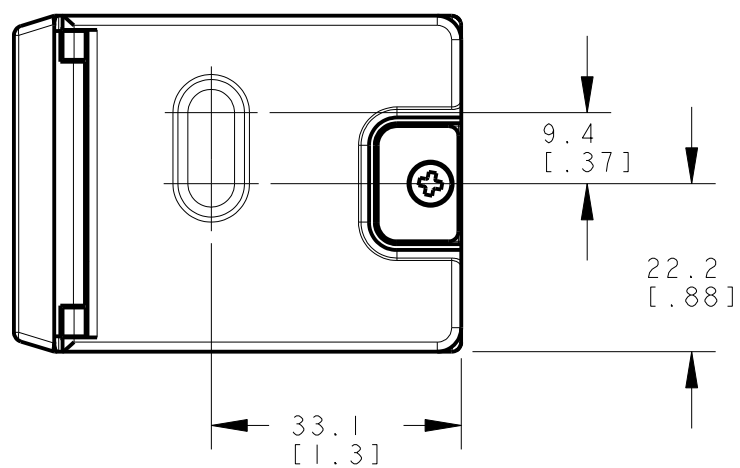


SIZE C DRAWING NO. **218786** REV. **A**

SCALE 1:1 SHEET 2 OF 5

CREO

DX80Q45VA



ISOMETRIC VIEW
SCALE 1:1

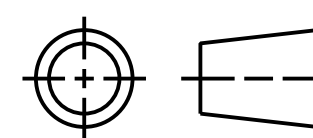
NOTES:
1. ALL DIMENSIONS ARE MILLIMETERS [INCHES] UNLESS OTHERWISE NOTED.
2. REFER TO "www.bannerengineering.com" FOR ADDITIONAL DATA AND SPECIFICATIONS.

This drawing is the property of BANNER ENGINEERING CORP. Any use or reproduction, in any form, without prior written permission of Banner is prohibited.
© 2015 Banner Engineering Corp.



BANNER ENGINEERING CORP.
www.bannerengineering.com

THIRD ANGLE PROJECTION



TITLE

STARTERKIT700 CM

SIZE C DRAWING NO. 218786 REV. A

SCALE 1:1 SHEET 3 OF 5

CREO

8

7

6

5

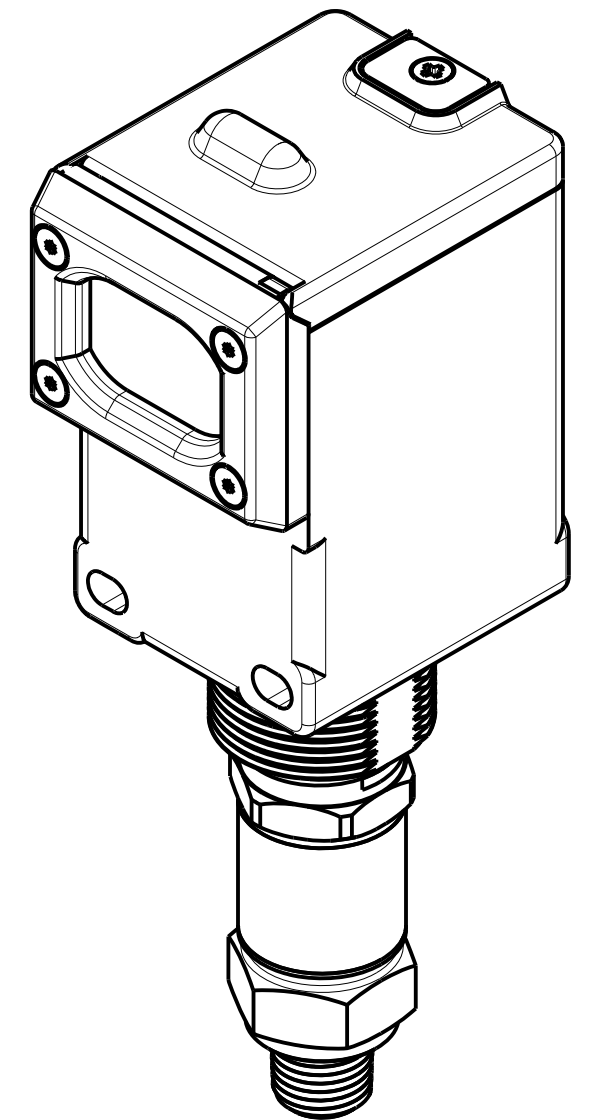
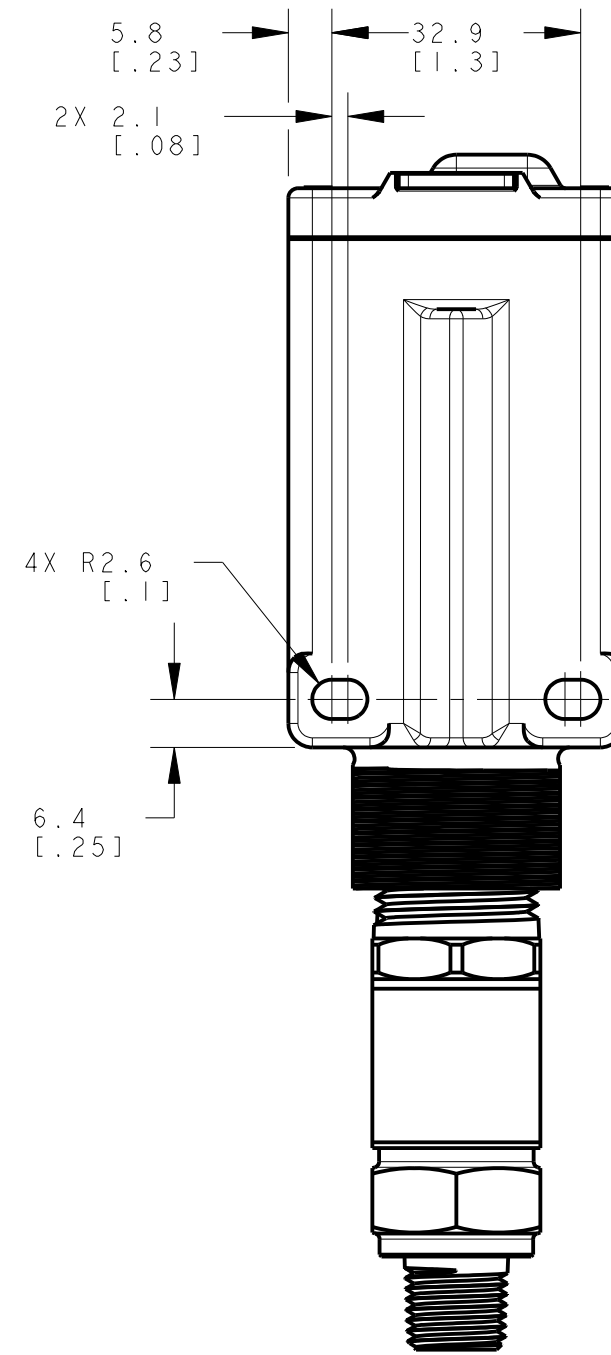
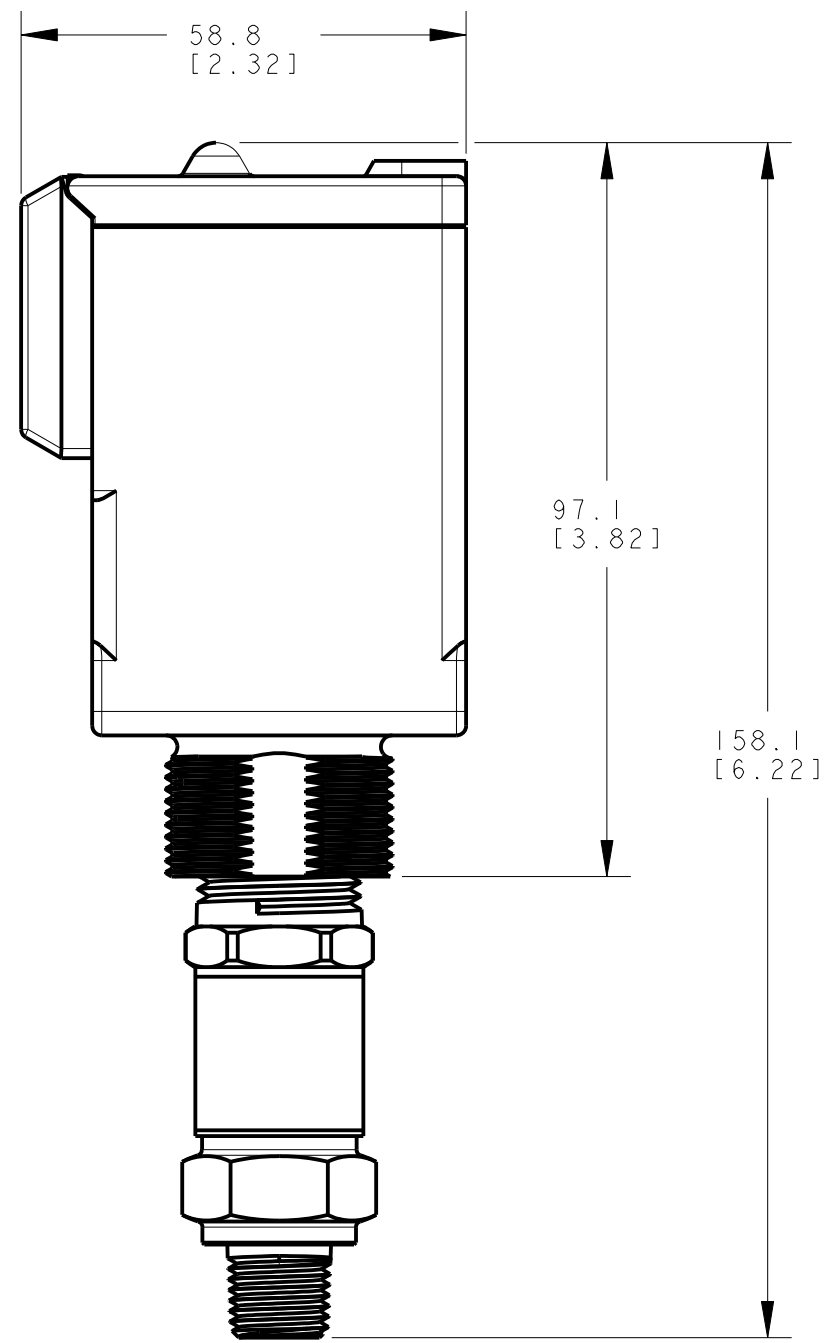
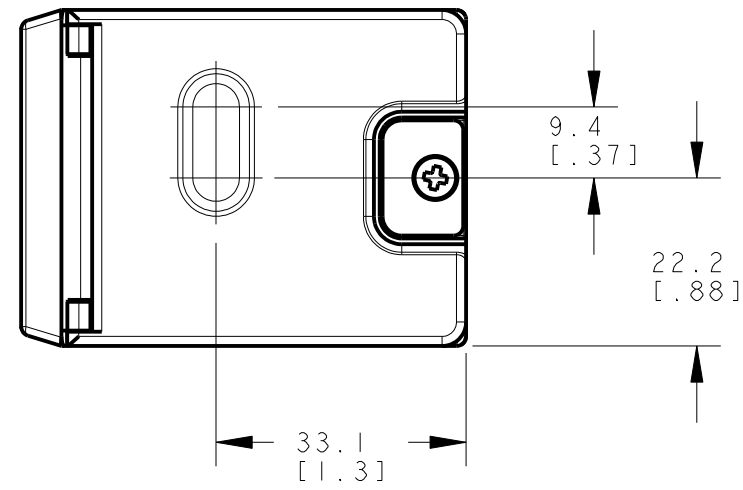
4

3

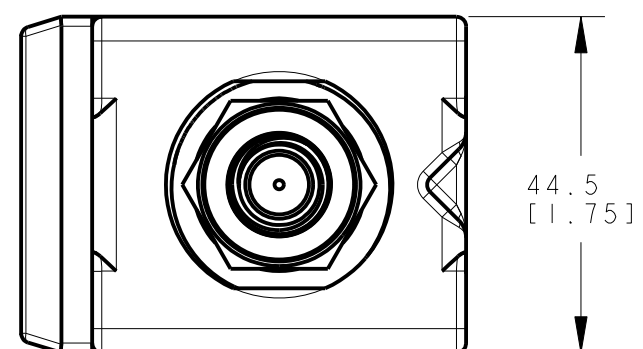
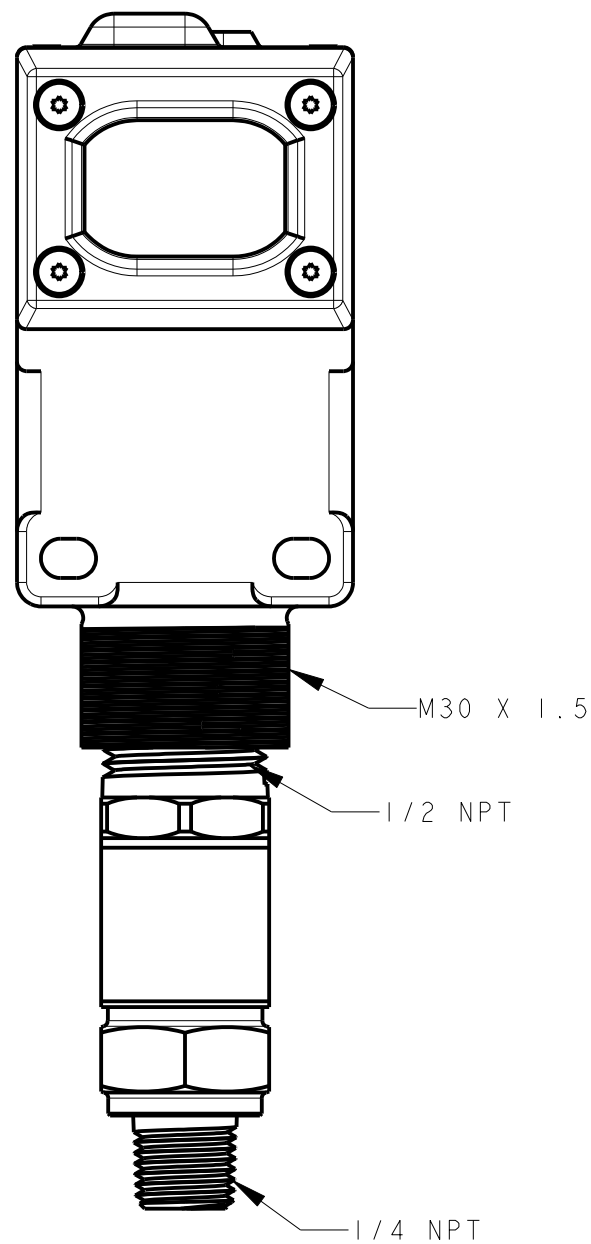
2

1

Q45PSG



ISOMETRIC VIEW



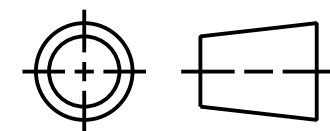
NOTES:
 1. ALL DIMENSIONS ARE MILLIMETERS [INCHES] UNLESS OTHERWISE NOTED.
 2. REFER TO "www.bannerengineering.com" FOR ADDITIONAL DATA AND SPECIFICATIONS.

This drawing is the property of BANNER ENGINEERING CORP. Any use or reproduction, in any form, without prior written permission of Banner is prohibited.
 © 2015 Banner Engineering Corp.

BANNER BANNER ENGINEERING CORP.
 www.bannerengineering.com

TITLE
STARTERKIT700 CM

THIRD ANGLE PROJECTION



SIZE C DRAWING NO. **218786** REV. **A**

SCALE 1:1 SHEET 4 OF 5

CREO

8

7

6

5

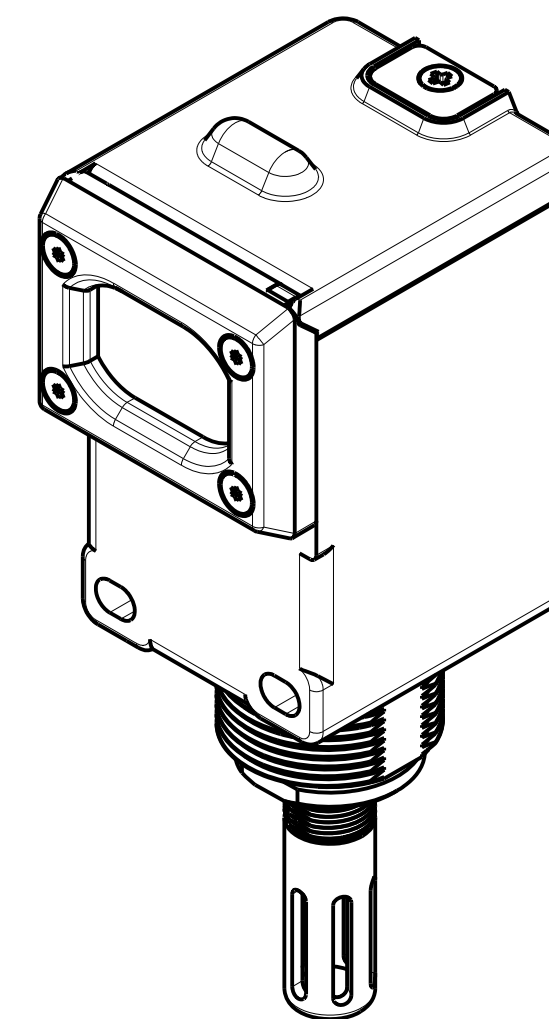
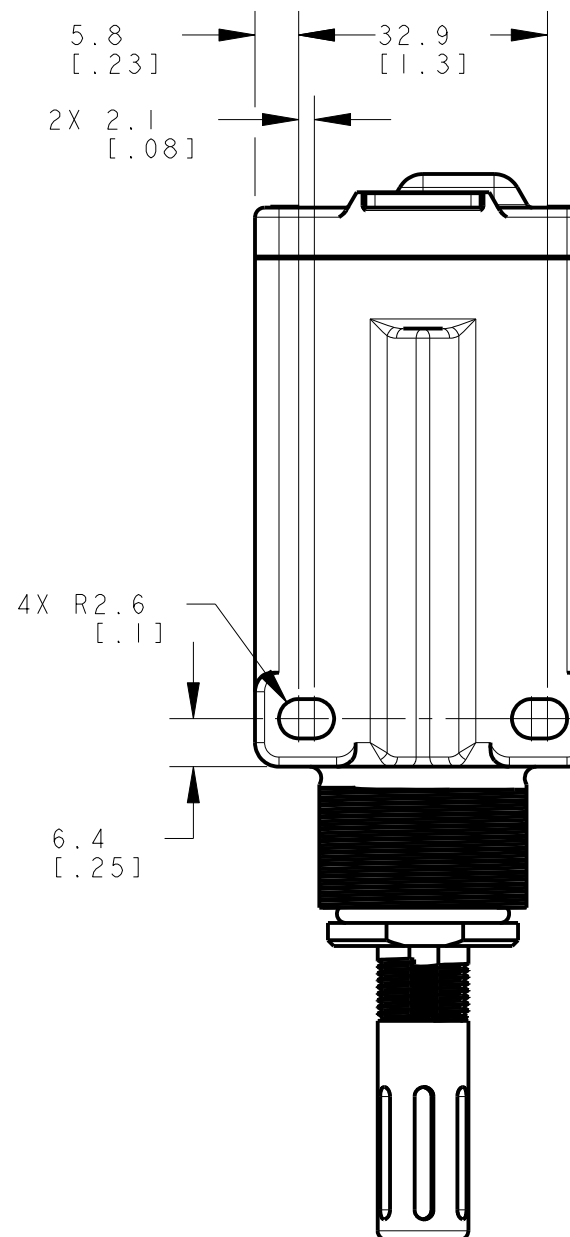
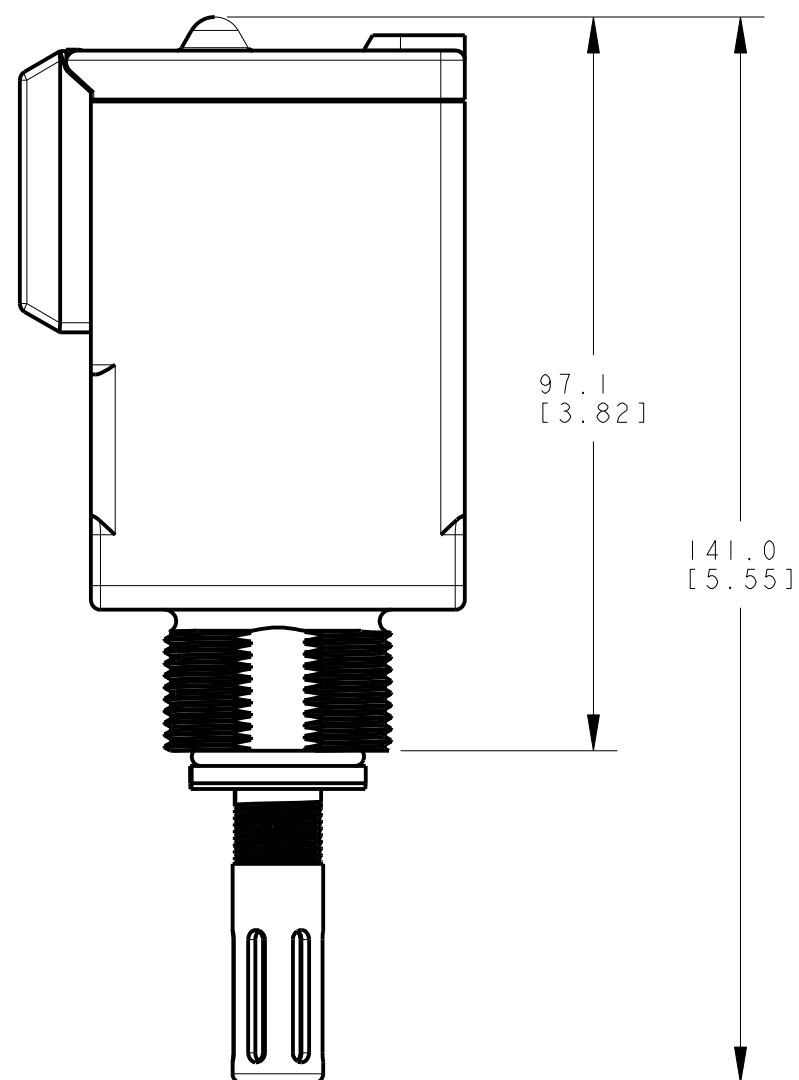
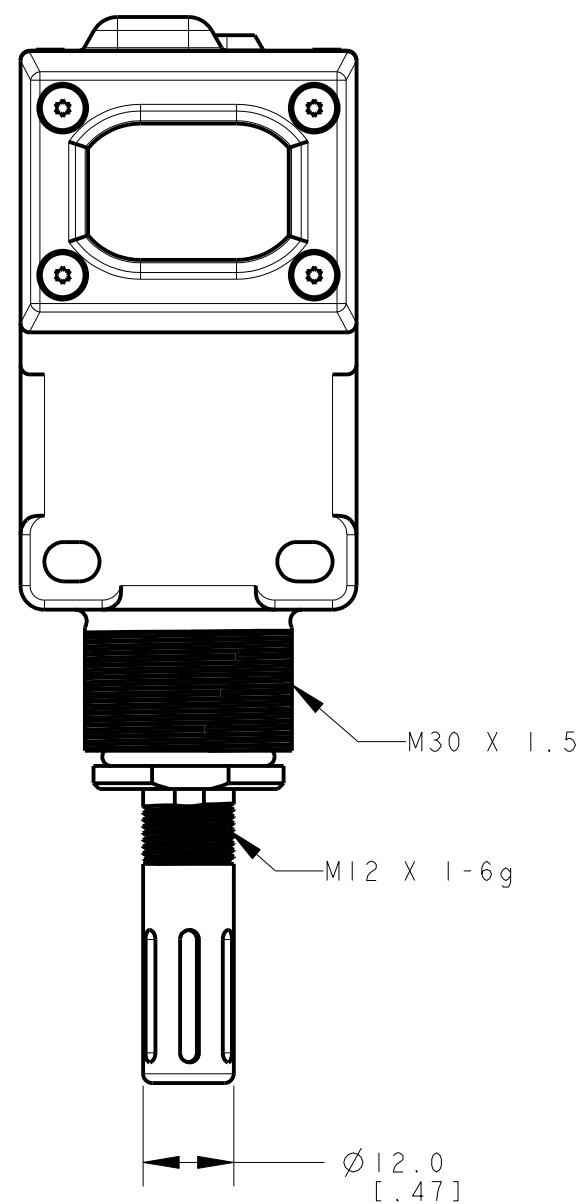
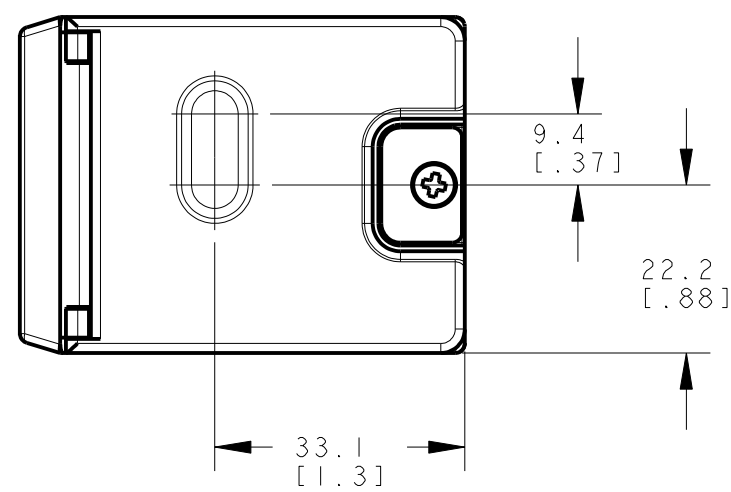
4

3

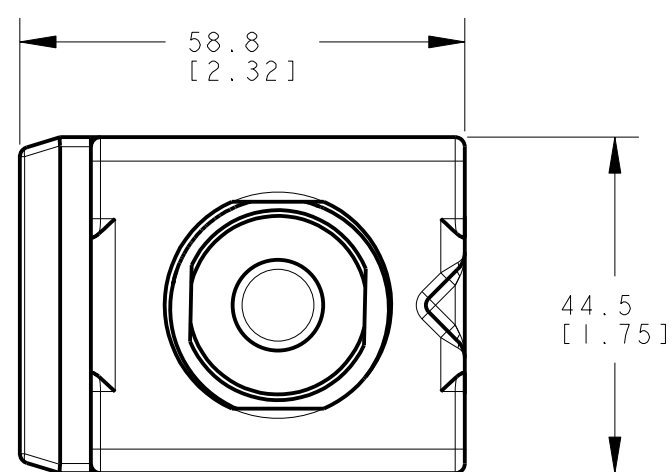
2

1

Q45THA



ISOMETRIC VIEW



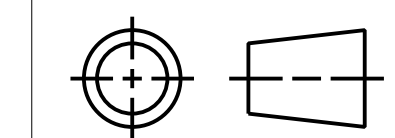
NOTES:
 1. ALL DIMENSIONS ARE MILLIMETERS [INCHES] UNLESS OTHERWISE NOTED.
 2. REFER TO "www.bannerengineering.com" FOR ADDITIONAL DATA AND SPECIFICATIONS.

This drawing is the property of BANNER ENGINEERING CORP. Any use or reproduction, in any form, without prior written permission of Banner is prohibited. © 2015 Banner Engineering Corp.

BANNER BANNER ENGINEERING CORP. www.bannerengineering.com

THIRD ANGLE PROJECTION

TITLE **STARTERKIT700 CM**



SIZE C	DRAWING NO. 218786	REV. A
SCALE 1:1	SHEET 5 OF 5	

CREO