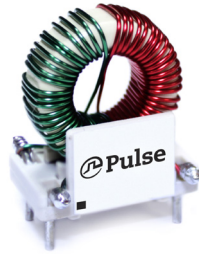


# THT Common Mode Chokes

PA3747.XXXNL



**Dielectric Strength:** 1500Vrms  
**Inductance Range:** 0.67mH (at 5A) to 19.5mH (at 0.75A)  
**Height:** 22.9mm Max  
**Footprint:** 19.3mm x 18.2mm

### Electrical Specifications @ 25°C - Operating Temperature -40°C to +125°C

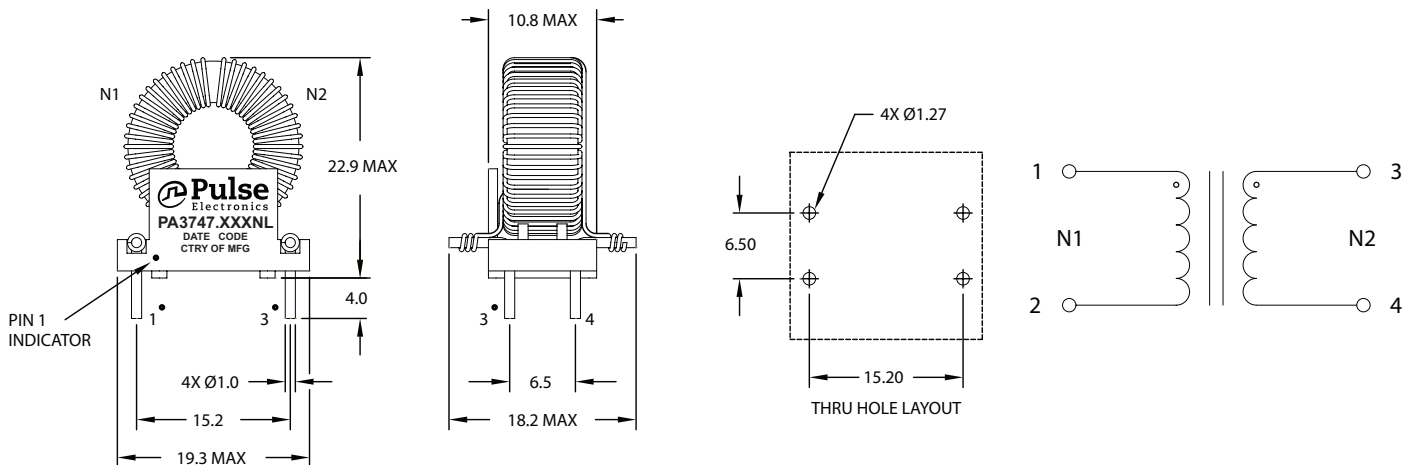
Part Number	Inductance (1-2)=(3-4) (mH Min)	Current Rating <sup>1</sup> (1-2)=(3-4) (A)	DCR (1-2)=(3-4) (mΩ Max)	Self Resonant Frequency (1-2)=(3-4) (MHz Min)	Impedance (kΩms Min at SRF)
PA3747.105NL	0.67	5.00	16	1.18	3.33
PA3747.205NL	1.28	4.00	25.5	1.10	5.04
PA3747.305NL	1.92	2.75	49.5	1.00	5.08
PA3747.405NL	2.68	2.25	71.5	0.94	11.57
PA3747.505NL	3.33	1.85	103.5	0.88	14.40
PA3747.605NL	4.06	1.55	132	0.78	17.93
PA3747.705NL	4.58	1.50	134	0.80	18.24
PA3747.905NL	6.03	1.45	154	0.30	24.38
PA3747.106NL	6.67	1.40	169	0.29	26.90
PA3747.146NL	9.10	1.00	207	0.21	42.69
PA3747.206NL	13.00	1.00	295	0.20	51.22
PA3747.306NL	19.50	0.75	572	0.12	80.65

- Notes:**
1. The current rating (Irated) is based upon the temperature rise of the component and represents the rms current which will cause a typical temperature rise of 40 °C.
  2. The temperature of the component (ambient plus temperature rise) must be within the stated operating temperature range.

## Mechanical

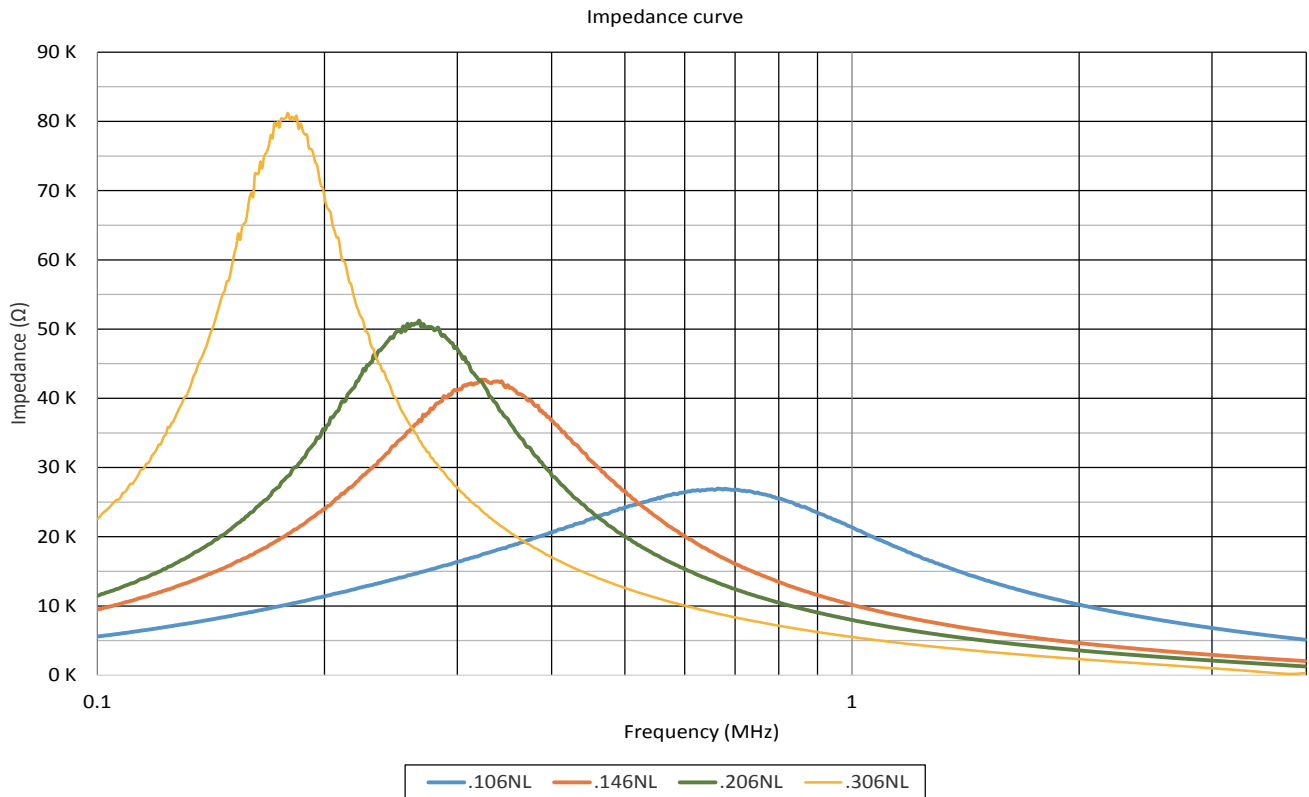
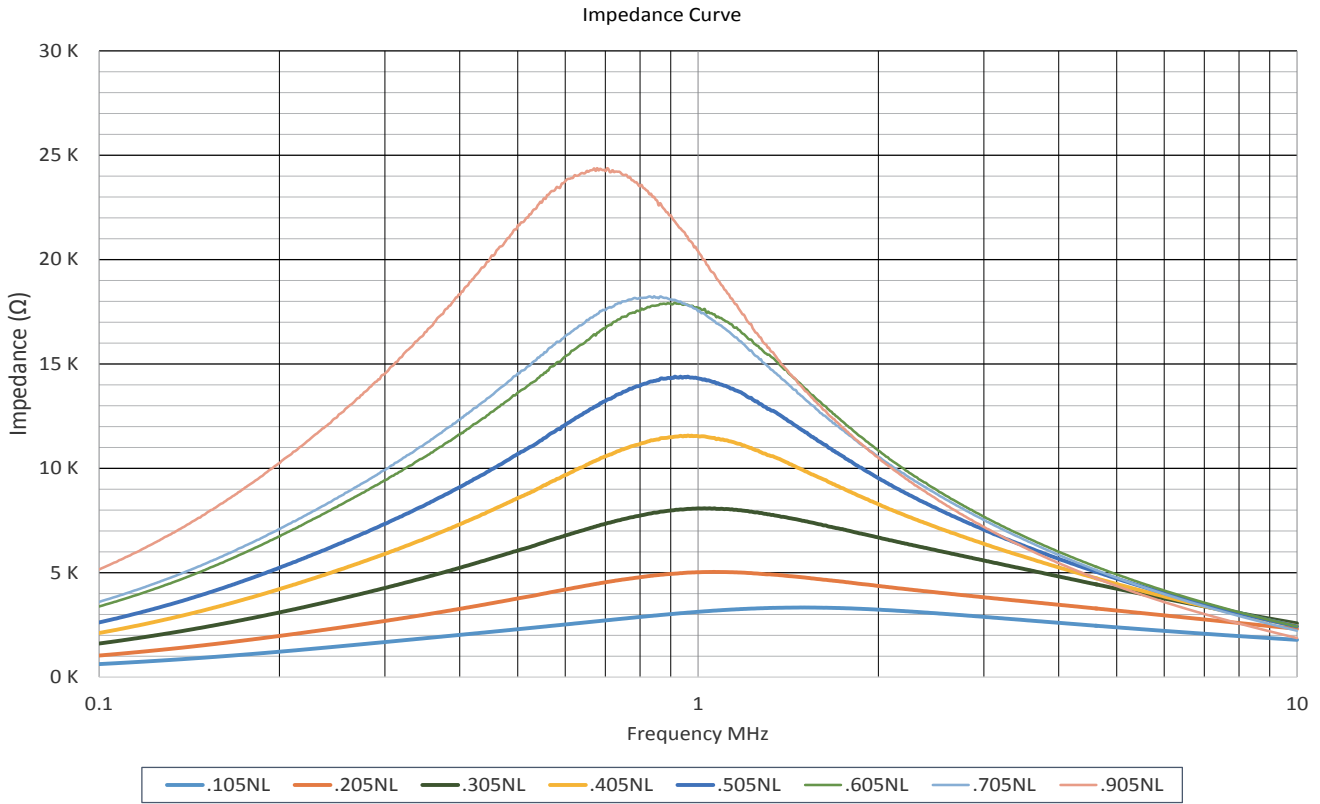
## Schematic

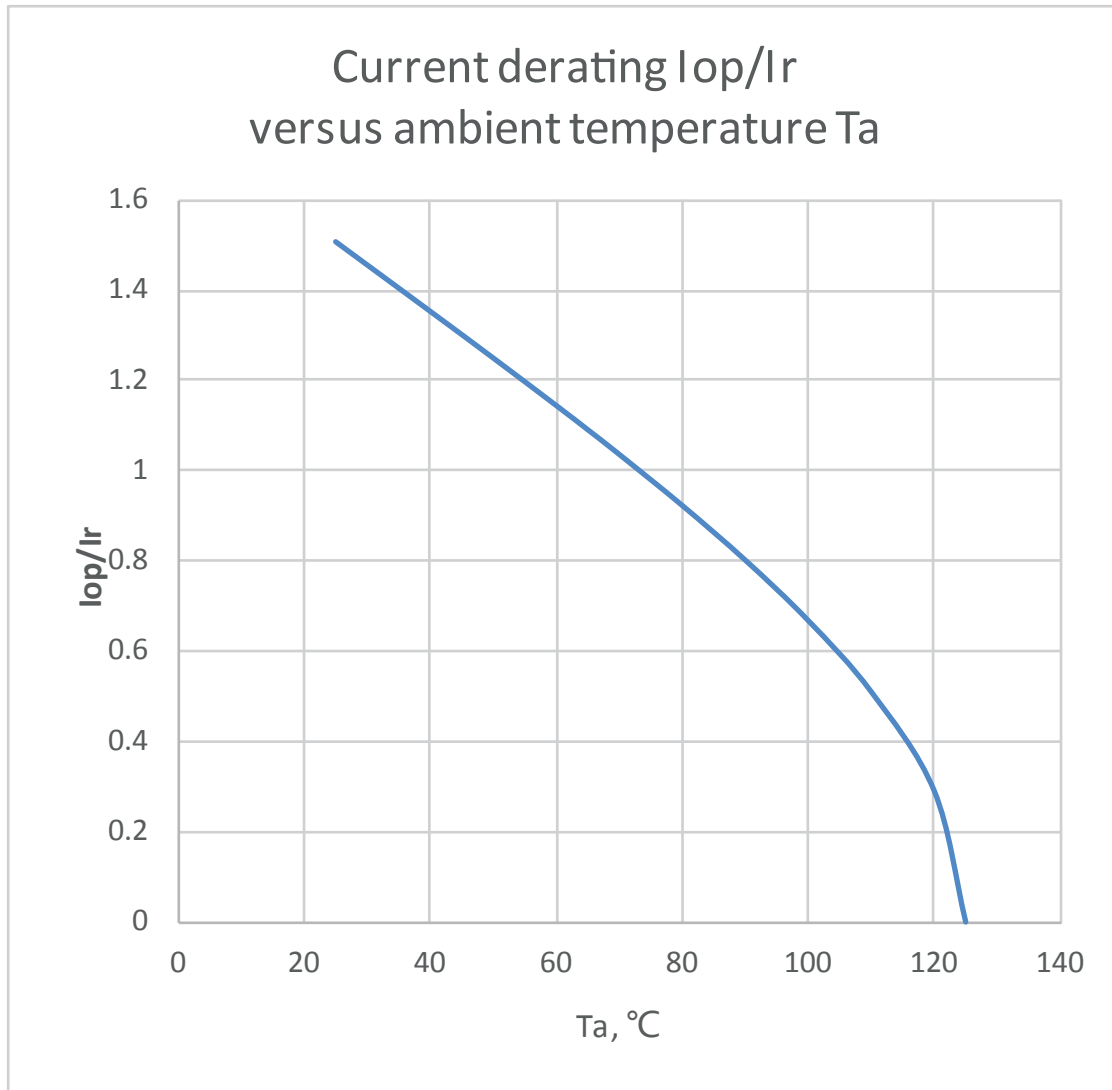
### PA3747.XXXNL



# THT Common Mode Chokes

PA3747.XXXNL





## For More Information

### Pulse Worldwide Headquarters

15255 Innovation Drive Ste 100  
San Diego, CA 92128  
U.S.A.

### Pulse Europe

Pulse Electronics GmbH  
Am Rottland 12  
58540 Meinerzhagen  
Germany

### Pulse China Headquarters

Pulse Electronics (Shenzhen) CO., LTD  
D708, Shenzhen Academy of  
Aerospace Technology,  
The 10th Keji South Road,  
Nanshan District, Shenzhen,  
P.R. China 518057

### Pulse North China

Room 2704/2705  
Super Ocean Finance Ctr.  
2067 Yan An Road West  
Shanghai 200336  
China

### Pulse South Asia

3 Fraser Street  
0428 DUO Tower  
Singapore 189352

### Pulse North Asia

1F., No.111 Xiyuan Rd  
Zhongli City  
Taoyuan City 32057  
Taiwan (R.O.C)

Tel: 858 674 8100  
Fax: 858 674 8262

Tel: 49 2354 777 100  
Fax: 49 2354 777 168

Tel: 86 755 33966678  
Fax: 86 755 33966700

Tel: 86 21 62787060  
Fax: 86 2162786973

Tel: 65 6287 8998  
Fax: 65 6280 0080

Tel: 886 3 4356768  
Fax: 886 3 4356820

Performance warranty of products offered on this data sheet is limited to the parameters specified. Data is subject to change without notice. Other brand and product names mentioned herein may be trademarks or registered trademarks of their respective owners. © Copyright, 2020. Pulse Electronics, Inc. All rights reserved.