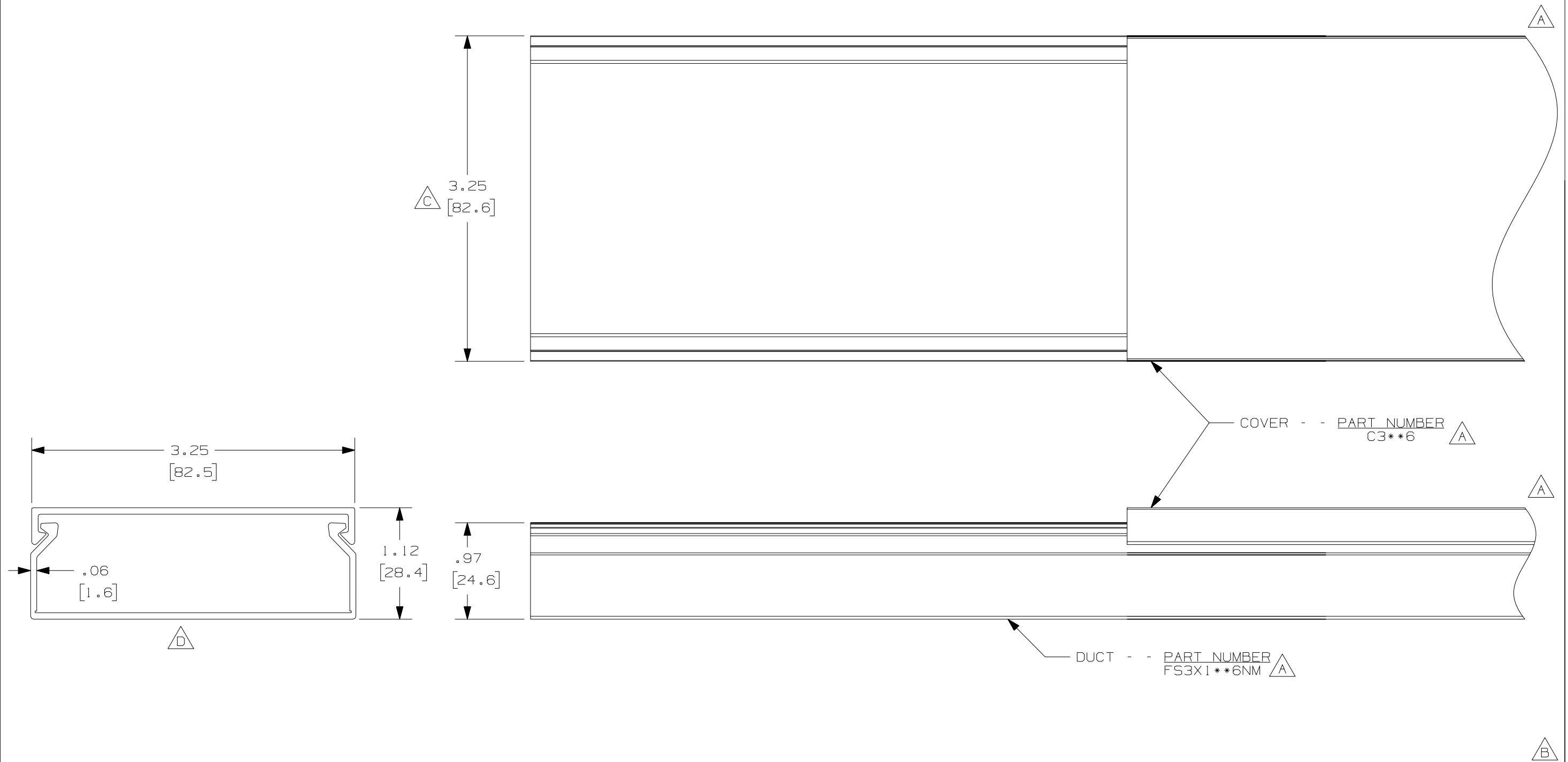


THIS COPY IS PROVIDED ON A RESTRICTED BASIS AND IS NOT TO BE USED IN ANY WAY DETRIMENTAL TO THE INTERESTS OF PANDUIT CORP.



**A** **E**

NOTE.

1. ALL DIMENSIONS ARE REFERENCE ONLY.
2. DIMENSIONS IN PARENTHESES ARE METRIC.
3. THE \*\* DENOTE COLOR.
4. DUCT AND COVER ARE AVAILABLE IN 6 FT [1828.8] LENGTHS.

REV	DATE	BY	CHK	DESCRIPTION
--	-----	---	---	E. ADDED LENGTH NOTE
2	8-6-07	JCST	MKBE	D. DELETED DIMENSION C. ADDED DIMENSION
1	10-20-05	JCST	MKBE	B. CHANGED DRAWING SIZE A. ADDED SIDE & TOP VIEWS, LABELS, AND NOTE
R	10-2-03	JHNU	JGG	DRAWING RELEASED

CAD FILENAME/LAYERS		D11000FK_DC_02B	
<b>PANDUIT</b> CORP., TINLEY PARK, ILLINOIS			
WIRING DUCT - TYPE FS WITH COVER 3 X 1 MARKETING DRAWING			
DRAWN BY JHNU	MAT'L: PVC	SCALE FULL	DWG B
DATE 10-2-03	CHECKED BY JGG	DRAWING NO. 36897-901	SIZE B