



- 1NO/1NC Contacts
- Quick Make, Quick Break, Single Pole, Double Throw (SPDT)
- Rocker-Type SNAP-LOCK® Technology
- Mechanical Travel of 10° to trip
- Compact Size
- Two Mounting Styles Available (Standard, Wide)
- Die-cast Zinc Housing for Corrosion Resistance
- Heavy Duty Butt Contacts
- Heavy Operating Torque for Severe Industrial Use
- For hazardous location requirements, see EA880 Series

Technical Data

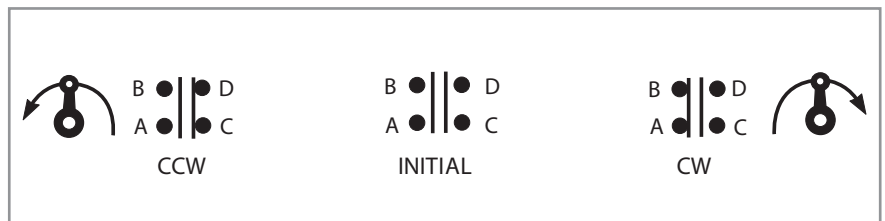
- Meets NEMA 1, 4 & 13 requirements. Enclosure is watertight, oil & dust tight
- Contacts made of silver alloy
- Temperature Range: -20°C to + 90°C
- Operating lever is adjustable by 7°30' increments thru 167°
- Wiring space is ample for up to size 12 wire with easily accessible terminal screws
- Form "Z" contact arrangement
- Options available
 - Precious metal contacts
 - High Temperature (0°C to + 150°C) components and lubricants
 - Low Temperature (-40°C to + 90°C) components and lubricants
 - Reverse Shaft position
- Weight - Approx. 2.3 lbs.

Continuous Current Rating - Amperes

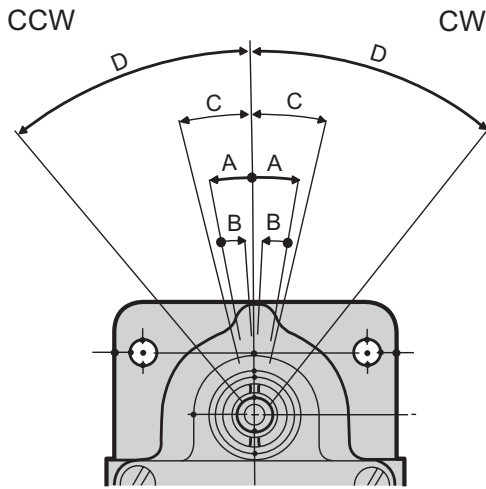
Volts	AC	DC
125	20	5
250	15	1.5
480	10	
600	5	

75-100% Power Factor

Contact Configuration



Operational Data



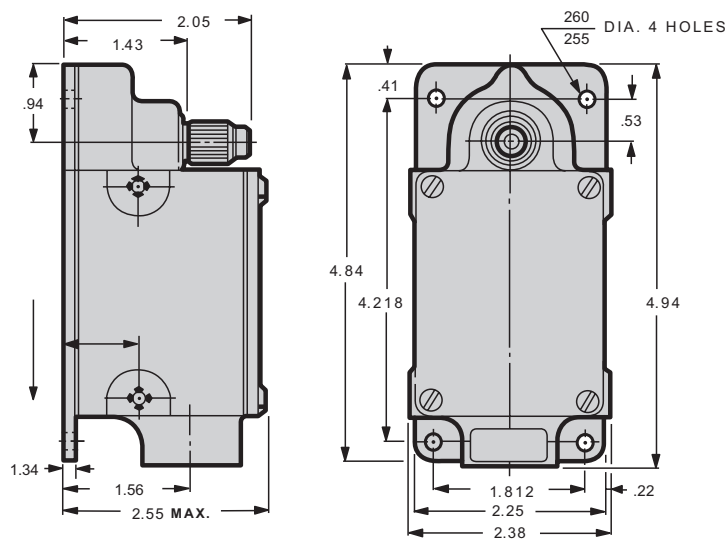
Standard Travel - EA080 Series

A. Pre-Trip Travel.....	10°
B. Differential Travel.....	8°
C. Recommended Travel.....	13°
D. Total Travel.....	38°

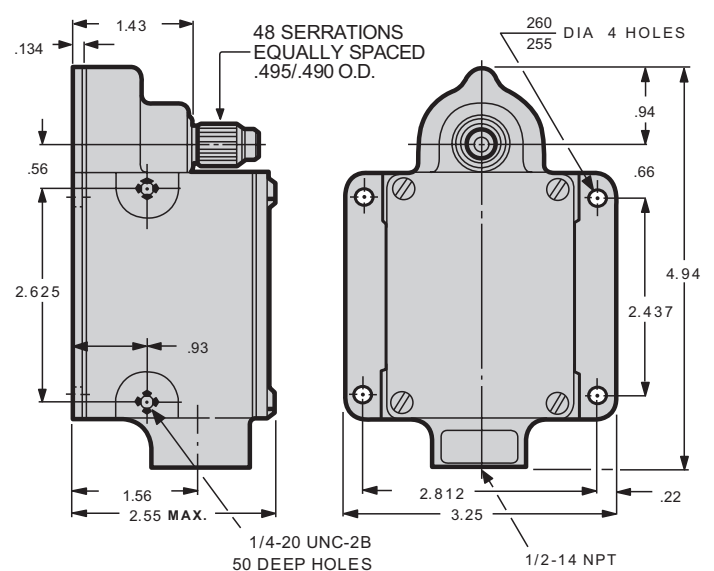
Max Torque During Pre-Travel 14 lb-in.
 Max torque at Total Travel 38 lb-in.

Dimensions & Mounting

Standard Mounting



Wide Mounting



All dimensions given in Inches

Ordering Information

EA080 -

