

ECN/PCN No.:

| For Manufacturer | | | |
|--|---|--|--|
| Product Description: Surface Mount WLAN Antenna | Abracon Part Number / Part Series: AMCA52-2R350G-S1F | <input checked="" type="checkbox"/> Series | <input type="checkbox"/> Part Number |
| Affected Revision: Rev A | New Revision: | Application: | <input type="checkbox"/> Safety <input type="checkbox"/> Non-Safety |
| Prior to Change: | | | |
| After Change: | | | |
| Cause/Reason for Change: FACTORY EOL | | | |
| Change Plan | | | |
| Effective Date: Immediately | Additional Remarks: | | |
| Change Declaration: | | | |
| Issued Date: 7/7/20 | Issued By: <i>Justin Fahey</i> | Issued Department: Marketing - PLM | |
| Approval: <i>Syed Raza</i> Engineering VP | Approval: <i>Reuben Quintanilla</i> Quality Director | Approval: <i>Ying Huang</i> Purchasing Director | |
| For Abracon EOL only | | | |
| Last Time Buy (if applicable): N/A | | Alternate Part Number / Part Series: N/A | |
| Additional Approval: | Additional Approval: | Additional Approval: | |
| Customer Approval (If Applicable) | | | |
| Qualification Status: <input type="checkbox"/> Approved <input type="checkbox"/> Not accepted <i>Note: It is considered approved if there is no feedback from the customer 1 month after ECN/PCN is released.</i> | | | |
| Customer Part Number: | | Customer Project: | |
| Company Name: | Company Representative: | Representative Signature: | |
| Customer Remarks: | | | |

Surface Mount WCS/WiMAX/LTE Antenna (2350MHz)

AMCA52-2R350G-S1F-T



RoHS / RoHS II Compliant



5.2 x 2.1 x 1.1mm

Moisture Sensitivity Level (MSL) – MSL = 1

FEATURES:

- 2350MHz, Bandwidth ≥ 150 MHz
- Suitable for RoHS compliant reflow
- Gain 2.5dBi (Peak) / 0.5dBi (Average)
- VSWR $< 2:1$
- Small size – 5.2 x 2.1 x 1.1mm (0.204 x 0.082 x 0.039inch)
- Non Ground Mounting type.
- Power Handling 3W Max
- Matched to 50 Ohm.

APPLICATIONS:

- Wireless application - WCS Band, LTE Band 40, and WiMax bands.
- User Equipments (UE), e.g. dongles, modems
- WCS Band supporting Fixed, Mobile, Computing, Cellular Telephone, Radiolocation, and Satellite Communications.
- User Equipments (EU) covering 2300MHz LTE TDD (Band 40)
- Alternative to larger PCB solution

STANDARD SPECIFICATIONS

Maximum Ratings

| Item | Value |
|-----------------------------|----------------------------------|
| Operating Temperature Range | -40°C to + 85°C |
| Storage Temperature Range | -10°C ~ +40 and RH °C 70% (Max.) |

Electrical Characteristics

| Item | Spec |
|------------------|----------------|
| Frequency | 2350MHz |
| Bandwidth | ≥ 150 MHz |
| Peak Gain | 2.5 dBi typ. |
| Average Gain | 0.5 dBi typ |
| VSWR | $< 2:1$ |
| Impedance | 50 Ohm |
| Power Capability | 3W max |

PART IDENTIFICATION:

AMCA52-2R350G-S1F-T4

Packaging

Blank: Bulk or Cut Tape
T4 : T/R 4000pcs per reel

Surface Mount WLAN Antenna (2350MHz)

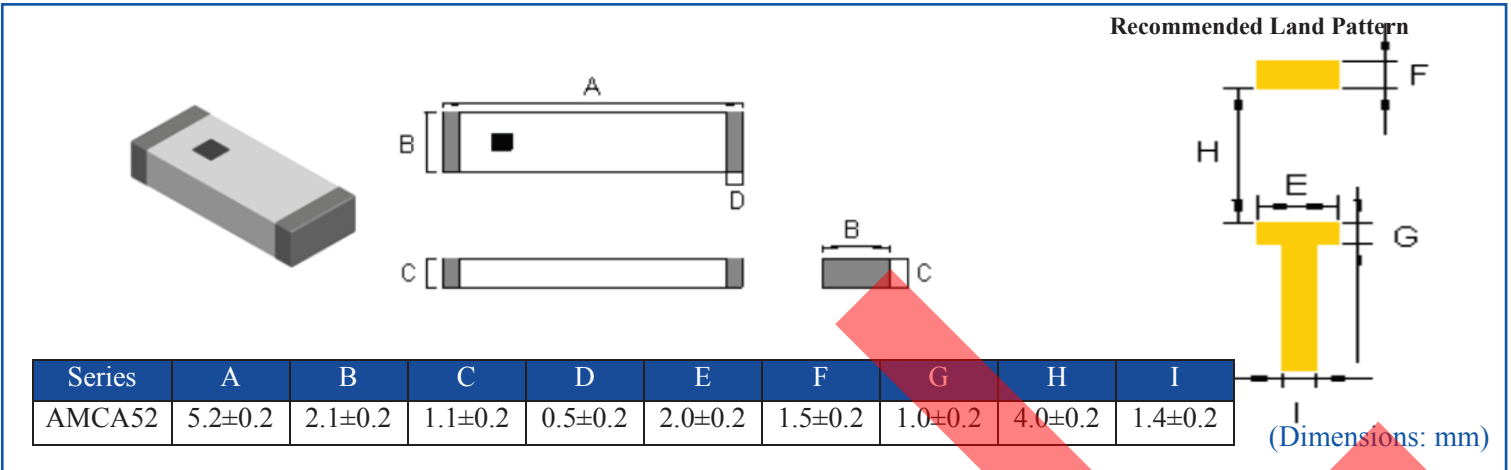
AMCA52-2R350G-S1F-T

 RoHS / RoHS II Compliant

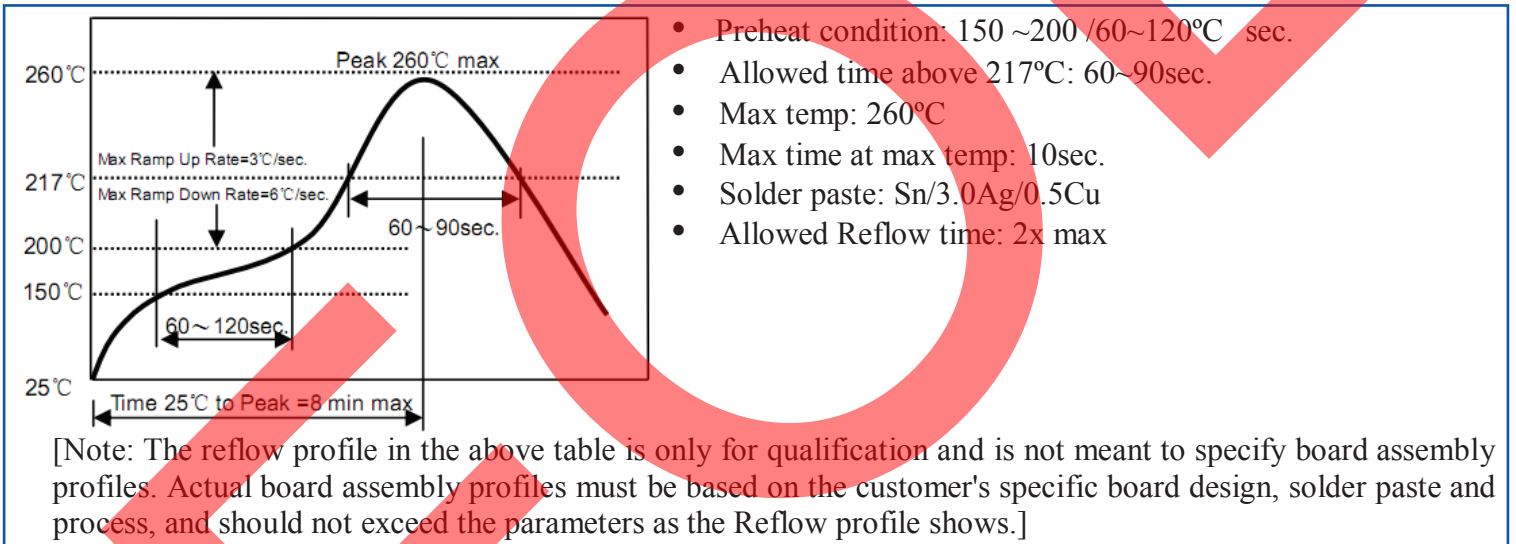


5.2 x 2.1 x 1.1mm

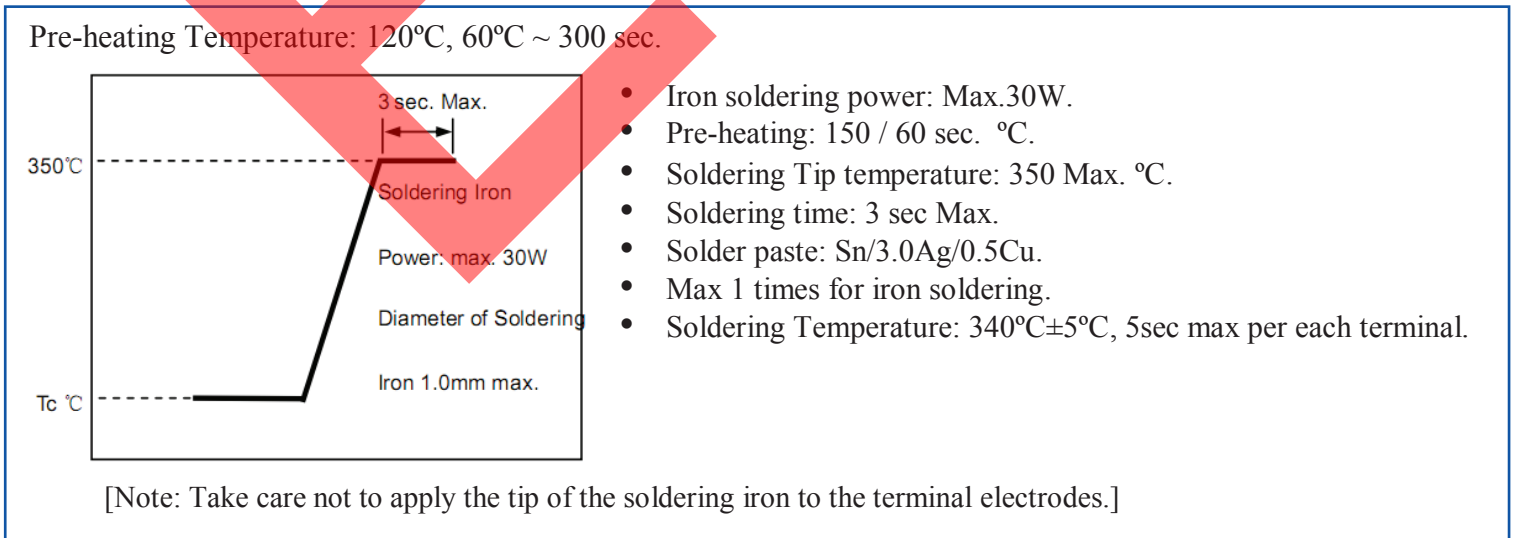
OUTLINE DIMENSIONS:



REFLOW PROFILE:



MANUAL SOLDERING



Surface Mount WLAN Antenna (2350MHz)

AMCA52-2R350G-S1F-T

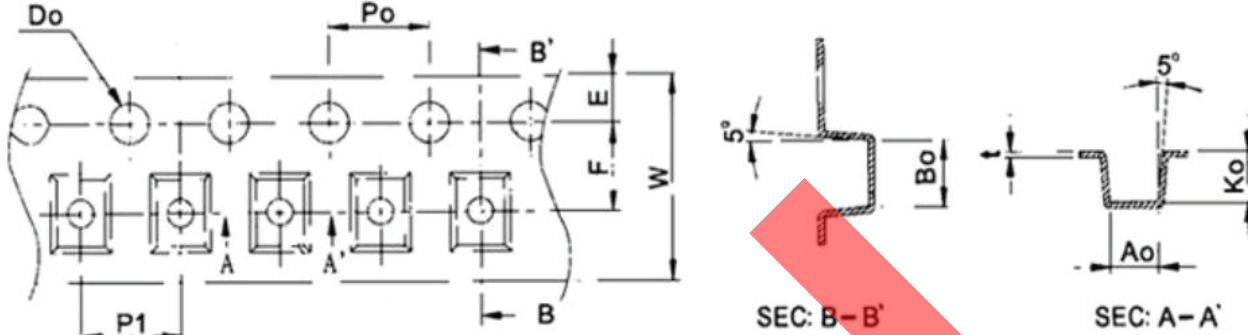
 RoHS / RoHS II Compliant



5.2 x 2.1 x 1.1mm

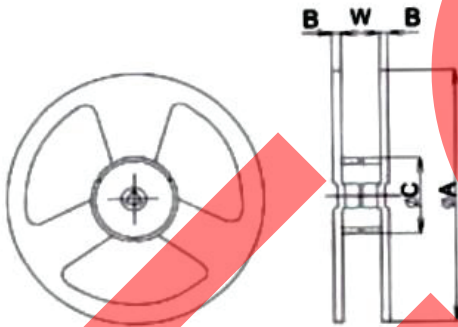
TAPE & REEL:

Packaging: 4000 Units per reel



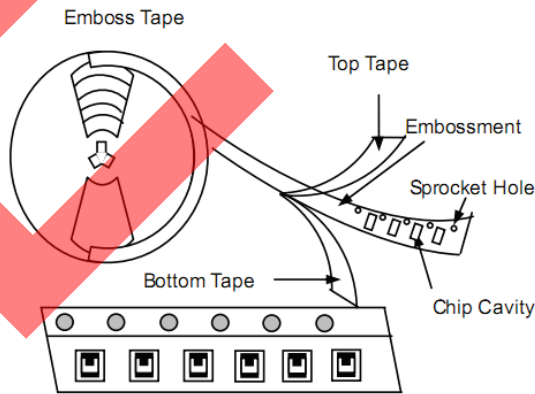
| | | | |
|----|-----------|----|--------------------|
| W | 12.0±0.10 | D0 | 1.50 +0.10 / - 0.0 |
| P1 | 8.0±0.10 | P0 | 4.0±0.10 |
| E | 1.75±0.10 | K0 | 1.20±0.10 |
| F | 5.50±0.15 | A0 | 2.35±0.10 |
| B0 | 5.50±0.10 | t | 0.3±0.05 |

Reel Dimensions



| Type | Spec | Dimensions (mm) | | | |
|--------|----------|-----------------|----------|---------|---------|
| | | A | W | C | B |
| AMCA52 | 13"*12mm | 330±1 | 12.5±0.2 | 100±0.5 | 2.3±0.2 |

Mounting Direction of Tape on Reel



Note: The sprocket holes are to the right as the tape is pulled toward the user.

(Dimensions: mm)

ATTENTION: Abracon Corporation's products are COTS – Commercial-Off-The-Shelf products; suitable for Commercial, Industrial and, where designated, Automotive Applications. Abracon's products are not specifically designed for Military, Aviation, Aerospace, Life-dependant Medical applications or any application requiring high reliability where component failure could result in loss of life and/or property. For applications requiring high reliability and/or presenting an extreme operating environment, written consent and authorization from Abracon Corporation is required. Please contact Abracon Corporation for more information.