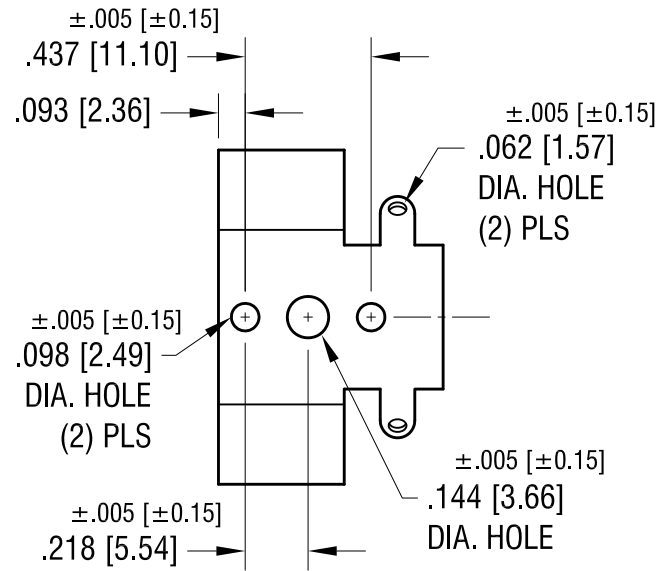
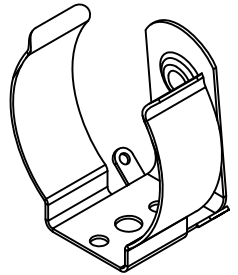
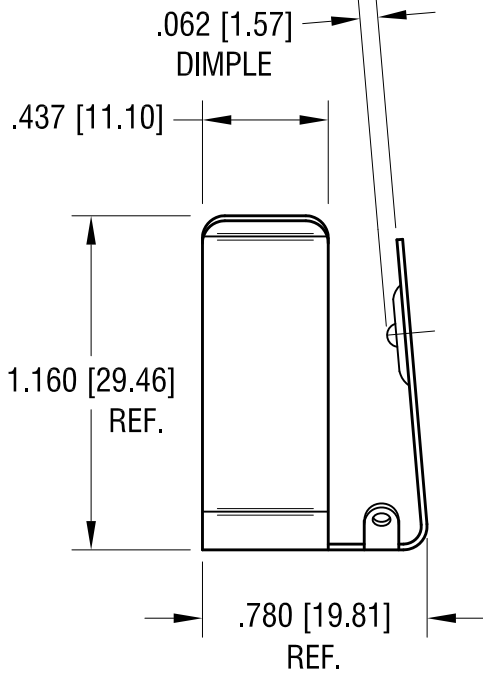
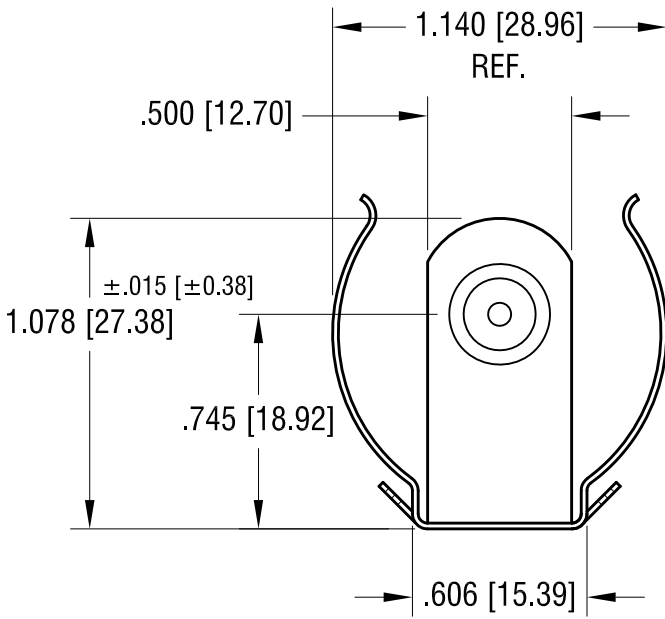


THIS DOCUMENT IS THE PROPERTY OF KEYSTONE ELECTRONICS CORP. AND SHALL NOT BE REPRODUCED, DISTRIBUTED OR USED AS A BASIS FOR MANUFACTURE WITHOUT PRIOR WRITTEN PERMISSION FROM KEYSTONE ELECTRONICS CORP.

**ACTUAL SIZE**



NOTE:

1. HEAT TREAT TO SPRING TEMPER.

3.14.23	CHANGE AS PER ECN23-036	E
10.06.16	CHANGE AS PER ECR 16-062	D
12.29.98	CHANGE AS PER ECR 98-095	C
10.30.97	CHANGE AS PER ECR 97-054	B
DATE	DESCRIPTION	REV.

<b>KEYSTONE ELECTRONICS CORP.</b>			
www.keyelco.com • NEW HYDE PARK NY 11040 • Tel (516)328-7500			
PART NAME		'D' CELL END CLIP	
MATERIAL		.020 [0.50] TH'K ANNEALED SPRING STEEL	
FINISH		DRN BY	DATE
NICKEL PLATE		BOONE	10.05.81
		APP'D	SCALE
		RH	1.5X
TOLERANCES	INCH	[MM]	CODE
DECIMAL	± .010	[± 0.25]	C
ANGULAR	± 2°		DWG NO.
UNLESS OTHERWISE SPECIFIED			<b>89</b>