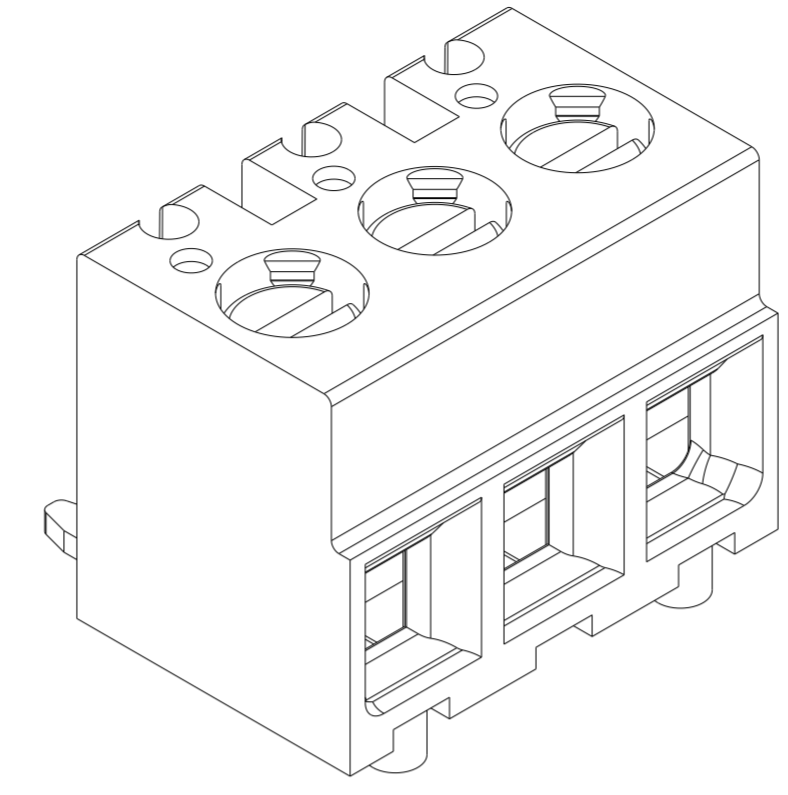
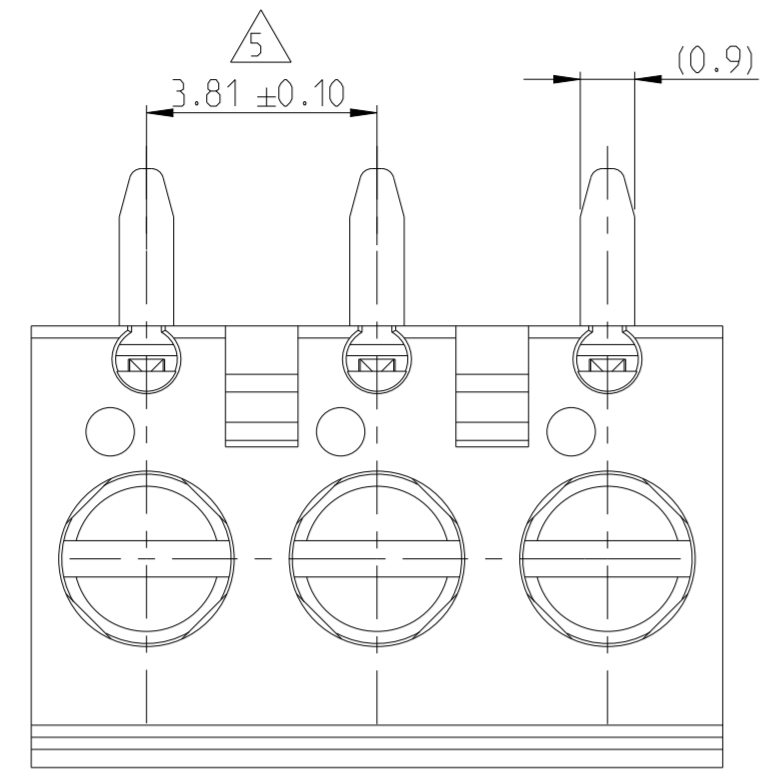


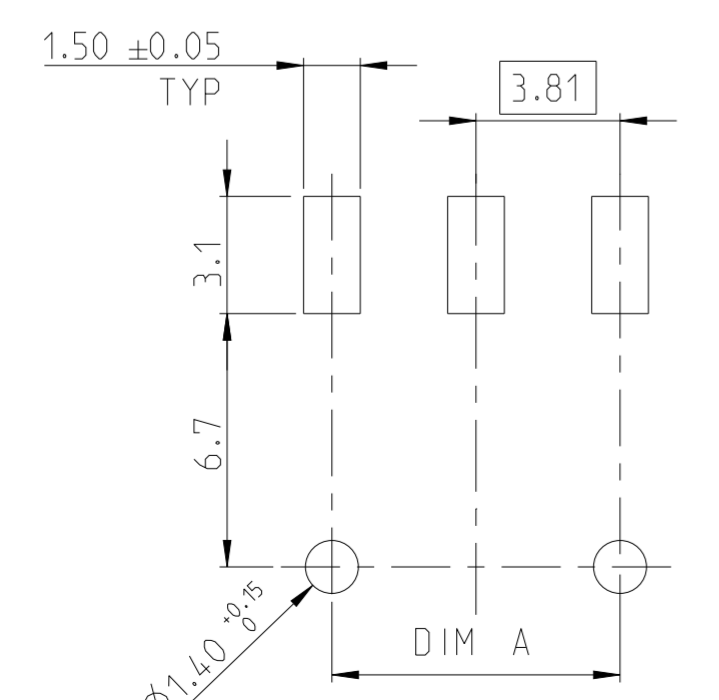
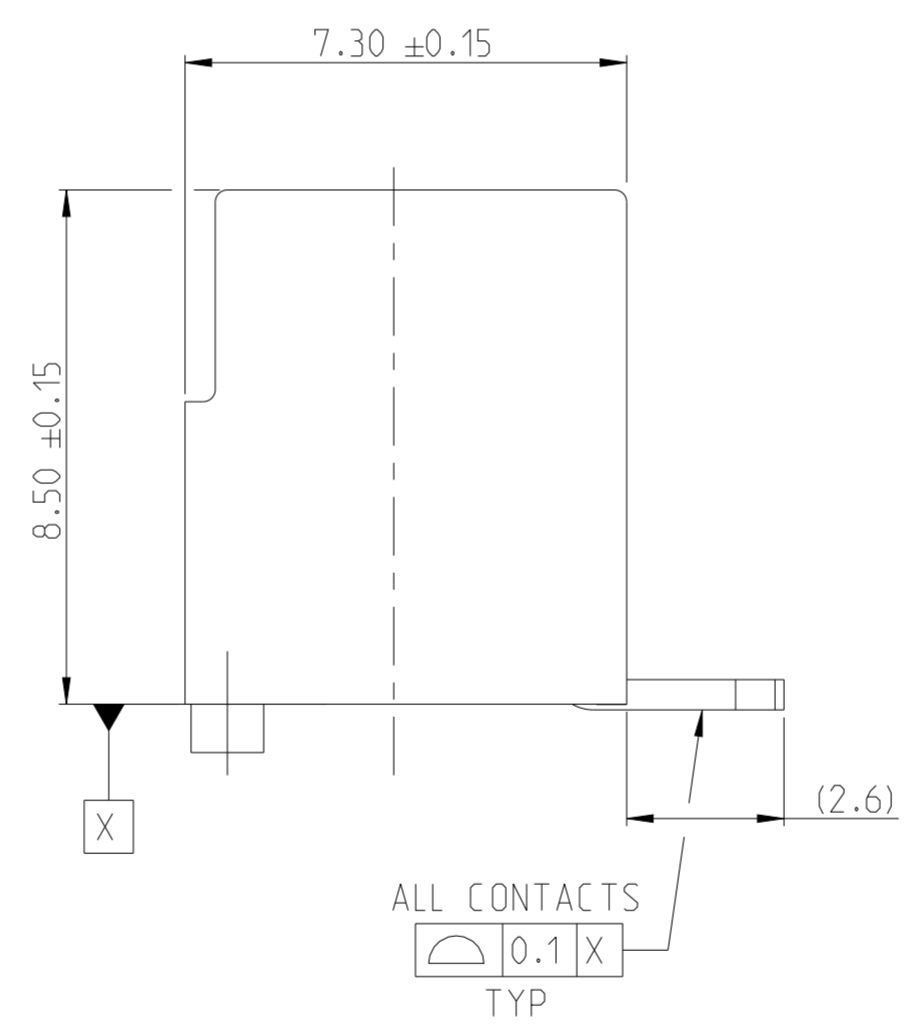
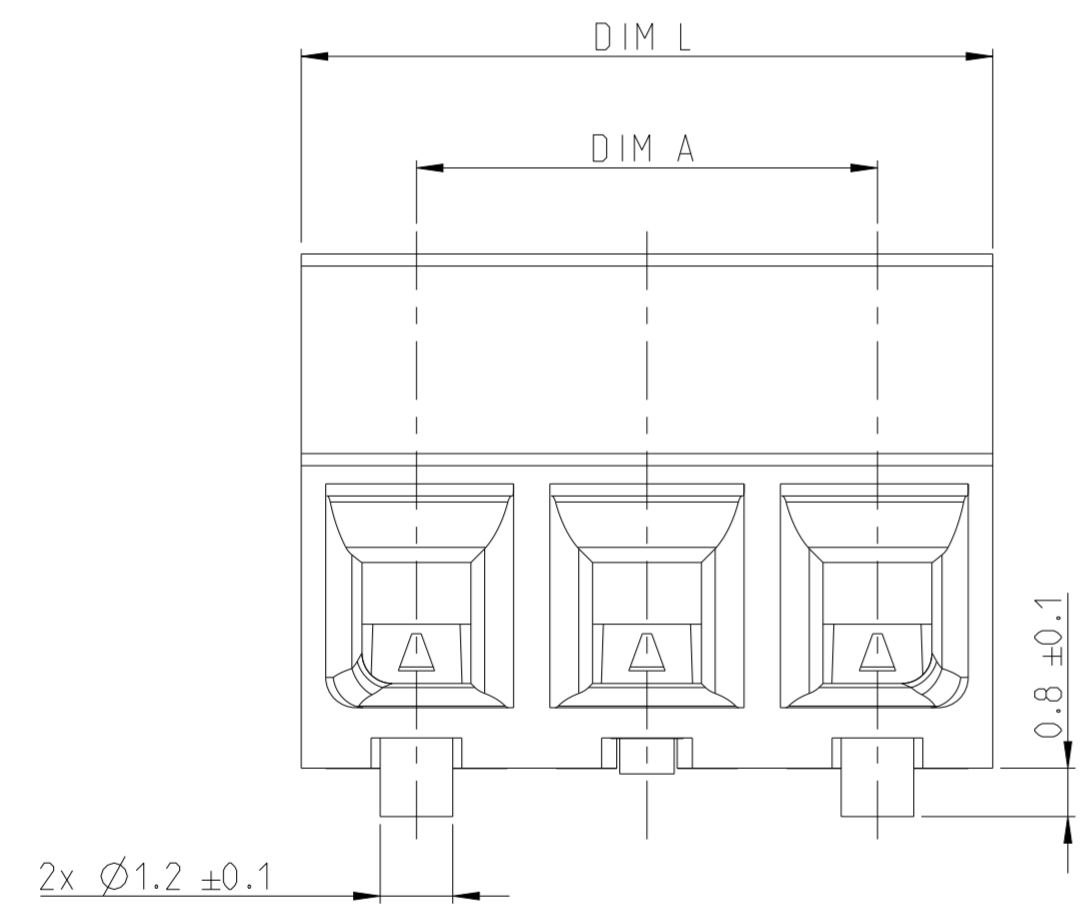
REVISIONS					
P	LTR	DESCRIPTION	DATE	DWN	APVD
1		PRELIMINARY	30DEC2020	DV	PS
A		PRODUCTION RELEASE	28APR2021	SS	PS
A1		NOTE 7 ADDED. NOTE 2 MODIFIED	23SEP2021	SS	PS



2383945-3 AS SHOWN

NOTES

- 1. MATERIALS & FINISH
 HOUSING : HIGH TEMPERATURE PA, UL94 V0,
 COLOR -BLACK
 SCREW M2 : COPPER ALLOY, NICKEL PLATED
 CLAMP : COPPER ALLOY, NICKEL PLATED
 CONTACT : COPPER ALLOY, NICKEL & TIN PLATED
- 2. MECHANICAL
 WIRE STRIPPING LENGTH : 5-6 mm
 RECOMMENDED/HIGHEST TIGHTENING TORQUE : 0.2/0.25 Nm.
- 3. ELECTRICAL
 WIRE RANGE : 16 - 28 AWG
 MAX. VOLTAGE : 300 V
 MAX CURRENT : 12 A
 CONTACT RESISTANCE : <15 m Ohm
 INSULATION RESISTANCE : >1000 M Ohm (500V DC)
- 4. OPERATING TEMPERATURE RANGE: -40 °C TO +105 °C
- 5. NOT CUMULATIVE TOLERANCE.
- 6. SCREW CLAMP WILL BE IN CLOSED CONDITION.
- 7. PACKAGING SPEC: 107-160084



RECOMMENDED PCB LAYOUT

DIM A	DIM L	POSITION	TE PN
41.91	45.72	12	1-2383945-2
38.10	41.91	11	1-2383945-1
34.29	38.10	10	1-2383945-0
30.48	34.29	9	2383945-9
26.67	30.48	8	2383945-8
22.86	26.67	7	2383945-7
19.05	22.86	6	2383945-6
15.24	19.05	5	2383945-5
11.43	15.24	4	2383945-4
7.62	11.43	3	2383945-3
3.81	7.62	2	2383945-2

THIS DRAWING IS A CONTROLLED DOCUMENT.

DIMENSIONS: mm	TOLERANCES UNLESS OTHERWISE SPECIFIED:	DWN 29-DEC-20 DATESH VERNEKAR	TE Connectivity
	0 PLC ± 1 PLC ±0.3 2 PLC ±0.25 3 PLC ± 4 PLC ± ANGLES ± FINISH ±	CHK 30-DEC-20 SUBHASREE SAHOO	
MATERIAL		APVD 30-DEC-20 PRASHANTH S	NAME TERMINAL BLOCK, SMD MOUNT 180 DEGREE, 3.81 mm PITCH 12A
		PRODUCT SPEC 108-160231	SIZE A2
		APPLICATION SPEC	CAGE CODE 00779
		WEIGHT	DRAWING NO C-2383945
		CUSTOMER DRAWING	RESTRICTED TO
		SCALE 5:1	SHEET 1 OF 1
			REV A1