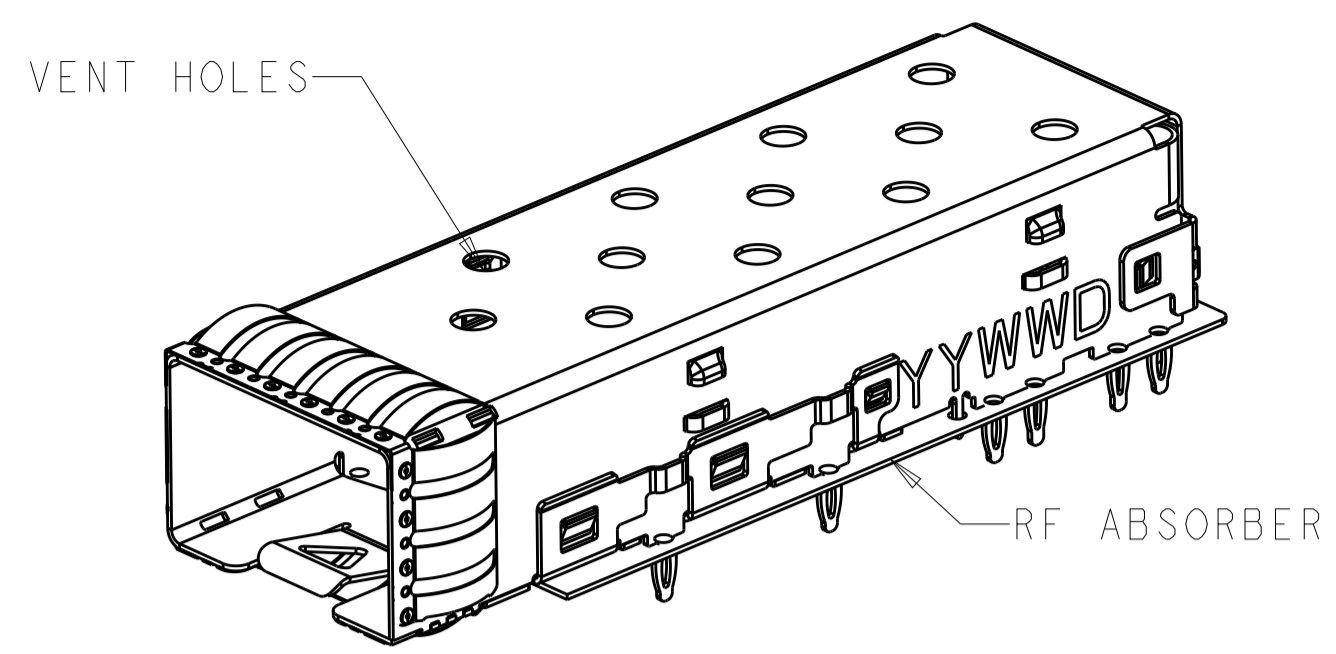
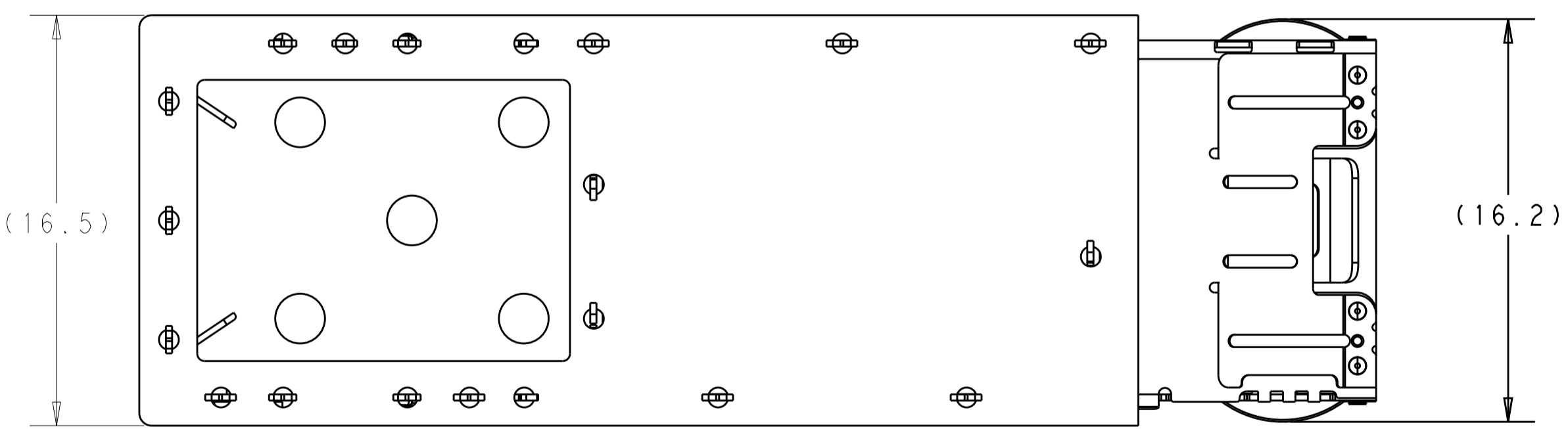
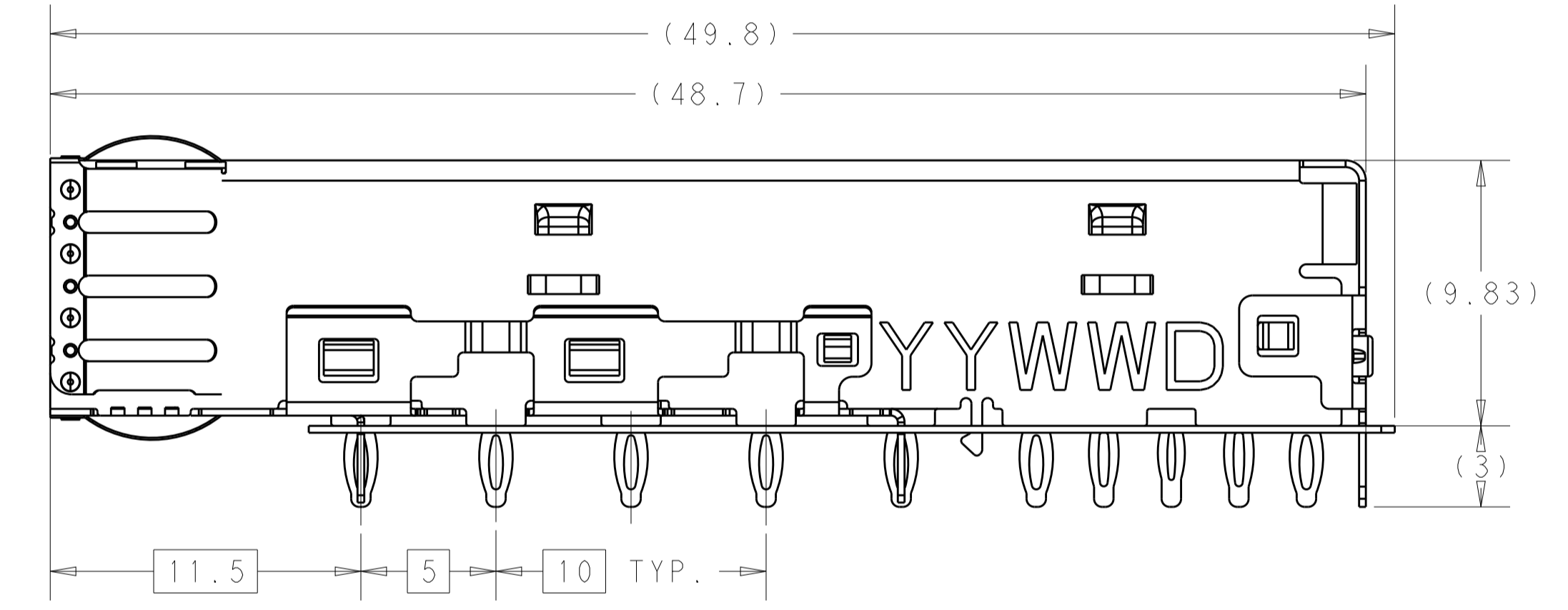
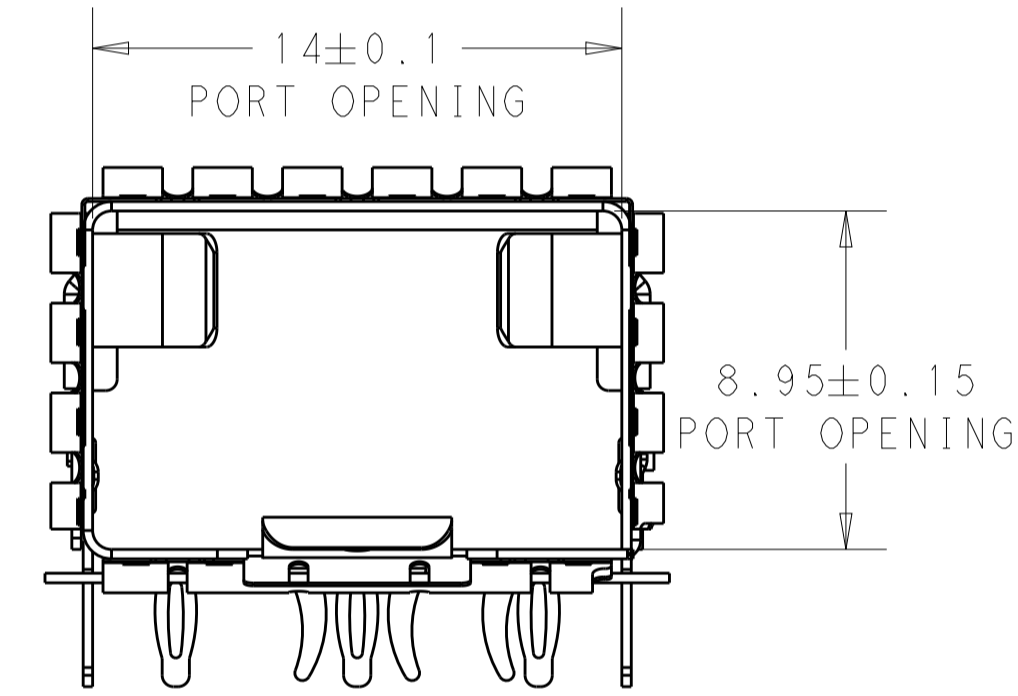
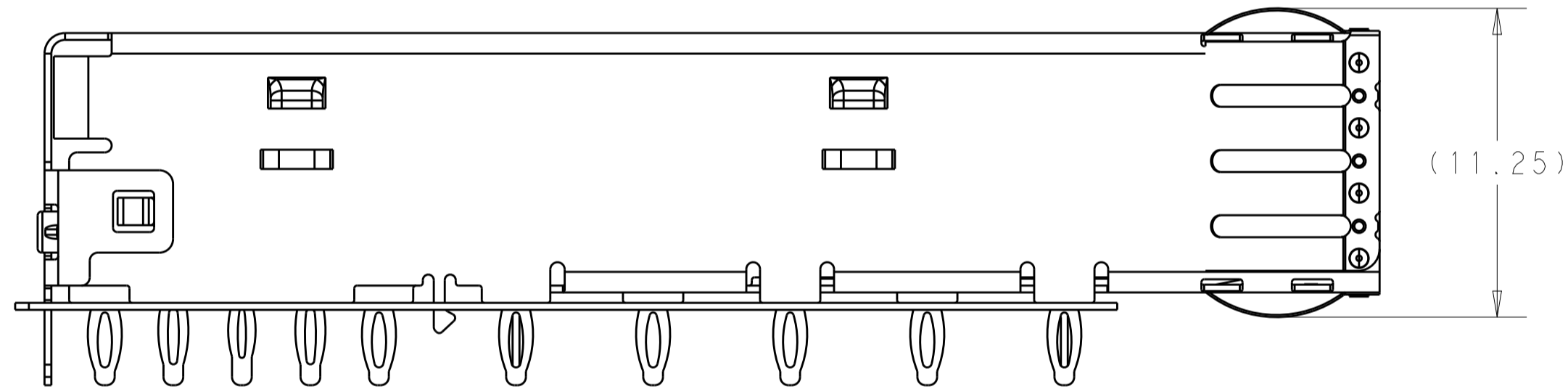
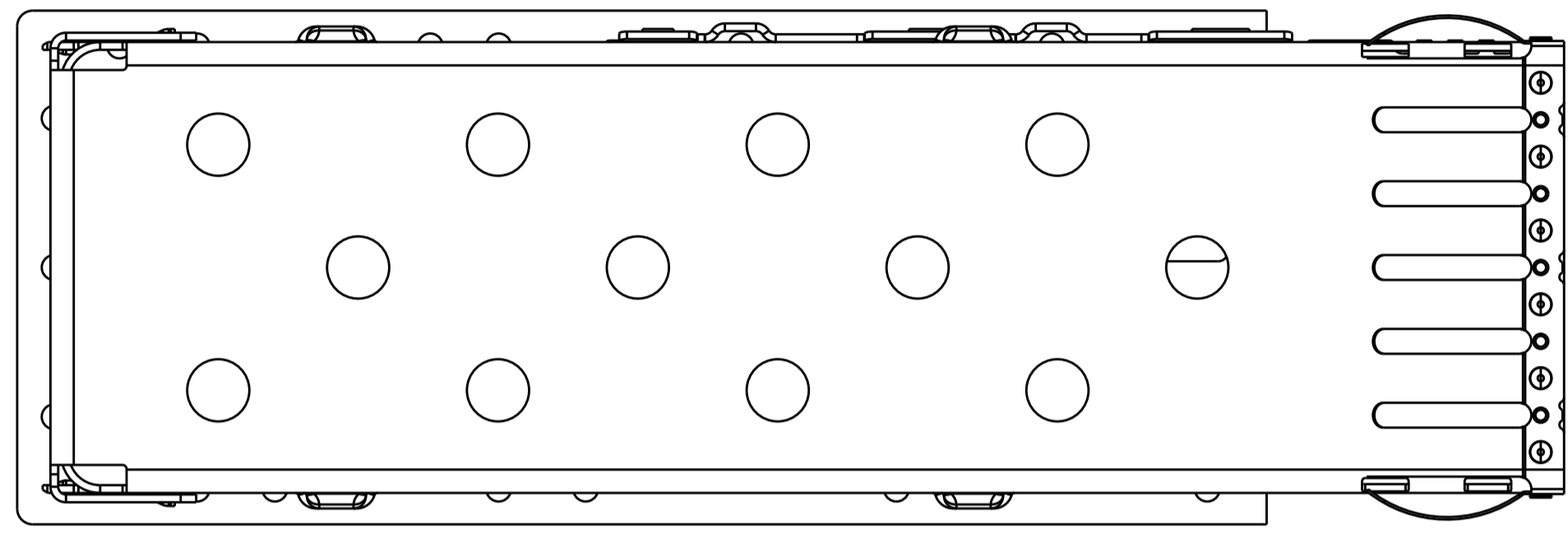


| LOC | DIST | REVISIONS | | | |
|-----|------|-----------|-----------|----|-----|
| GP | 00 | REV | DATE | BY | CHK |
| | | A | 28SEP2016 | LL | SH |
| | | A1 | 13MAR2018 | JW | SH |
| | | B | 22OCT2019 | ES | SH |



2274001-1
SCALE 3:1

- 1. MATERIAL:
CAGE ASSEMBLY - 0.25mm THICK NICKEL SILVER ALLOY.
EMI SPRINGS - COPPER ALLOY.
PCB GASKET - RF ABSORBER.
- 2. FINISH
EMI SPRINGS - 0.8um MIN NICKEL, NON-PLATED EDGES PERMISSIBLE.
- 3. MATES WITH SFP MSA COMPLIANT TRANSCEIVERS.
- 4. PADS AND VIAS CHASSIS GROUND.
- 5. DATUM AND BASIC DIMENSION ESTABLISHED BY CUSTOMER.
- 6. REFERENCE APPLICATION SPEC. 114-13120, HOLE A, FOR RECOMMENDED DRILL HOLE DIAMETER AND PLATING THICKNESS.
- 7. REFERENCE APPLICATION SPEC. 114-13120, HOLE B, FOR RECOMMENDED DRILL HOLE DIAMETER AND PLATING THICKNESS.
- 8. REFERENCE APPLICATION SPEC. 114-13120, HOLE C, FOR RECOMMENDED DRILL HOLE DIAMETER AND PLATING THICKNESS.
- 9. MINIMUM PC BOARD THICKNESS:
SINGLE SIDED = 1.50mm
- 10. CONTACT STANDOFF WILL PIERCE GASKET WHEN PROPERLY PRESSED INTO PCB.



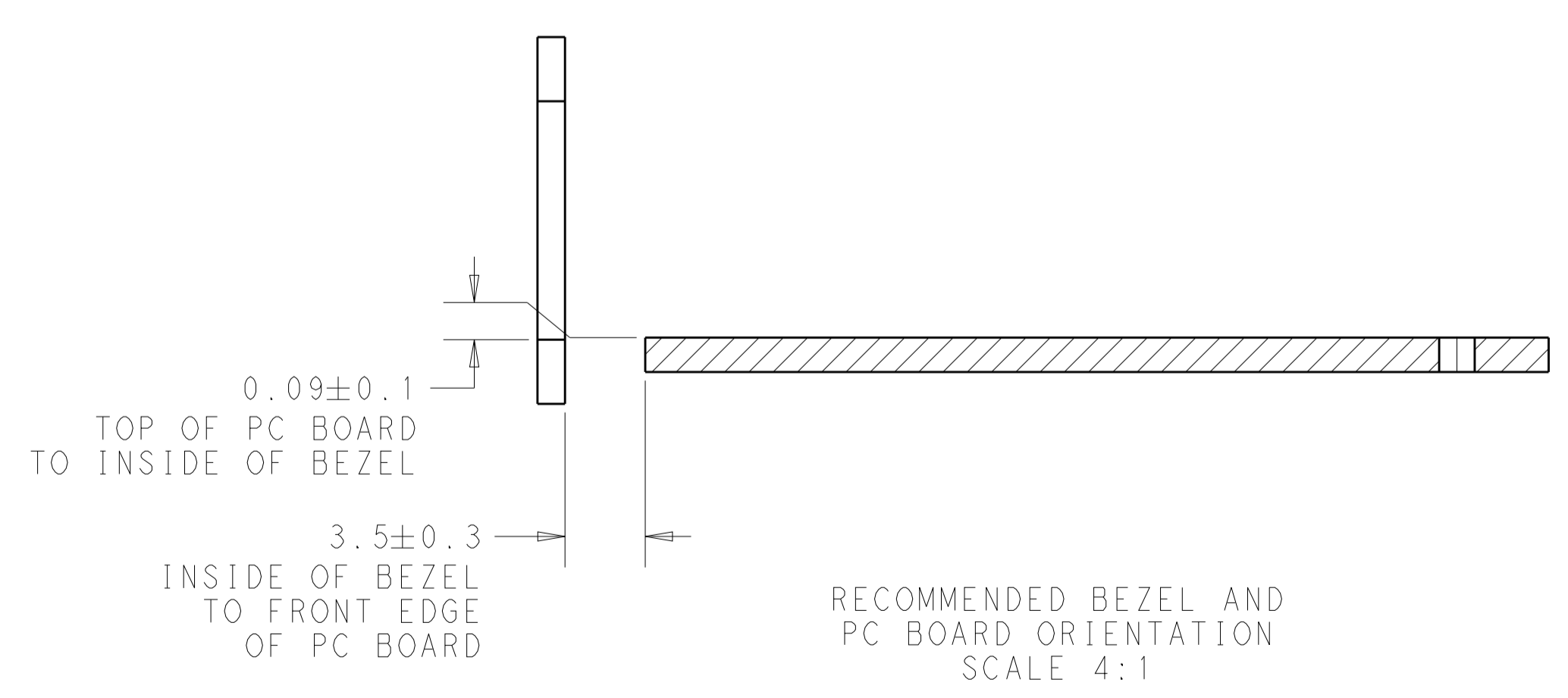
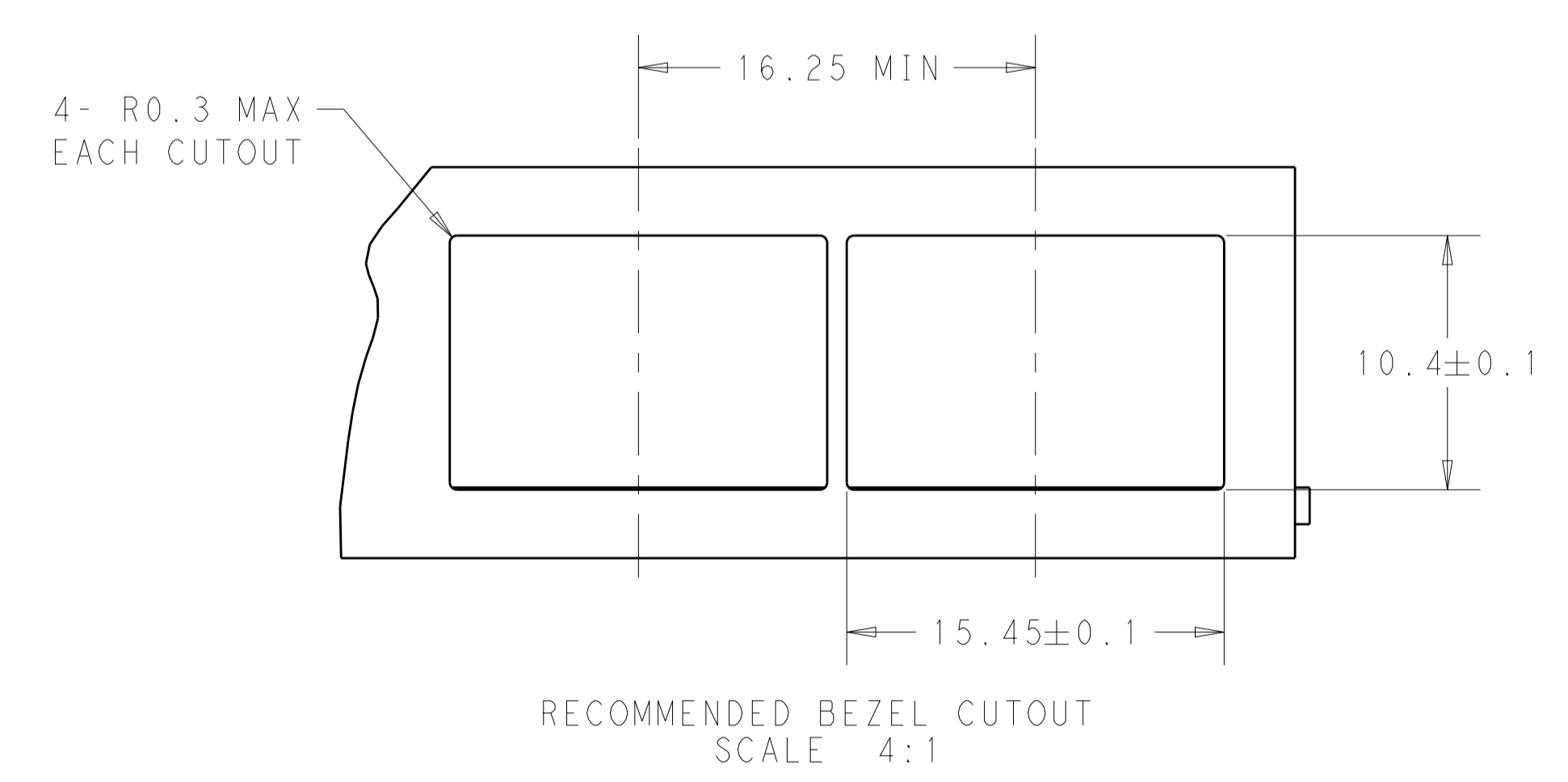
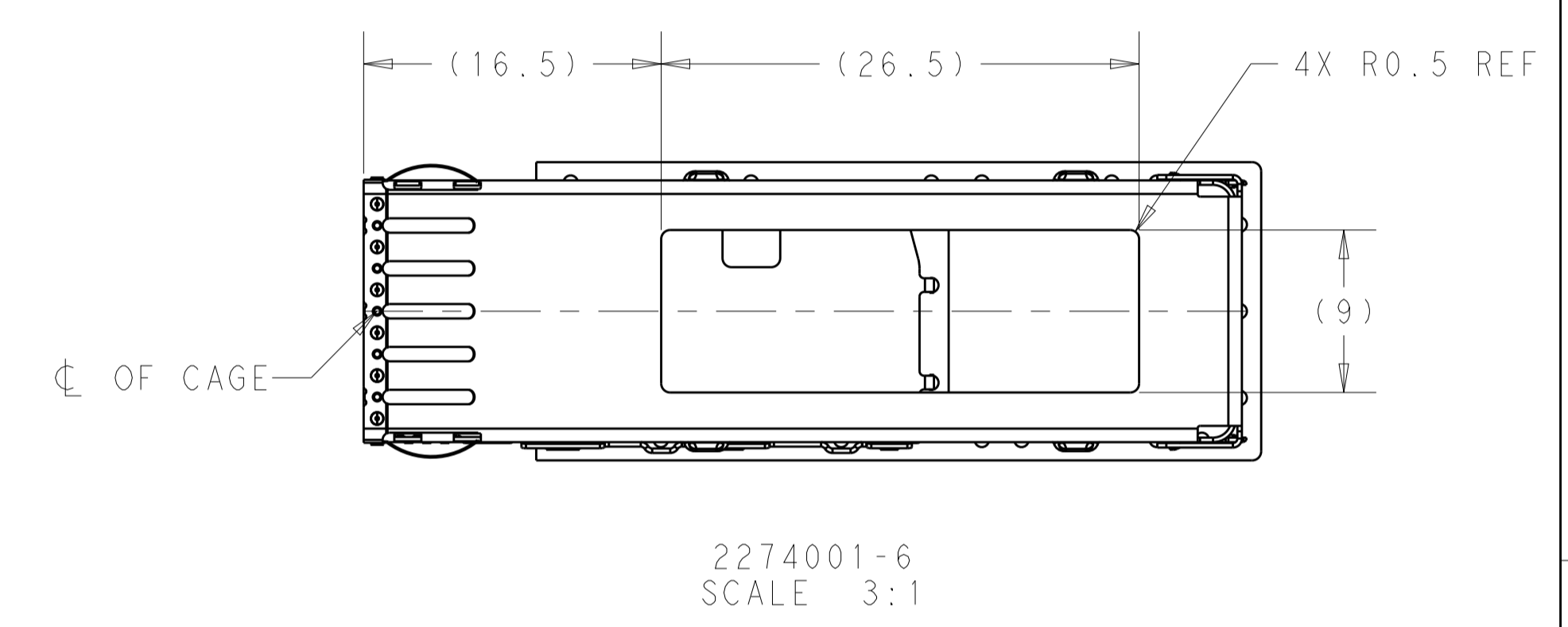
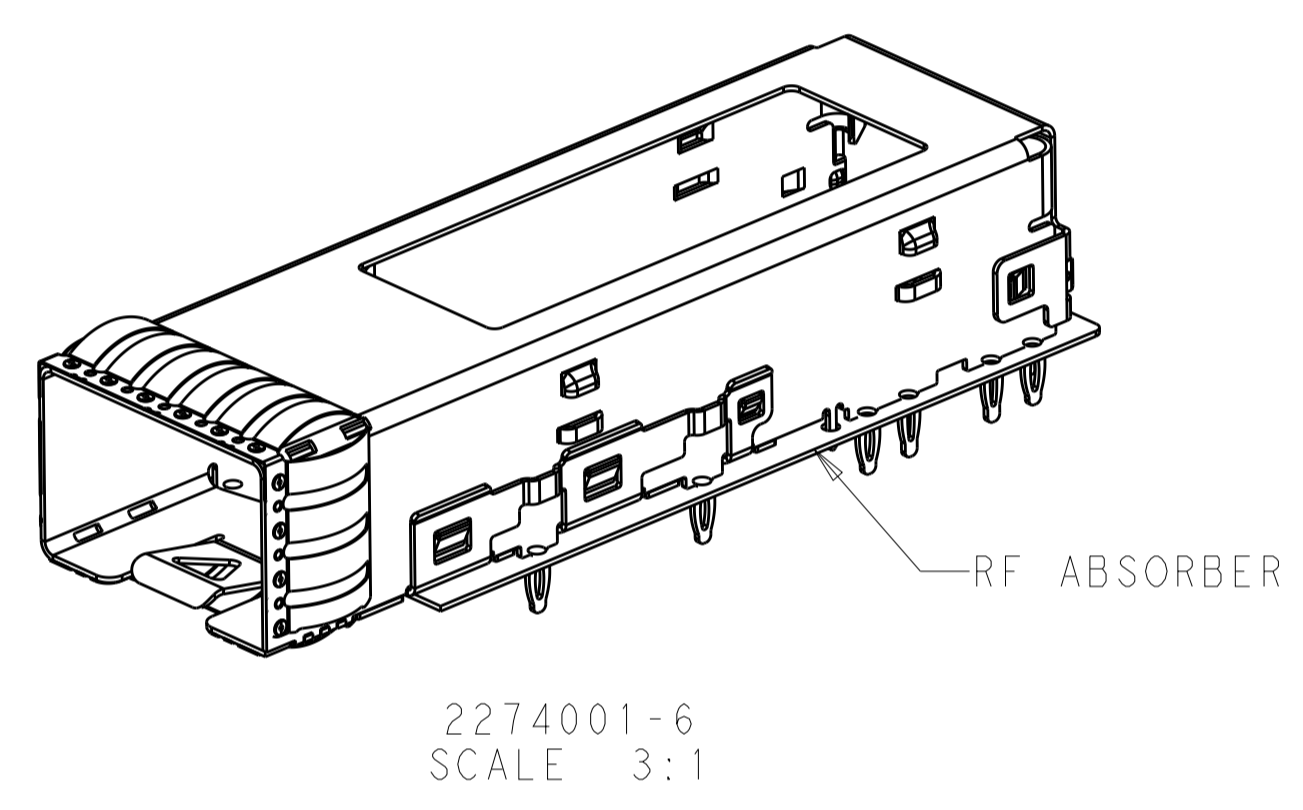
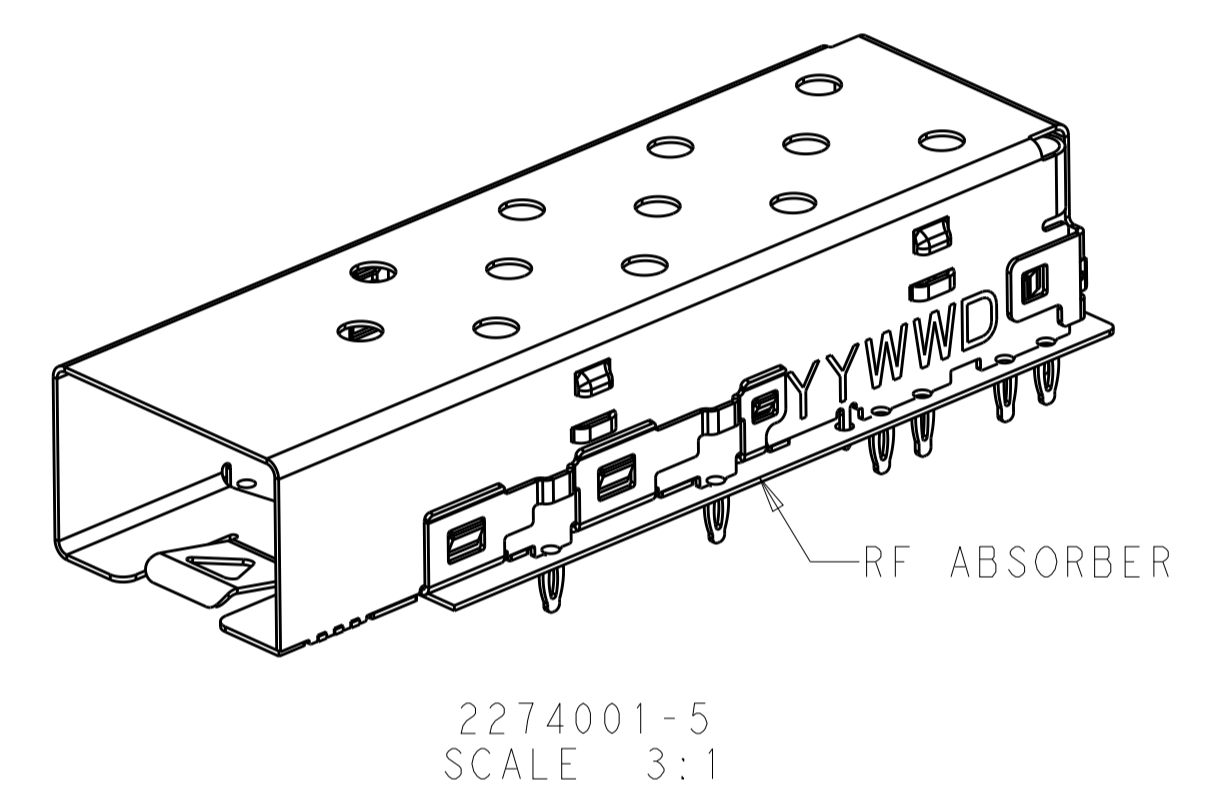
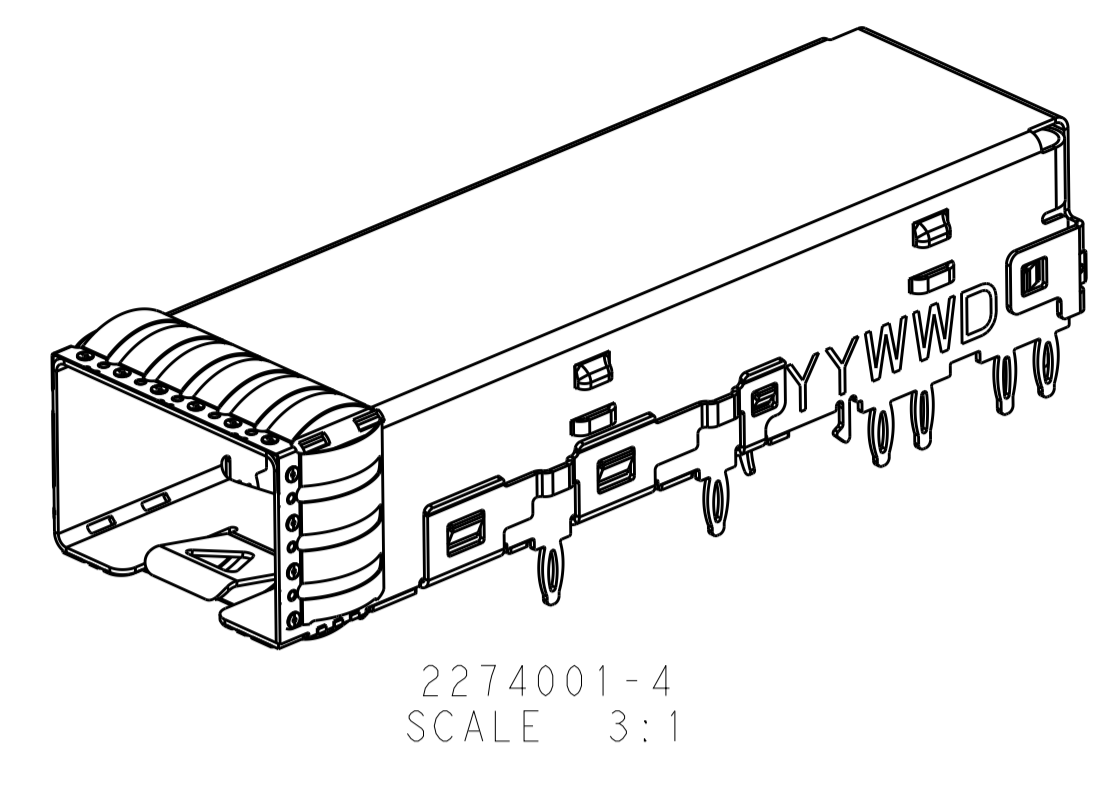
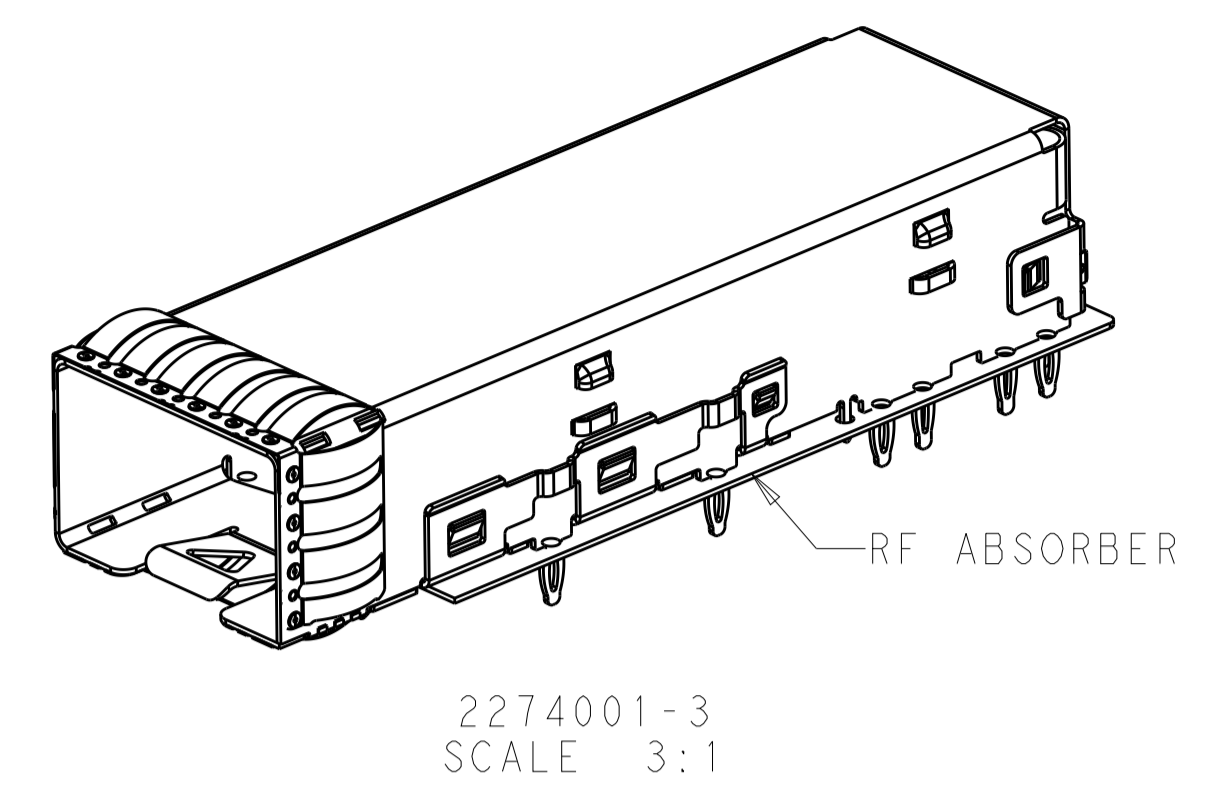
| | |
|--------------------------------|-----------|
| WITH HEAT SINK OPEN | 2274001-6 |
| W/O EMI SPRINGS | 2274001-5 |
| W/O VENT HOLES AND RF ABSORBER | 2274001-4 |
| W/O VENT HOLES | 2274001-3 |
| STANDARD TYPE | 2274001-1 |
| DESCRIPTION | PART NO |

THIS DRAWING IS A CONTROLLED DOCUMENT.

| | | | | | |
|-------------|--|--------------------------|-----------------------------|--------------------------|--|
| DIMENSIONS: | TOLERANCES UNLESS OTHERWISE SPECIFIED: | OWN: WINDY LIU 08APR2016 | CHK: SEAN HAN 08APR2016 | APVD: SEAN HAN 08APR2016 | NAME: ZSFP+ 1X1 CAGE ASSEMBLY, PRESS-FIT STANDARD, EMI SPRINGS |
| mm | 0 PLC ±0.1 1 PLC ±0.1 2 PLC ±0.1 3 PLC ±0.05 4 PLC ±0.05 ANGLES ±0.05 | PRODUCT SPEC: 108-2364 | APPLICATION SPEC: 114-13120 | SIZE: A1 | RESTRICTED TO: - |
| MATERIAL: | FINISH: | WEIGHT: - | CUSTOMER DRAWING | SCALE: 5:1 | SHEET 1 OF 3 |

STE TE Connectivity

| LOC | DIST | REVISIONS | | | | | |
|-----|------|-----------|-----|-------------|------|-----|------|
| GP | 00 | P | LTN | DESCRIPTION | DATE | DMN | APVD |
| | | - | | SEE SHEET 1 | | | |



| | | | |
|--|--------------|----------------------------|---|
| THIS DRAWING IS A CONTROLLED DOCUMENT. | | DMN VINDY LIU 08APR2016 | TE Connectivity |
| DIMENSIONS: mm | | CHK SEAN HAN 08APR2016 | |
| TOLERANCES UNLESS OTHERWISE SPECIFIED: | | APVD SEAN HAN 08APR2016 | NAME ZSFP+ 1X1 CAGE ASSEMBLY, PRESS-FIT STANDARD, EMI SPRINGS |
| 0 PLC ±0.1 | 1 PLC ±0.1 | PRODUCT SPEC 108-2364 | SIZE CAGE CODE DRAWING NO RESTRICTED TO |
| 2 PLC ±0.1 | 3 PLC ±0.05 | APPLICATION SPEC 114-13120 | A100779C=2274001 |
| 4 PLC ±0.05 | ANGLES ±0.05 | WEIGHT | SCALE 5:1 SHEET 2 OF 3 REV B |
| MATERIAL | FINISH | CUSTOMER DRAWING | |

