

THIS DRAWING IS UNPUBLISHED. RELEASED FOR PUBLICATION 20
COPYRIGHT 20 BY - ALL RIGHTS RESERVED.

REVISIONS					
P	LTR	DESCRIPTION	DATE	DWN	APVD
	C3	REVISED PER ECR-19-017851	28NOV2019	SM	DZ

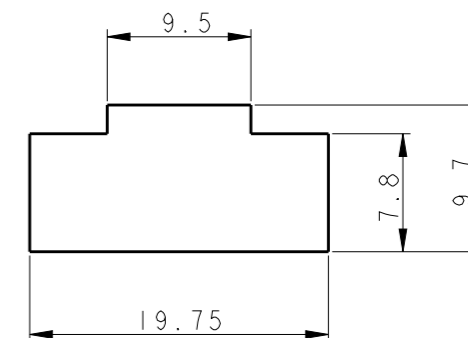
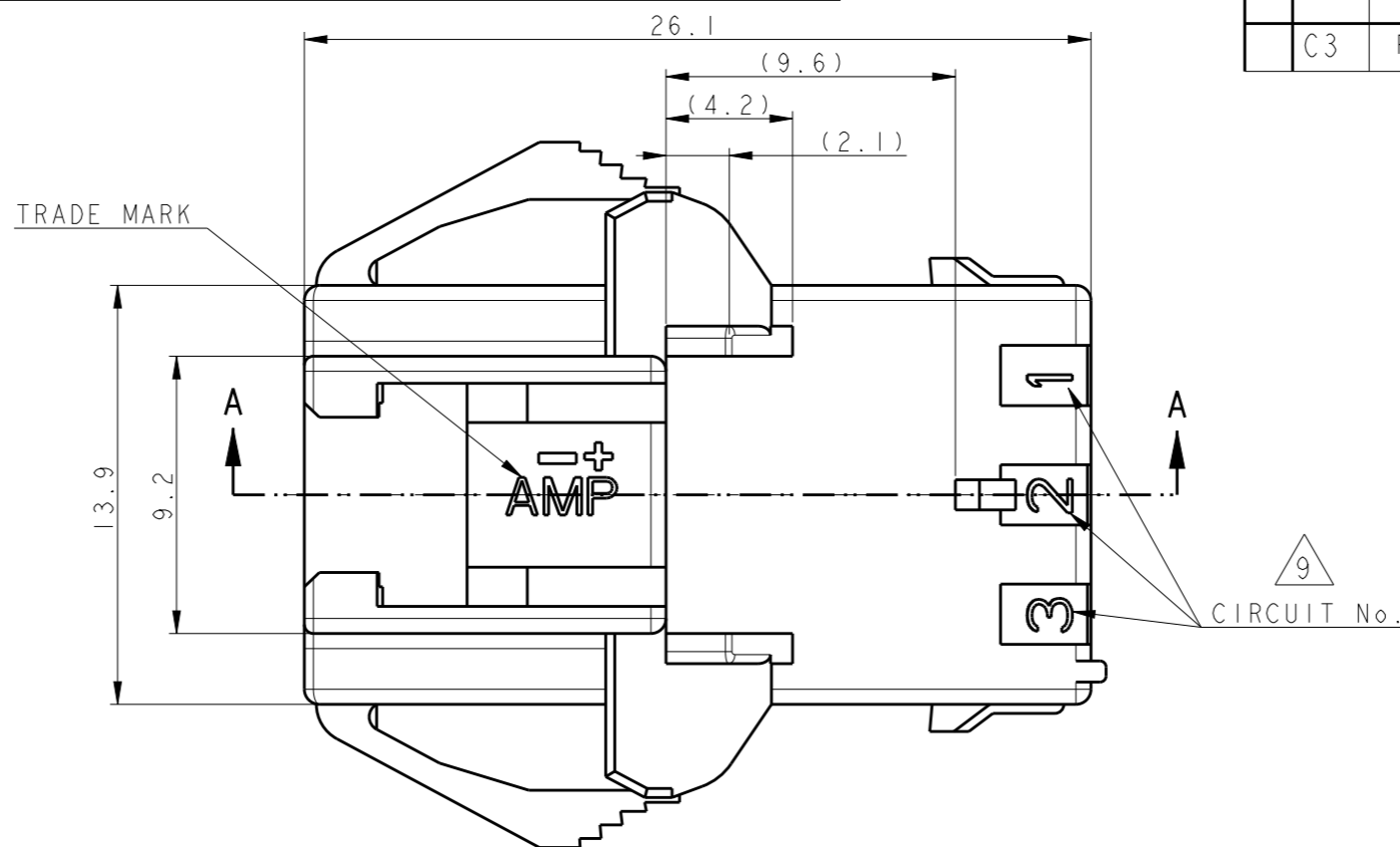
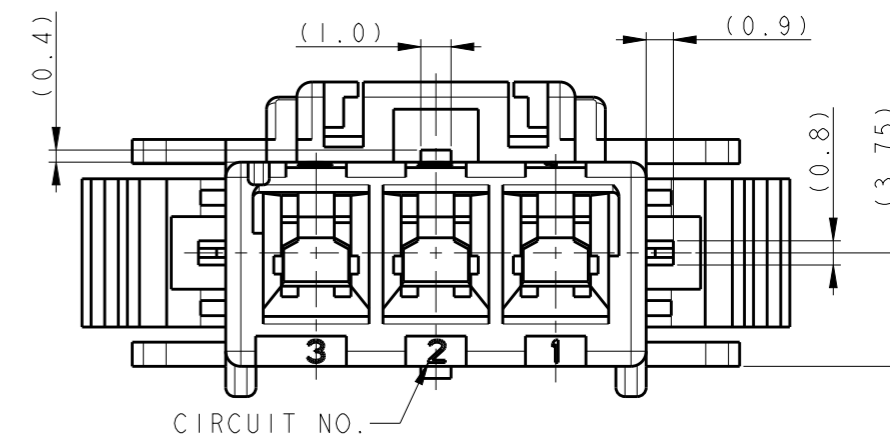
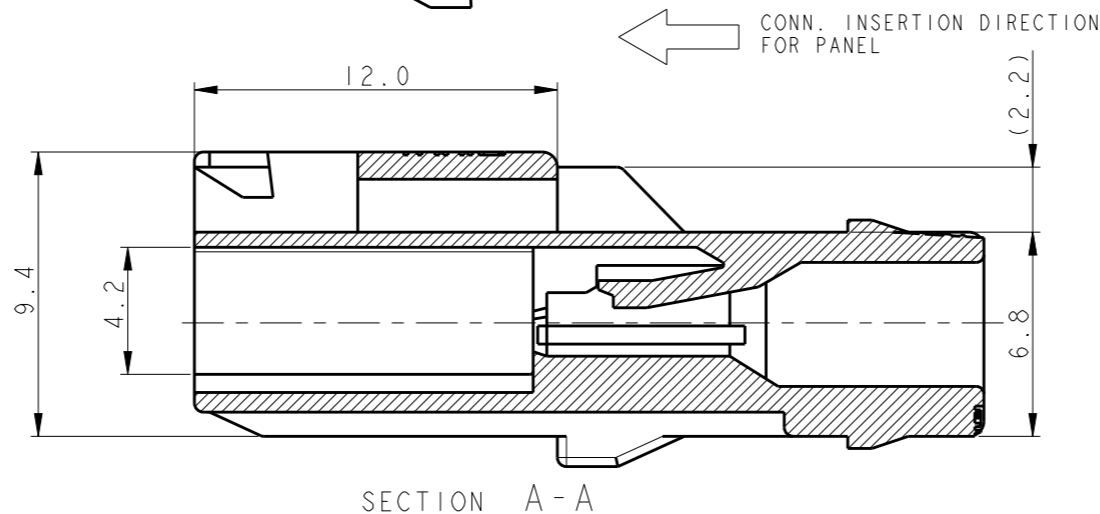
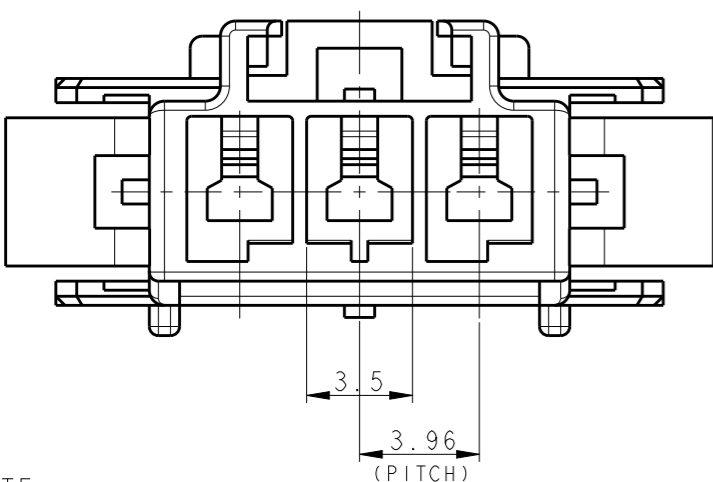


FIG 1. RECOMMENDED PANEL OPENING DIMENSION
TOLERANCES: ±0.13

TABLE 1

TRADE MARK	MANUFACTURING PLACE
-+AMP OR AMP	CHINA
•AMP OR AMP	KOREA
-AMP OR AMP	JAPAN



NOTE;

1. APPLICABLE CONTACT P/N
-TAB CONTACT: 177917-□ (AWG#20-#16)
177916-□ (AWG#26-#22)
2. MATING CONN. P/N
-PLUG HSG: 177899-□
-REC CONTACT: 177915-□ (AWG#20-#16)
: 177914-□ (AWG#26-#22)
4. APPLICABLE PLATE P/N: 177919-□
5. INSTRUCTION SHEET: 411-5638
6. APPLICATOIN PANEL THICKNESS: 0.8~2.0 (SEE FIG 1.)PART
7. INSERT CONN. FROM PRESS DIRECTION SIDE FOR METAL PANEL.
8. EDGE OF THICKNESS MAY MUST NOT ROUND FOR MOLDED PANEL.
- SEE TABLE 1
10. ALL PARTS MEET REI ELECTRICAL RATING OF 105°C ACCORDING TO UL1977
11. PART 5-177907-1 COMPLY WITH GLOW WIRE REQUIREMENT FOR PART OF NON-MATERIAL SUPPORTING A CURRENT-CARRYING CONNECTION DETAILED IN IEC60335-1 SECTION 30 (GWT)

3	5-177907-1	NATURAL
3	177907-9	BLACK
3	177907-6	BLUE
3	177907-4	YELLOW
3	177907-2	RED
3	177907-1	NATURAL
POS.	P/N	COLOR

THIS DRAWING IS A CONTROLLED DOCUMENT.		DWN M. SUZUKI 9.SEP. '93	TE Connectivity	
DIMENSIONS: mm		CHK M. SHINDO 9.SEP. '93		
TOLERANCES UNLESS OTHERWISE SPECIFIED:		APVD Y. KASHIWA 9.SEP. '93	NAME AMP PDL CONN., 3.96MM PITCH 3P CAP HOUSING (PANEL MOUNT)	
0 PLC ±:		PRODUCT SPEC 108-5410	SIZE A3	
1 PLC ±0.1		APPLICATION SPEC 114-5175	CAGE CODE 00779	DRAWING NO C-177907
2 PLC ±0.05		WEIGHT -	RESTRICTED TO -	
3 PLC ±0.025		CUSTOMER DRAWING	SCALE 4:1	SHEET 1 OF 1
4 PLC ±0.0001			REV C3	
ANGLES ±:				
MATERIAL 6/6 NYLON (UL94V-0)				
FINISH -				