

D-SUB sleeve housings - CUC-DST-GPME-S/DSSC25 - 1419719

Please be informed that the data shown in this PDF Document is generated from our Online Catalog. Please find the complete data in the user's documentation. Our General Terms of Use for Downloads are valid (<http://phoenixcontact.com/download>)




D-SUB sleeve housings, degree of protection: IP20, material: ABS, metal-plated, cable outlet: straight, size of housing: 3, color: Bare metallic

Your advantages

- ✓ Easy to mount thanks to pre-assembled locking screws
- ✓ Antimagnetic plastic housing
- ✓ Particularly suitable for D-SUB connectors with special contacts thanks to large interior



Key Commercial Data

Packing unit	1 pc
GTIN	 4 055626 187891
GTIN	4055626187891

Technical data

Mechanical characteristics

External cable diameter	4 mm ... 12 mm
Cable outlet	straight
Color	Bare metallic
Mounting type	Screw locking
Screw thread	4-40 UNC
Degree of protection	IP20
Type	D-SUB 25
Size of housing	3
No. of cable outlets	1

Ambient conditions

Ambient temperature (operation)	-35 °C ... 95 °C
---------------------------------	------------------

Material data

D-SUB sleeve housings - CUC-DST-GPME-S/DSSC25 - 1419719

Technical data

Material data

Flammability rating according to UL 94	V0
Housing material	ABS, metal-plated
Housing surface material	metal-plated
Depth	17.2 mm
Height	12.5 mm

Standards and Regulations

Flammability rating according to UL 94	V0
--	----

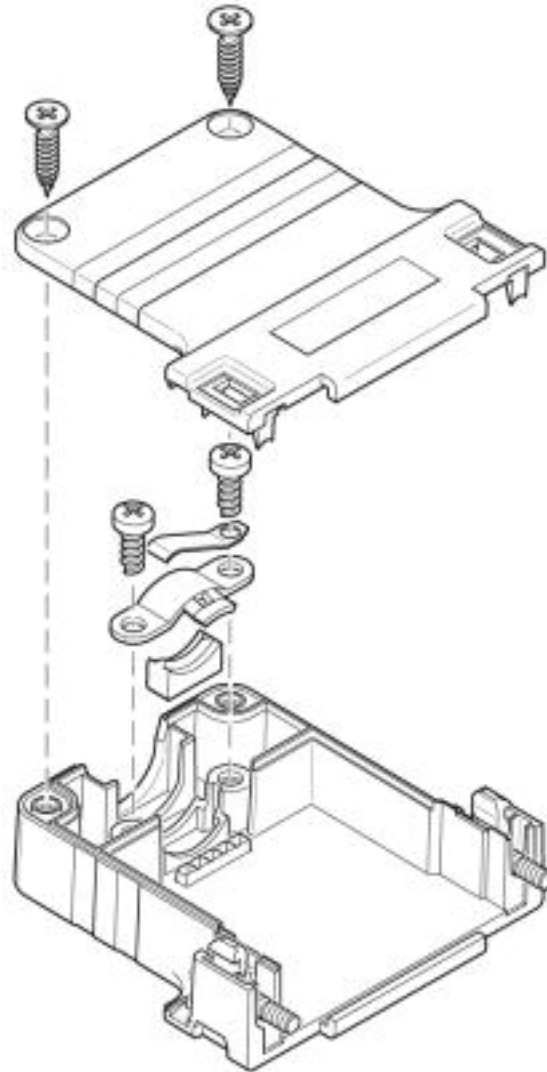
Environmental Product Compliance

China RoHS	Environmentally friendly use period: unlimited = EFUP-e
	No hazardous substances above threshold values

Drawings

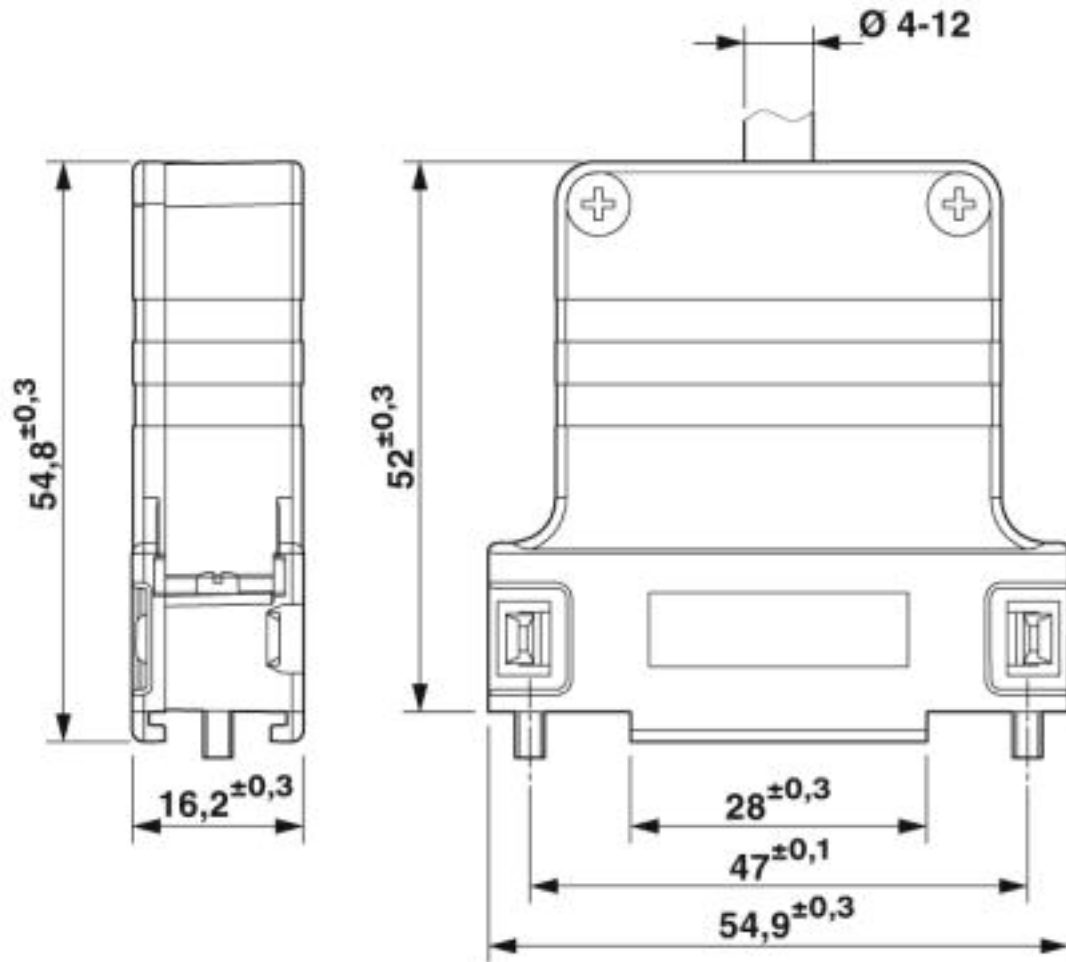
D-SUB sleeve housings - CUC-DST-GPME-S/DSSC25 - 1419719

Schematic diagram



D-SUB sleeve housings - CUC-DST-GPME-S/DSSSC25 - 1419719

Dimensional drawing



D-SUB sleeve housings

Approvals

Approvals

Approvals

EAC

Ex Approvals

Approval details

D-SUB sleeve housings - CUC-DST-GPME-S/DSSC25 - 1419719

Approvals

EAC



B.01742

Phoenix Contact 2019 © - all rights reserved
<http://www.phoenixcontact.com>

PHOENIX CONTACT GmbH & Co. KG
Flachsmarktstr. 8
32825 Blomberg
Germany
Tel. +49 5235 300
Fax +49 5235 3 41200
<http://www.phoenixcontact.com>