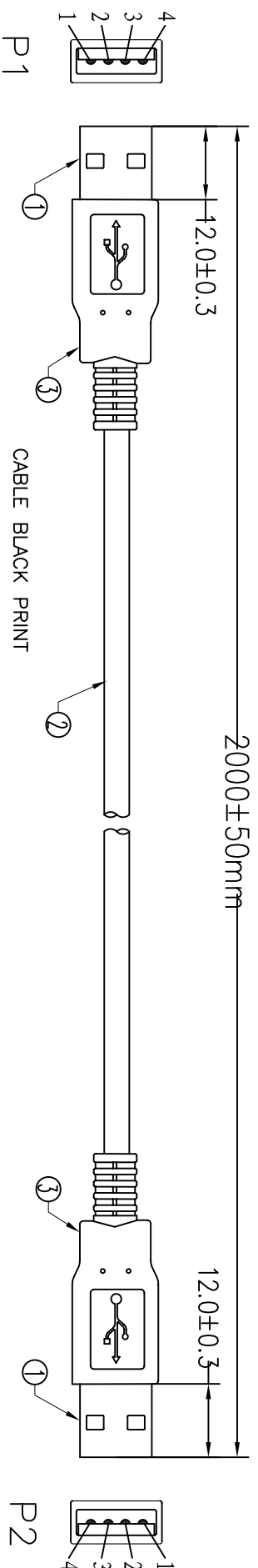
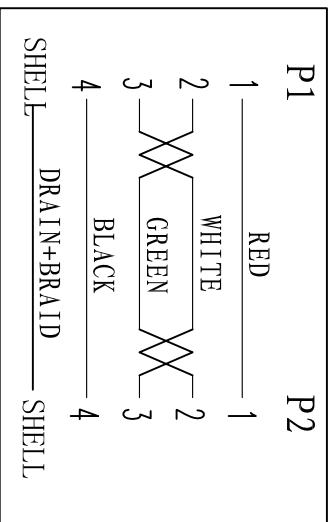


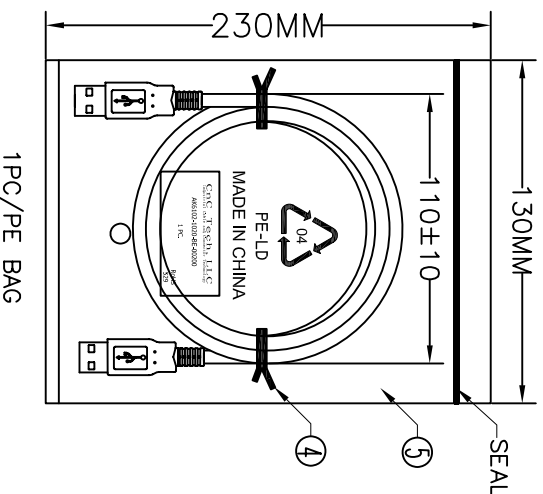
UNIT: mm



PIN ASSIGNMENT:



Electrical test:
 1. 100% short, open, miswire test
 2. Conduct resistance: 2 Ohm(max)
 3. Insulation resistance: 5Mohm(min)
 4. dielectric test: DC 300V



⑥	PE 袋	1/10	透明PE袋大小尺寸:280*330*0.05mm	印刷黑色"MADE IN CHINA"+"10PCS"印生产周期,有透气孔.
⑤	PE 袋	1	透明PE袋大小尺寸:130*230*0.05mm	印刷黑色"MADE IN CHINA"+"1PC"印生产周期,有透气孔.
④	扎带	2	白色 L=100mm	
③	外模	12g	贝吉色 (TV-29#)	PVC-40P (MOULD NO:WM-40)
②	线材	1	贝吉色 (TV-29#)	USB2.0 UI.2725 28#/1P+24#/2C+AEB 0D:4.7mm L=2000±10
①	接头	2set	USB2.0 A公刺破式 一体式长铁壳镀镍 大线夹,铁壳厚度0.3白胶芯白后盖,0.9*1.1端子青铜镀金G/F	
NO.	NAME	Q'TY	SPECIFICATION	

CNC Tech, LLC
 Industrial Cable and Connector Technology

DRAWN	Andy	DRAWING NO	
CHECKED		CUSTOMER	
APPROVAL		ITEM NO.	102-1020-BE-00200
DECIDED		DATE	2013-8-23
VERSIONS/EDITION	A/0	PROJECTION	