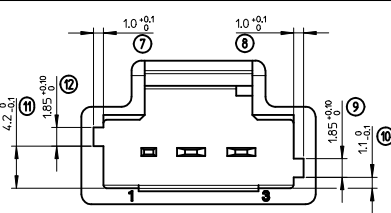
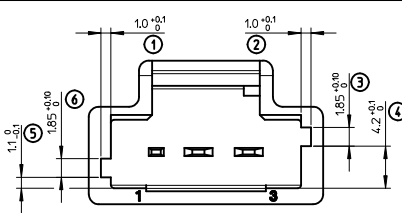


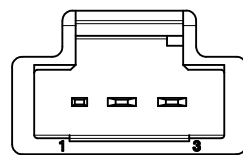
CODINGS



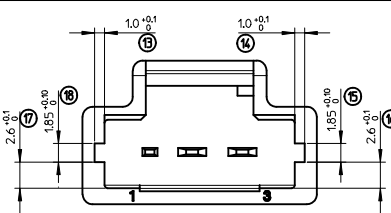
COLOR: GREEN



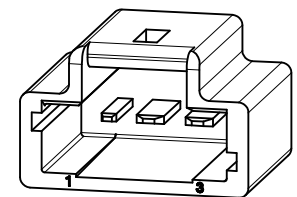
COLOR: BROWN



COLOR: BLACK

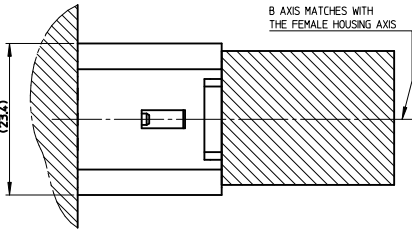
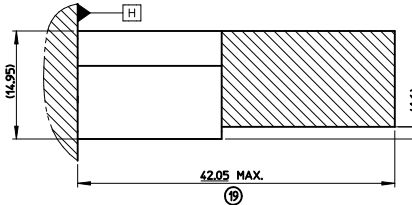


COLOR: WHITE

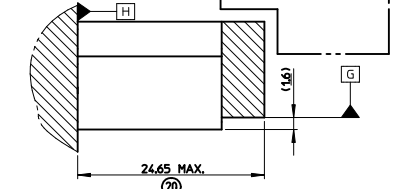


ISO VIEW
(GREEN CODING)

OVERALL DIMENSIONS



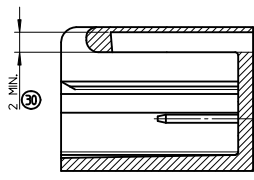
MINIMUM FREE AREA AVAILABLE TO UNPLUG THE CONNECTOR



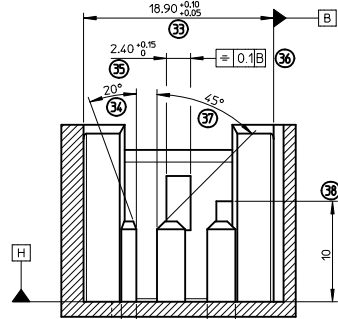
HEADER'S DEFINITION

GREEN CODING REPRESENTED

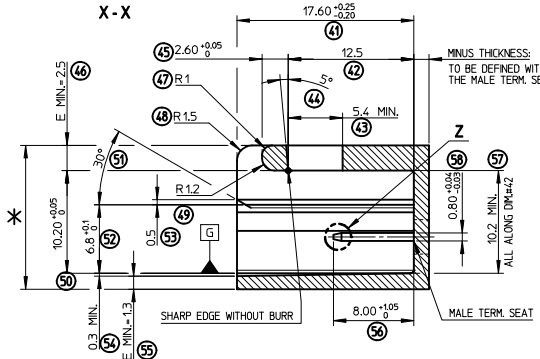
X - X
VARIABLE



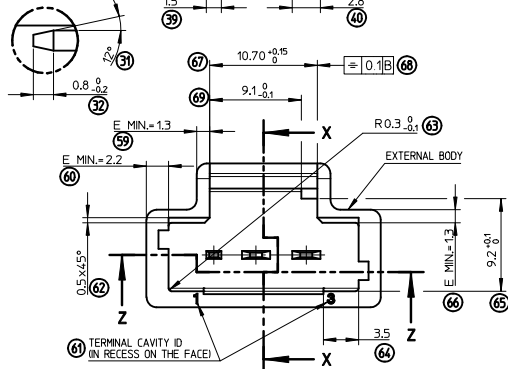
Z - Z



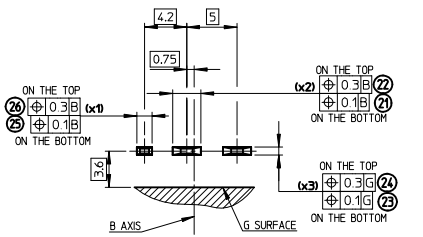
X - X



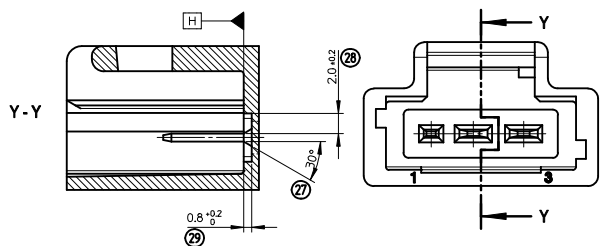
Z



MALE TERMINALS SETTING



MALE TERMINALS VARIABLE SETTING



REV.	FIRST	LAST	DELETED	SUPERSEDED
	(1)	(70)		

INSPECTION NUMBERS

PRINT 1st RELEASE
 EC NO: 62072-0783
 DRAWING DESBRUERES 2012/04/19
 CHKD: JUCLOS 2012/04/19
 APPROVED: OPLESSIS 2012/04/23

QUALITY SYMBOLS
 4 PLACES ±
 3 PLACES ±
 2 PLACES ±0.1
 1 PLACE ±0.1
 0 PLACE ±

GENERAL TOLERANCES (UNLESS SPECIFIED)	
mm	INCH
4 PLACES ±	±
3 PLACES ±	±
2 PLACES ±0.1	±
1 PLACE ±0.1	±
0 PLACE ±	±
ANGULAR ± 2°	
DRAFT WHERE APPLICABLE MUST REMAIN WITHIN DIMENSIONS	

DIMENSION STYLE
MM ONLY

DRAWN BY: GDESBRUERES 2012/04/19
 CHECKED BY: DATE
 JUCLOS 2012/04/19
 APPROVED BY: DATE
 OPLESSIS 2012/04/23

MATERIAL NO. N/A

SCALE 4:1 DESIGN UNITS METRIC FIRST ANGLE PROJECTION

TITLE
3W INTERFACE HYB. TERM (FOR FEMALE HOUSING)

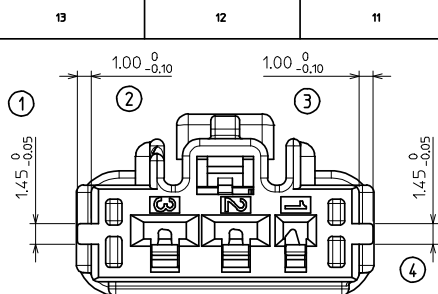
molex

DOCUMENT NO. SD-98820-001 SHEET NO. 1 OF 1

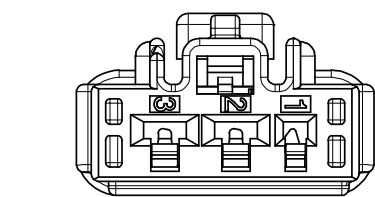
THIS DRAWING CONTAINS INFORMATION THAT IS PROPRIETARY TO MOLEX INCORPORATED AND SHOULD NOT BE USED WITHOUT WRITTEN PERMISSION

NOTES:

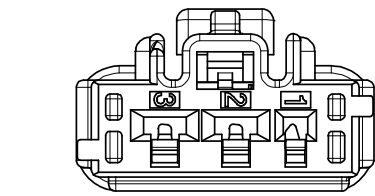
- MALE TERMINALS:**
- MALE TERMINALS RESISTANCE: 100N MIN IN MALE TERM. AXIS.
 - MATERIAL: COPPER, COPPER ALLOY OR BRASS.
 - FINISHES: TIN PLATED 2μ MIN.
- HEADER:**
- RADI WITHOUT DIM: R=0.3MM
 - E MIN: MINIMUM MATERIAL THICKNESS RECOMMENDED FOR SPECIFIED MATERIAL
 - MATERIAL: PBT (RECOMMENDED) (70)
 - WARPING: 0.35MM MAX, ACCEPTED ON "*" DIM, WITH ANOTHER EXTERNAL SHAPE AS DRAWN WHEN PLUGGED.
- MATES WITH:**
- MOLEX CONNECTORS 98821-103X



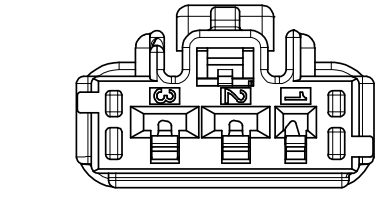
WHITE CODING
0988211030



BLACK CODING
0988211031



GREEN CODING
0988211035

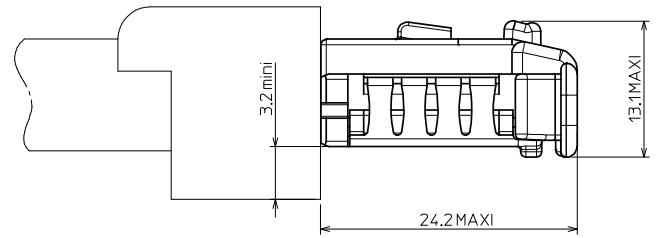
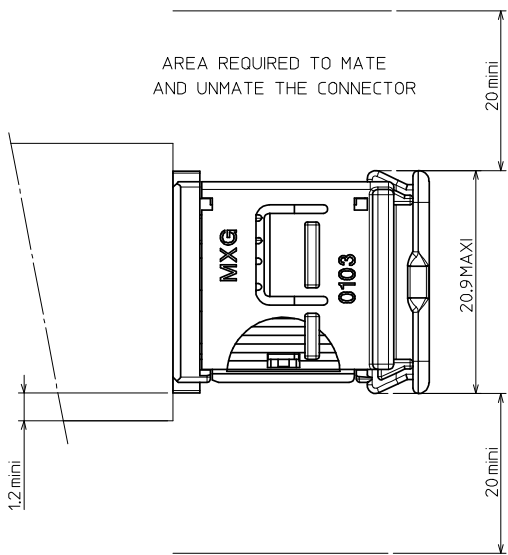


BROWN CODING
0988211039

CODING 4:1

HANDLING AREA

AREA REQUIRED TO MATE
AND UNMATE THE CONNECTOR

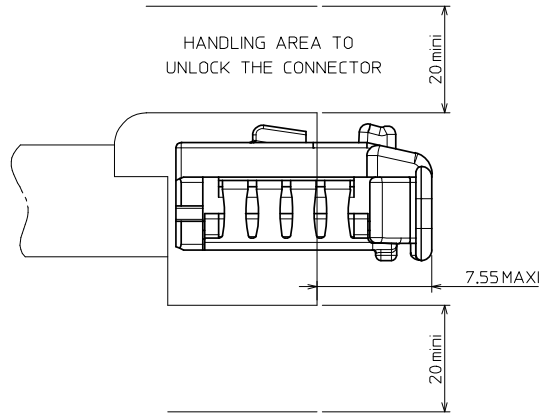


NOTE : 1 - The using conditions of the hinge are shown in the MOLEX specification n°AS-98821-001.

2 - Female terminal used :

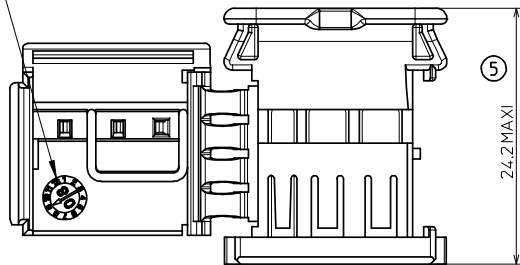
- * For cavity 1.5 mm : SCC RCPT TERM 1.5mm
 - Range 1 : 0988971109 (0.22 mm² to 2x0.22 mm²)
 - Range 2 : 0988971119 (0.5 mm² to 1 mm² included)
 - Range 3 : 0988971129 (2x0.5 mm² to 2 mm² included)
- * for cavity 2.8 mm : RCPT TERM 2.8 mm UCC2
 - Range 1 : 0988981029 (0.34 mm² to 0.68 mm²)
 - Range 2 : 0988981039 (0.93 mm² to 2.16 mm²)
 - Range 3 : 0988981049 (2.26 mm² to 4.95 mm²)

AREA REQUIRED WHEN THE CONNECTOR IS MATED



FIRST RELEASE EC NO: G2009-0009 DRAWN: LPOUCHAUD 2008/07/28 CHKD: YIGEL 2008/07/28 APPR: LSTICKEIR 2008/07/29	DESCRIPTION NCS	GENERAL TOLERANCES (UNLESS SPECIFIED)		DIMENSION STYLE MM ONLY	SCALE 3:1	DESIGN UNITS METRIC	THIRD ANGLE PROJECTION		
		4 PLACES ± --- ± --- 3 PLACES ± --- ± --- 2 PLACES ± --- ± --- 1 PLACE ± 0.10 ± ---	mm INCH	DRAWN BY LPOUCHAUD	DATE 2008/06/18	TITLE NSSC HYBRID RCPT CONN 3CKT			
		ANGULAR ± 2 °	DRAFT WHERE APPLICABLE MUST REMAIN WITHIN DIMENSIONS	CHECKED BY YIGEL	DATE 2008/06/18	APPROVED BY LSTICKEIR			
		SEE CHART	MATERIAL NO.	DATE 2008/06/18	DOCUMENT NO.	MOLEX INCORPORATED		SHEET NO. 1 OF 2	

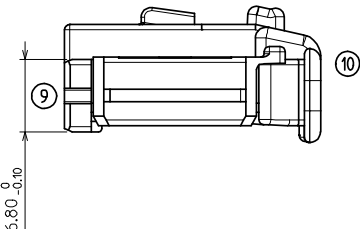
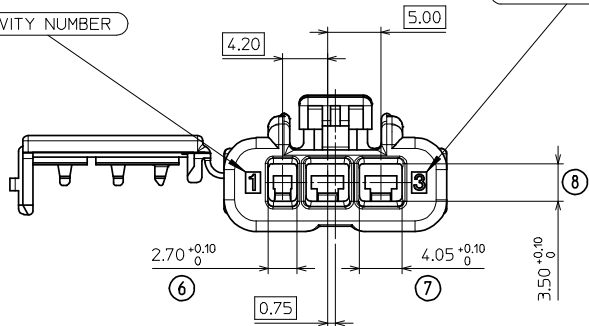
DATUM MONTH/YEAR



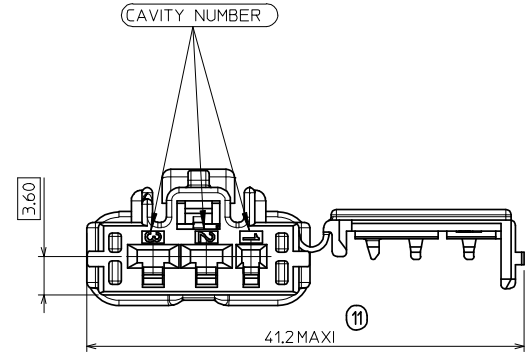
24.2 MAXI

CAVITY NUMBER

CAVITY NUMBER



CAVITY NUMBER

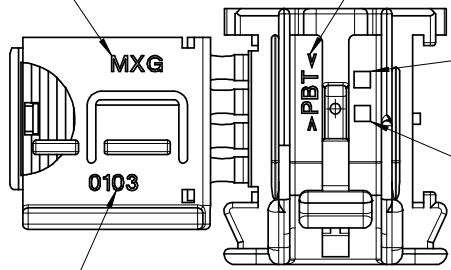


SUPPLIER ENGINEERING CONTROL

RAW MATERIAL

PRINT NUMBER

SUPPLIER MODIFICATION LEVEL



SUPPLIER PART NUMBER

WHITE CODING (P/N 0988211030) IS SHOWN.

NSCC HYBRID RCPT CONN 3CKT	0988211039	Brown	POLYESTER (PBT)	2.694 g			
	0988211035	Green					
	0988211031	Black					
	0988211030	White					
Description	Part-Number	Color	Raw Material	Weight effective			
FIRST RELEASE EC NO: G2009-0009 DRAWN: LPOUCHAUD 2008/07/28 CHKD: YIGEL 2008/07/28 APPR: LSTICKEIR 2008/07/29	QUALITY SYMBOLS ▽=0 ▽=0	GENERAL TOLERANCES (UNLESS SPECIFIED)		DIMENSION STYLE MM ONLY	SCALE 3:1	DESIGN UNITS METRIC	THIRD ANGLE PROJECTION
		4 PLACES ± --- ± --- 3 PLACES ± --- ± --- 2 PLACES ± --- ± --- 1 PLACE ± 0.10 ± --- ANGULAR ± 2 °	mm INCH DRAWN BY DATE LPOUCHAUD 2008/06/18 CHECKED BY DATE YIGEL 2008/06/18 APPROVED BY DATE LSTICKEIR 2008/06/18 MATERIAL NO.	TITLE		NSCC HYBRID RCPT CONN 3CKT	
DRAFT WHERE APPLICABLE MUST REMAIN WITHIN DIMENSIONS		SEE CHART		MOLEX INCORPORATED SD-98821-001		SHEET NO. 2 OF 2	
THIS DRAWING CONTAINS INFORMATION THAT IS PROPRIETARY TO MOLEX INCORPORATED AND SHOULD NOT BE USED WITHOUT WRITTEN PERMISSION							