

10 9 8 7 6 5 4 3 2 1

F

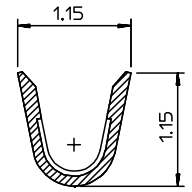
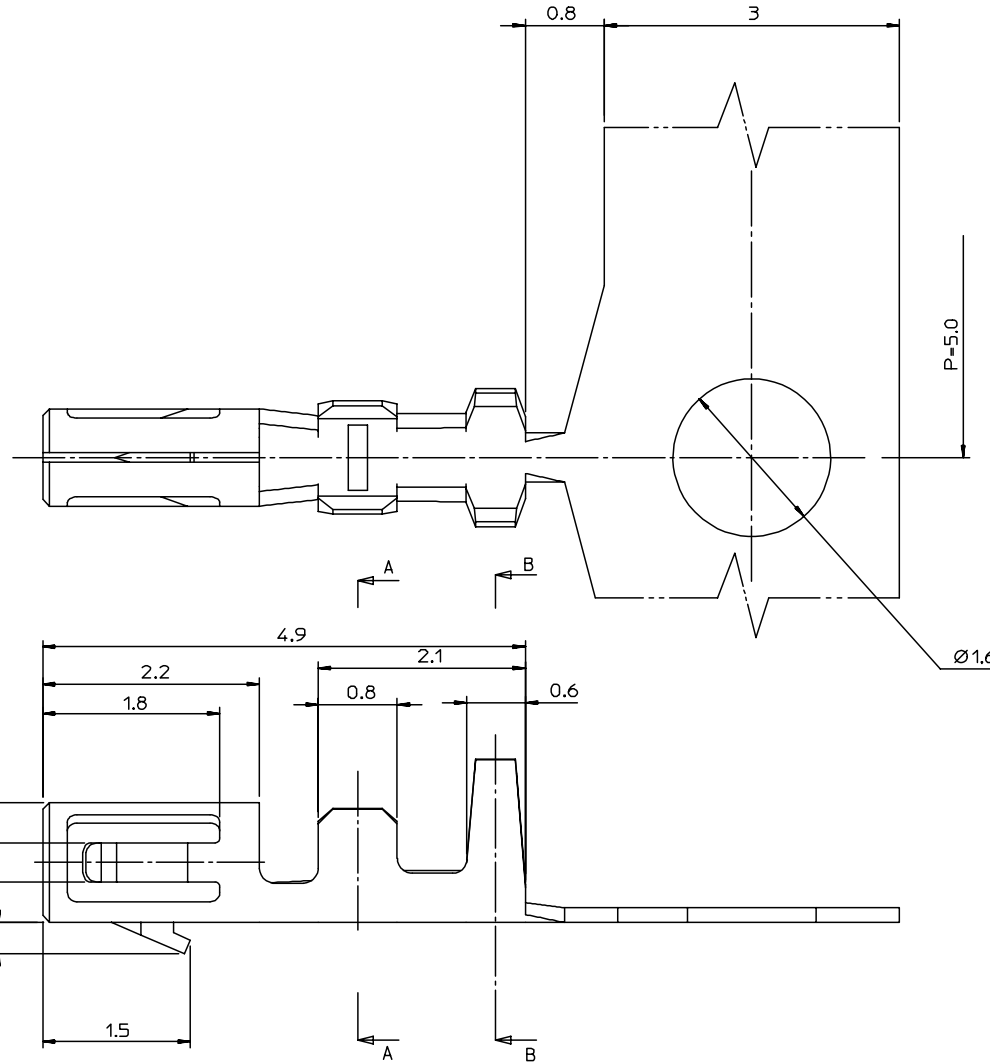
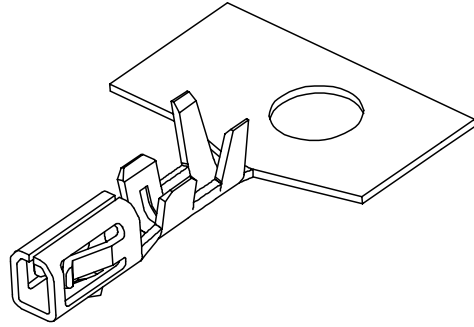
E

D

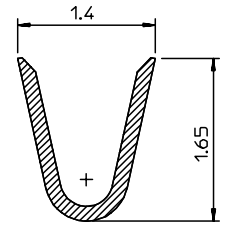
C

B

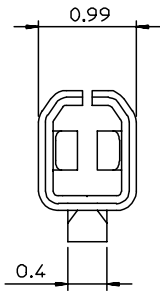
A



SECTION A-A



SECTION B-B



NOTES

1. MATERIALS: C5210-H, 0.15mmTHICK' PRE TIN PLATED
2. APPLICABLE HOUSING : 49560-0800

NEW RELEASED	2007/08/09
EC NO: K0R2008-0024	
DRWN: CCHIN	2007/08/09
CHKD: CCHIN	
APPR: YUNSIKKIM	2007/08/13

QUALITY SYMBOLS	DESCRIPTION
▽=0	
∇=0	

GENERAL TOLERANCES (UNLESS SPECIFIED)		
	mm	INCH
4 PLACES	± ---	± ---
3 PLACES	± ---	± ---
2 PLACES	± 0.2	± ---
1 PLACE	± 0.2	± ---
ANGULAR ± 1°		
DRAFT WHERE APPLICABLE MUST REMAIN WITHIN DIMENSIONS		

DIMENSION STYLE	
MM ONLY	
DRAWN BY	DATE
WY.YANG	07/01/22
CHECKED BY	DATE
WY.YANG	07/01/22
APPROVED BY	DATE
MATERIAL NO.	499468001

SCALE	---
DESIGN UNITS	METRIC
THIRD ANGLE PROJECTION	
TITLE	
1.27 W-T-B CONN	
1.27 W/B TERMINAL	
MOLEX INCORPORATED	
MATERIAL NO.	499468001
DOCUMENT NO.	SD-49946-001
SHEET NO.	1 OF 1

9 8 7 6 5 4 3 2 1