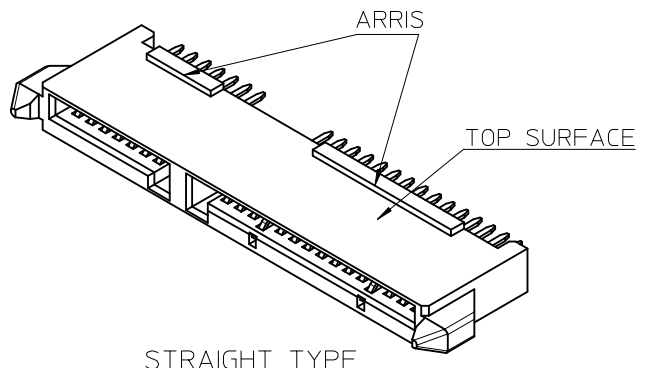
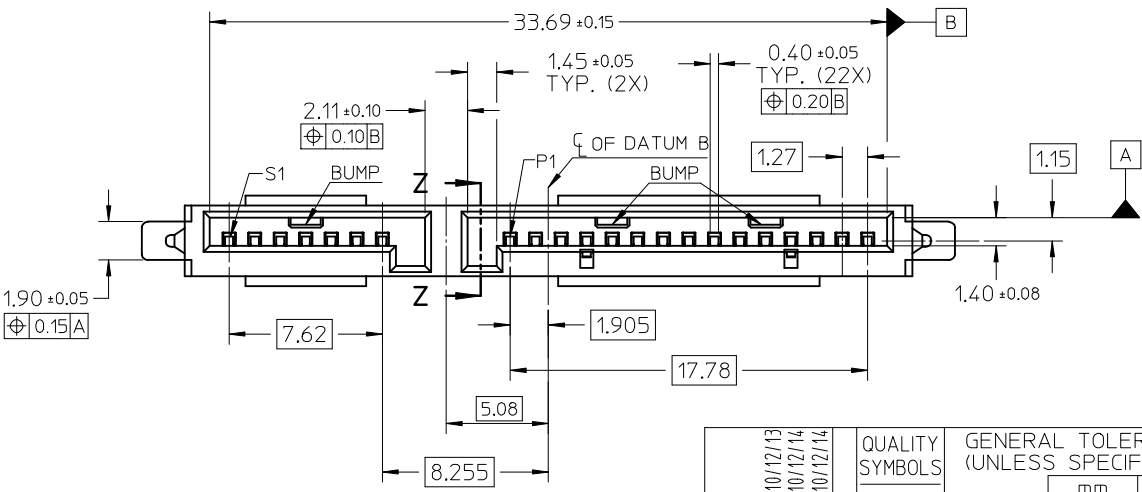
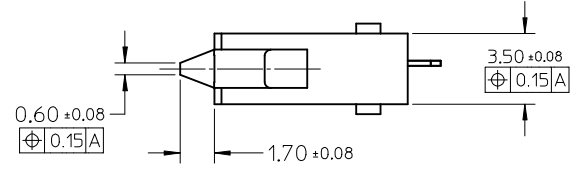


- NOTES:
- MATERIAL:  
HOUSING: THERMAL PLASTIC, GLASS FILLED, UL94V-0, COLOR: BLACK.  
TERMINAL: COPPER ALLOY, THICKNESS=0.25MM.
  - TERMINAL PLATING:  
CONTACT AREA: GOLD PLATED, SEE TABLE.  
SOLDER AREA: PURE TIN, THICKNESS=1.27 MICRONS MINIMUM.  
UNDER PLATE: NICKLE, THICKNESS=1.27 MICRONS MINIMUM.
  - PRODUCT SPECIFICATION: REFER TO PS-47362-001.
  - PACKAGING METHOD: REFER TO PK-47362-001.
  - PRODUCT COMPLIANT TO RoHS DIRECTIVE 2002/95/EC AND ELV DIRECTIVE 2000/53/EC



STRAIGHT TYPE



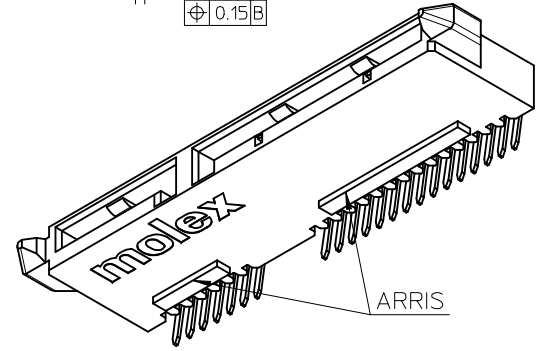
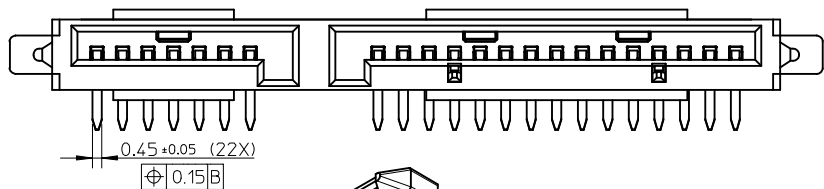
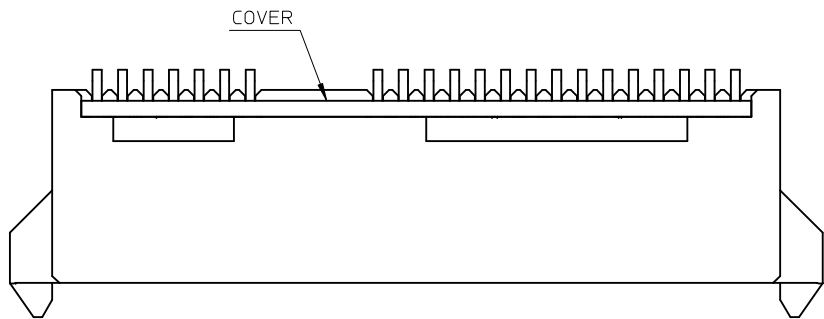
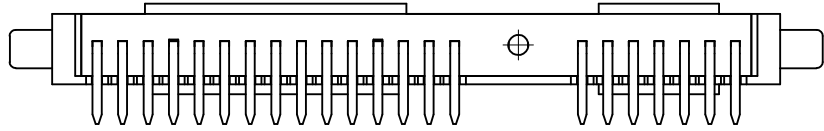
REVISED	DESCRIPTION	QUALITY SYMBOLS
EC NO: SH2011-0156		$\nabla A=0$
DRWN:XOZHANG		$\nabla B=0$
CHKD:GLLI		$\nabla C=0$
APPR:XJ.SONG		$\nabla D=0$
REV		
J		

GENERAL TOLERANCES (UNLESS SPECIFIED)	
mm	INCH
4 PLACES ± ---	± ---
3 PLACES ± ---	± ---
2 PLACES ± 0.20	± ---
1 PLACE ± 0.25	± ---
ANGULAR ± 3 °	
DRAFT WHERE APPLICABLE MUST REMAIN WITHIN DIMENSIONS	

DIMENSION STYLE	
MM ONLY	
DRAWN BY	DATE
BCHEN26	2005/12/05
CHECKED BY	DATE
DIXON	2005/12/05
APPROVED BY	DATE
GRATE	2005/12/05
MATERIAL NO.	DOCUMENT NO.
SEE SHEET 4	
SIZE	
A3	

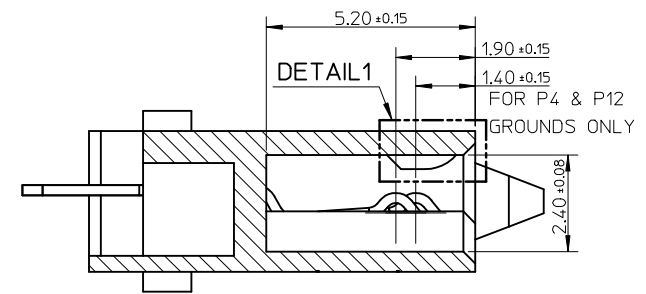
SCALE	DESIGN UNITS	THIRD ANGLE PROJECTION
4:1	METRIC	⊙ □
TITLE		
COMBO SATA RECEPTACLE CABLE END		
MOLEX INCORPORATED		
MATERIAL NO.	DOCUMENT NO.	SHEET NO.
SD-47362-100		1 OF 4
THIS DRAWING CONTAINS INFORMATION THAT IS PROPRIETARY TO MOLEX INCORPORATED AND SHOULD NOT BE USED WITHOUT WRITTEN PERMISSION		

10 9 8 7 6 5 4 3 2 1

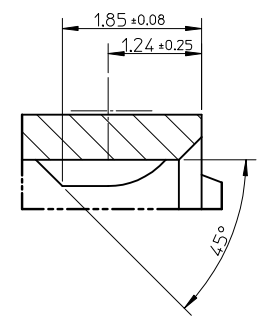
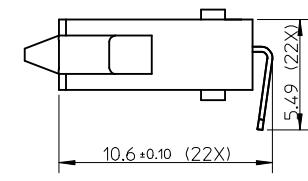


RIGHT ANGLE 90 DEGREE TYPE

OTHER DIMENSIONS REFER TO STRAIGHT TYPE



SECTION Z-Z



DETAIL 1

SEE SHEET 1 EC NO: SH2011-0156 DRWN: XZHANG 2010/12/13 CHKD: GLLI 2010/12/14 APPR: XJISONG 2010/12/14	QUALITY SYMBOLS F=0 F=0 F=0	GENERAL TOLERANCES (UNLESS SPECIFIED) mm INCH 4 PLACES ± --- ± --- 3 PLACES ± --- ± --- 2 PLACES ± 0.20 ± --- 1 PLACE ± 0.25 ± --- ANGULAR ± 3°	DIMENSION STYLE MM ONLY DRAWN BY: BCHEN26 CHECKED BY: DIXON APPROVED BY: GRATE DATE: 2005/12/05 DATE: 2005/12/05 DATE: 2005/12/05	SCALE: 4:1 DESIGN UNITS: METRIC THIRD ANGLE PROJECTION	TITLE: COMBO SATA RECEPTACLE CABLE END MOLEX INCORPORATED DOCUMENT NO. SD-47362-100 SHEET NO. 2 OF 4
	DRAFT WHERE APPLICABLE MUST REMAIN WITHIN DIMENSIONS	SEE SHEET 4	THIS DRAWING CONTAINS INFORMATION THAT IS PROPRIETARY TO MOLEX INCORPORATED AND SHOULD NOT BE USED WITHOUT WRITTEN PERMISSION		

9 8 7 6 5 4 3 2 1

10 9 8 7 6 5 4 3 2 1

F

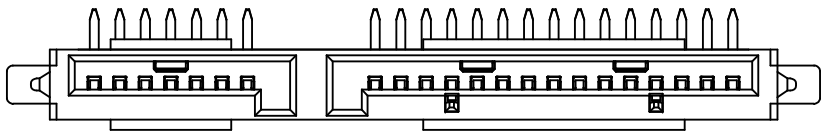
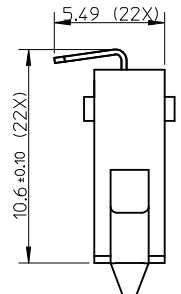
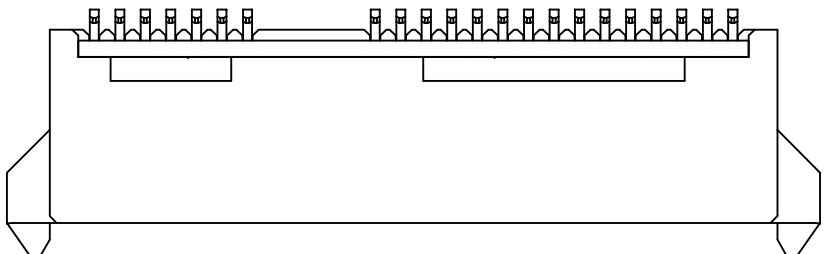
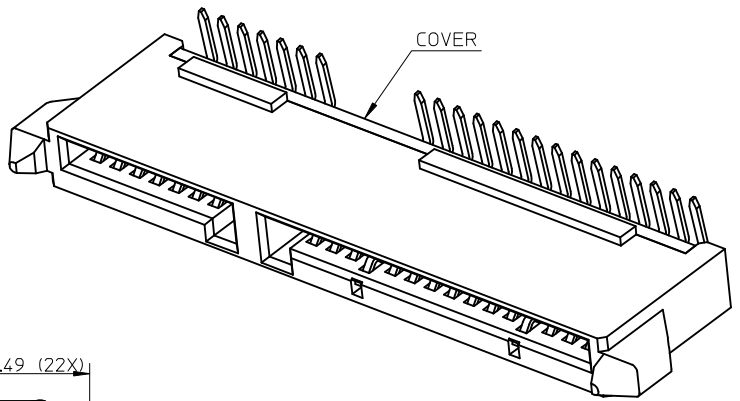
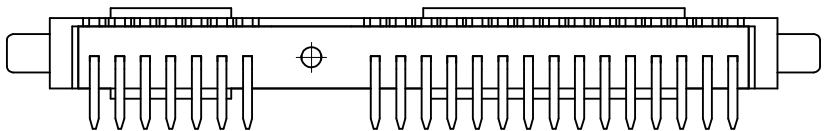
E

D

C

B

A



RIGHT ANGLE 270 DEGREE TYPE  
OTHER DIMENSIONS REFER TO RIGHT ANGLE 90 DEGREE TYPE

SEE SHEET 1 IEC NO: SH2011-0156 DRWN: XZHUANG CHKD: GLLI APPR: XJSONG	2010/12/13 2010/12/14 2010/12/14	DESCRIPTION REV	QUALITY SYMBOLS	GENERAL TOLERANCES (UNLESS SPECIFIED)		DIMENSION STYLE MM ONLY		SCALE 4:1	DESIGN UNITS METRIC	THIRD ANGLE PROJECTION		
			$F_{\square} = 0$	mm	INCH	DRAWN BY BCHEN26	DATE 2005/12/05	TITLE COMBO SATA RECEPTACLE CABLE END				
			$F_{\square} = 0$	4 PLACES ± ---	± ---	CHECKED BY DIXON	DATE 2005/12/05	MATERIAL NO. SD-47362-100				
			$F_{\square} = 0$	3 PLACES ± ---	± ---	APPROVED BY GRATE	DATE 2005/12/05	DOCUMENT NO. SD-47362-100				
				2 PLACES ± 0.20	± ---	SEE SHEET 4		MOLEX INCORPORATED		SHEET NO. 3 OF 4		
				1 PLACE ± 0.25	± ---							
				ANGULAR ± 3 °								
				DRAFT WHERE APPLICABLE MUST REMAIN WITHIN DIMENSIONS								
						THIS DRAWING CONTAINS INFORMATION THAT IS PROPRIETARY TO MOLEX INCORPORATED AND SHOULD NOT BE USED WITHOUT WRITTEN PERMISSION						

9 8 7 6 5 4 3 2 1

F

E

D

C

B

A

P/N	CONTACT AREA PLATING	REMARK	TYPE	DESCRIPTION	
47362-1003	0.38 MICRONS MIN. GOLD PLATING	WITH ARRIS ON BOTH SURFACE WITHOUT BUMPS	STRAIGHT TYPE	WITH HALOGEN	
47362-3032	0.38 MICRONS MIN. GOLD PLATING	WITHOUT ARRIS	RIGHT ANGLE TYPE 270 DEGREE		
47362-3031	0.76 MICRONS MIN. GOLD PLATING	WITH BUMPS, WITH COVER			
47362-3030	GOLD FLASH				
47362-3022	0.38 MICRONS MIN. GOLD PLATING	WITH ARRIS ON BOTTOM SURFACE			
47362-3021	0.76 MICRONS MIN. GOLD PLATING	WITH BUMPS, WITH COVER			
47362-3020	GOLD FLASH				
47362-3012	0.38 MICRONS MIN. GOLD PLATING	WITH ARRIS ON TOP SURFACE			
47362-3011	0.76 MICRONS MIN. GOLD PLATING	WITH BUMPS, WITH COVER			
47362-3010	GOLD FLASH				
47362-3002	0.38 MICRONS MIN. GOLD PLATING	WITH ARRIS ON BOTH SURFACE			
47362-3001	0.76 MICRONS MIN. GOLD PLATING	WITH BUMPS, WITH COVER			
47362-3000	GOLD FLASH				
47362-2032	0.38 MICRONS MIN. GOLD PLATING	WITHOUT ARRIS			RIGHT ANGLE TYPE 90 DEGREE
47362-2031	0.76 MICRONS MIN. GOLD PLATING	WITH BUMPS, WITH COVER			
47362-2030	GOLD FLASH				
47362-2022	0.38 MICRONS MIN. GOLD PLATING	WITH ARRIS ON BOTTOM SURFACE			
47362-2021	0.76 MICRONS MIN. GOLD PLATING	WITH BUMPS, WITH COVER			
47362-2020	GOLD FLASH				
47362-2012	0.38 MICRONS MIN. GOLD PLATING	WITH ARRIS ON TOP SURFACE			
47362-2011	0.76 MICRONS MIN. GOLD PLATING	WITH BUMPS, WITH COVER			
47362-2010	GOLD FLASH				
47362-2002	0.38 MICRONS MIN. GOLD PLATING	WITH ARRIS ON BOTH SURFACE			
47362-2001	0.76 MICRONS MIN. GOLD PLATING	WITH BUMPS, WITH COVER			
47362-2000	GOLD FLASH				
47362-1032	0.38 MICRONS MIN. GOLD PLATING	WITHOUT ARRIS	STRAIGHT TYPE		
47362-1031	0.76 MICRONS MIN. GOLD PLATING	WITH BUMPS			
47362-1030	GOLD FLASH				
47362-1022	0.38 MICRONS MIN. GOLD PLATING	WITH ARRIS ON BOTTOM SURFACE			
47362-1021	0.76 MICRONS MIN. GOLD PLATING	WITH BUMPS			
47362-1020	GOLD FLASH				
47362-1012	0.38 MICRONS MIN. GOLD PLATING	WITH ARRIS ON TOP SURFACE			
47362-1011	0.76 MICRONS MIN. GOLD PLATING	WITH BUMPS			
47362-1010	GOLD FLASH				
47362-1002	0.38 MICRONS MIN. GOLD PLATING	WITH ARRIS ON BOTH SURFACE			
47362-1001	0.76 MICRONS MIN. GOLD PLATING	WITH BUMPS			
47362-1000	GOLD FLASH				

P/N	CONTACT AREA PLATING	REMARK	TYPE	DESCRIPTION
47362-1082	0.38 MICRONS MIN. GOLD PLATING	WITH ARRIS ON BOTH SURFACE WITH BUMPS	STRAIGHT TYPE	HALOGEN FREE

SEE SHEET 1 EC NO: SH2011-0156 DRWN:XQZHANG 2010/12/13 CHKD:GLLI 2010/12/14 APPR:XJSONG 2010/12/14	QUALITY SYMBOLS
	$\nabla_A = 0$
	$\nabla_G = 0$
	$\nabla_P = 0$
J	REV DESCRIPTION

GENERAL TOLERANCES (UNLESS SPECIFIED)	
	mm INCH
4 PLACES	$\pm$ --- $\pm$ ---
3 PLACES	$\pm$ --- $\pm$ ---
2 PLACES	$\pm$ 0.20 $\pm$ ---
1 PLACE	$\pm$ 0.25 $\pm$ ---
ANGULAR $\pm$ 3 °	
DRAFT WHERE APPLICABLE MUST REMAIN WITHIN DIMENSIONS	

DIMENSION STYLE	
MM ONLY	
DRAWN BY	DATE
BCHEN26	2005/12/05
CHECKED BY	DATE
DIXON	2005/12/05
APPROVED BY	DATE
GRATE	2005/12/05
MATERIAL NO.	
SEE TABLE	
SIZE	A3

SCALE	4:1
DESIGN UNITS	METRIC
THIRD ANGLE PROJECTION	
TITLE	
COMBO SATA RECEPTACLE CABLE END	
MOLEX INCORPORATED	
MATERIAL NO.	SD-47362-100
DOCUMENT NO.	
SHEET NO.	4 OF 4
THIS DRAWING CONTAINS INFORMATION THAT IS PROPRIETARY TO MOLEX INCORPORATED AND SHOULD NOT BE USED WITHOUT WRITTEN PERMISSION	