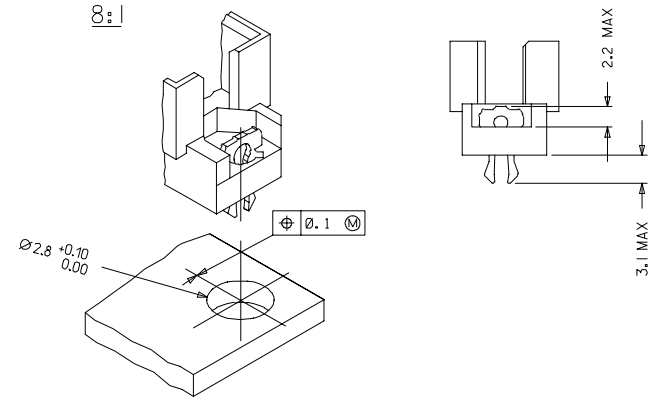
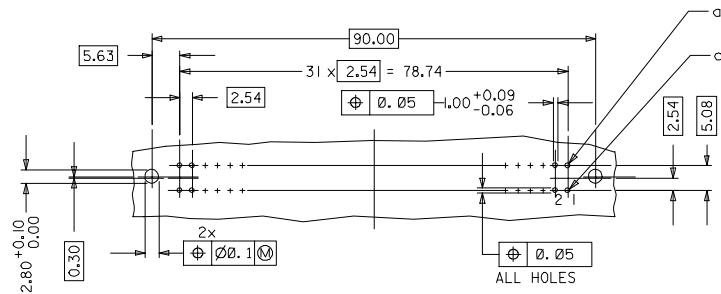


WITH MOUNTING CLIPS



- NOTES:
- 1) MATERIALS: THERMOPLASTIC POLYESTER, GLASS FILLED, UL94-V0  
 COLOUR: PEBBLE GREY RAL 7032  
 TERMINAL - PHOSPHOR BRONZE  
 MOUNTING CLIP: STEEL
  - 2) FINISH: TERMINAL:-  
 CONTACT AREA :  
 PERFORMANCE LEVEL 2: SELECTIVE GOLD (Au), THICKNESS = 0.6 MICROMETER  
 OVER NICKEL, THICKNESS = 1.25 MICROMETER MIN  
 PRESS-IN AREA :  
 Au FLASH  
 OVER NICKEL, THICKNESS = 1.25 MICROMETER MIN OVERALL  
 WIRE WRAP AREA :  
 PERFORMANCE LEVEL 2: SELECTIVE GOLD (Au), THICKNESS = 0.6 MICROMETER  
 OVER NICKEL, THICKNESS = 1.25 MICROMETER MIN
  - 3) MOUNTING CLIP:-  
 TIN (Sn), THICKNESS = 5-10 MICROMETER,  
 OVER NICKEL (Ni), THICKNESS = 2.5 MICROMETER
  - 4) FOR NON MOUNTING CLIP OPTION, CONNECTOR TO BE SECURED WITH  
 RIVETS: 2 TUBULAR RIVETS 2.5 x 0.3 ... DIN 7340  
 SCREWS: 2 CHEESEHEAD SCREWS M2.5 x ... DIN 84 AND 2 HEXAGONAL NUTS M2.5 DIN 934
  - 5) MATERIAL NUMBER, BATCH CODE, UL AND CSA MARKING  
 TO BE PRINTED ON THE CONNECTOR
  - 6) CUT FACE OF TIP WITHOUT PLATING PERMITTED
  - 7) PRODUCT SPECIFICATION PS : 36515-001

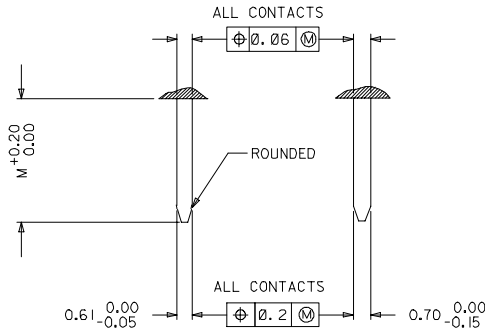
RECOMMENDED PCB LAYOUT  
COMPONENT SIDE



EC No: P2007-0044 DRWNSATTI/MARAD 2006/10/10 CHK/ROSSDHR 2006/10/11 APPR/SSDHR 2006/10/10	QUALITY SYMBOLS ▽=0 ▽=0	GENERAL TOLERANCES (UNLESS SPECIFIED)		DIMENSION STYLE MM ONLY		SCALE 2:1	DESIGN UNITS METRIC	THIRD ANGLE PROJECTION	
		4 PLACES ± 0.15 ± ---	3 PLACES ± 0.05 ± ---	2 PLACES ± 0.1 ± ---	1 PLACE ± 0.15 ± ---	DRAWN BY NS	DATE 2001/12/03	ASSEMBLY, DIN 41612,	
C1	DESCRIPTION	DRAFT WHERE APPLICABLE MUST REMAIN WITHIN DIMENSIONS		DIMENSION STYLE SEE CHART		PRESS-IN, WIRE WRAP			
		MATERIAL NO. SD-36515-028		DOCUMENT NO. MOLEX INCORPORATED		SHEET NO. 1 OF 2			

MATERIAL No.	PERF LEVEL	FINISH		CONTACT SEQUENCE/ROW	DIM "L" MM	MOUNTING CLIP	PREMATING CONTACT
36515-0489	2	Au + Ni	Au + Ni	1.2.3...32 a+c	13.25	NO	NO

DETAILY      DETAILX



PRE MATING CONTACTS	5.4
NORMAL CONTACTS	4.8
	M

RoHS COMPLIANT

EC No: 2007-0044 DRAWING: 2006/10/10 CHKD: 2006/10/11 APPR: 2006/10/10	QUALITY SYMBOLS	GENERAL TOLERANCES (UNLESS SPECIFIED)	DIMENSION STYLE	SCALE	DESIGN UNITS	THIRD ANGLE PROJECTION
	▽=0	4 PLACES ± 0.05	MM ONLY	2:1	METRIC	ASSEMBLY, DIN 41612,
	▽=0	3 PLACES ± 0.1	DRAWN BY	DATE	TITLE	PRESS-IN, WIRE WRAP
		2 PLACES ± 0.15	NS	2001/12/03		
	1 PLACE ± 0.15	ANGULAR ± 2°	CHECKED BY	DATE		
			G.J. LOWE	2001/12/03		
			APPROVED BY	DATE		
			G.J. LOWE	2001/12/03		
			MATERIAL NO.	DOCUMENT NO.		
			SEE CHART	SD-36515-028		
			THIS DRAWING CONTAINS INFORMATION THAT IS PROPRIETARY TO MOLEX INCORPORATED AND SHOULD NOT BE USED WITHOUT WRITTEN PERMISSION			