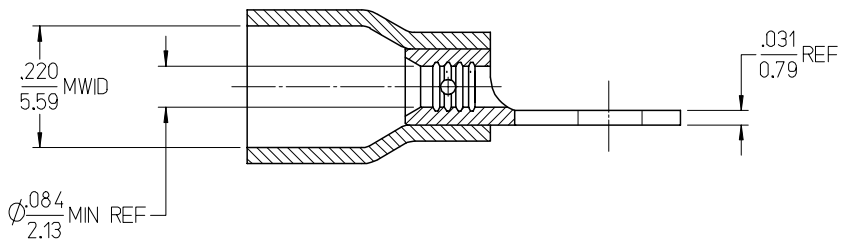
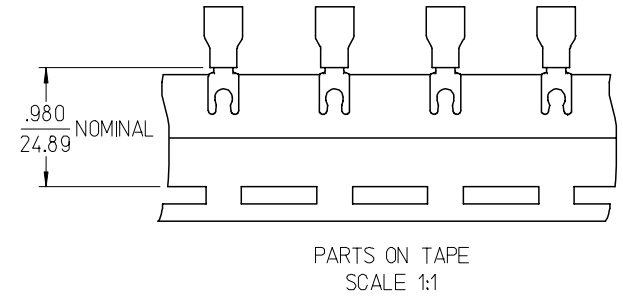
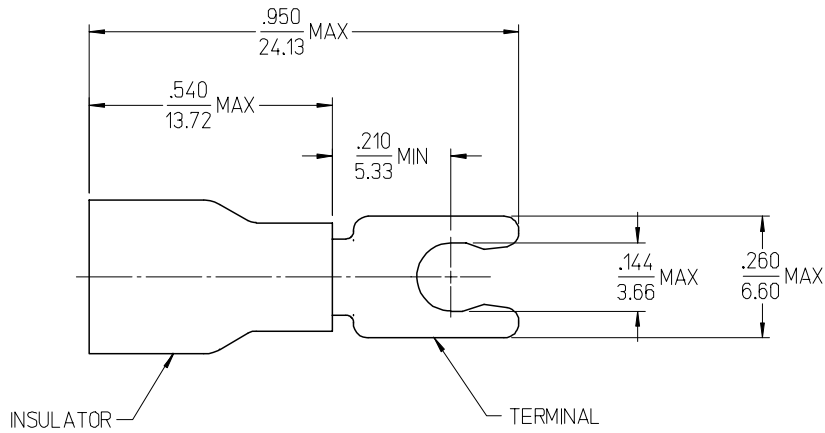


10	9	8	7	6	5	4	3	2	1	
MATERIAL NO. LOOSE PC	ENGINEERING NO. LOOSE PC	MATERIAL NO. ON TAPE	ENGINEERING NO. ON TAPE	WIRE SIZE	STUD SIZE	INSULATOR COLOR				
190990077	BB-2707-06XX	190990029	BB-2707-06XXT	16-14 AWG	6	BLUE				



- NOTES:
1. TERMINAL MATERIAL: COPPER
 2. TERMINAL FINISH: TIN PLATED
 3. INSULATOR MATERIAL: PVC
 4. MWID = MAXIMUM WIRE INSULATION DIAMETER.
 5. ASSEMBLY IS ROHS COMPLIANT.

INITIAL RELEASE
EC NO: ETC2007-0317
DRW: EHL
CHKD: JMACNEIL
APPR: JMACNEIL

REV	DESCRIPTION
A	

QUALITY SYMBOLS	
	=0
	=0
DRAFT WHERE APPLICABLE MUST REMAIN WITHIN DIMENSIONS	

GENERAL TOLERANCES (UNLESS SPECIFIED)	
	INCH
4 PLACES	± .005
3 PLACES	± .004
2 PLACES	± .003
1 PLACE	± .002
ANGULAR ± .005°	

DIMENSION STYLE IN/MM	SCALE 4:1	DESIGN UNITS INCH	THIRD ANGLE PROJECTION
DRAWN BY EHILE	DATE 2007/02/26	TITLE SNAP SPADE TERMINAL, 16-14 AWG, INSULKRIMP, EXPANDED	
CHECKED BY JMACNEIL	DATE 2007/02/26	APPROVED BY JMACNEIL	
MATERIAL NO. SEE CHART		DOCUMENT NO. SD-19099-002	SHEET NO. 1 OF 1
THIS DRAWING CONTAINS INFORMATION THAT IS PROPRIETARY TO MOLEX INCORPORATED AND SHOULD NOT BE USED WITHOUT WRITTEN PERMISSION			