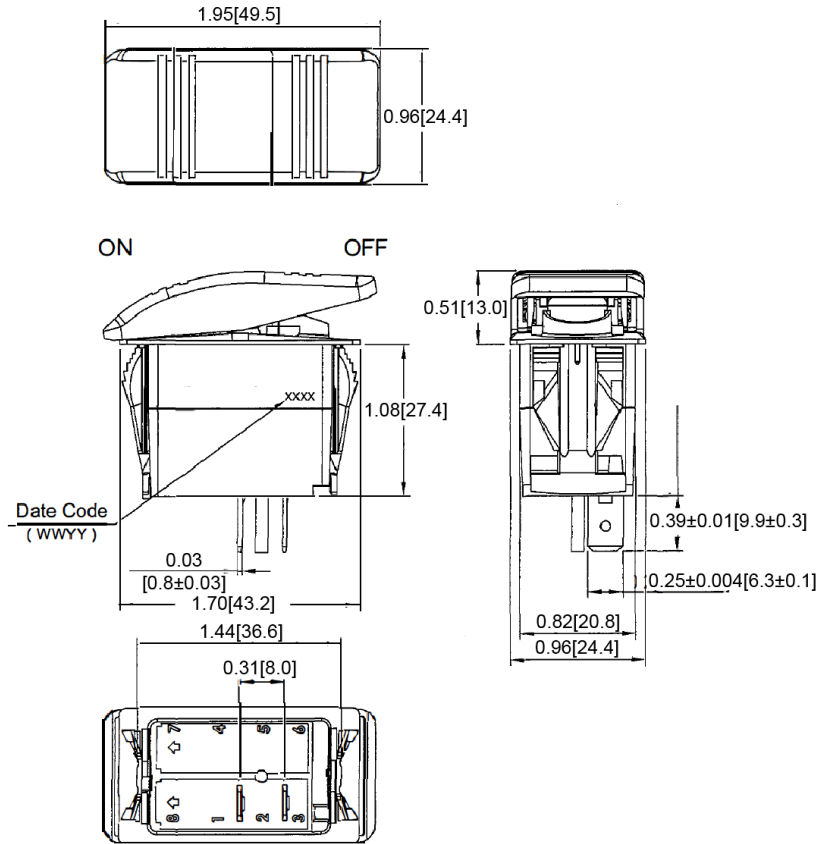
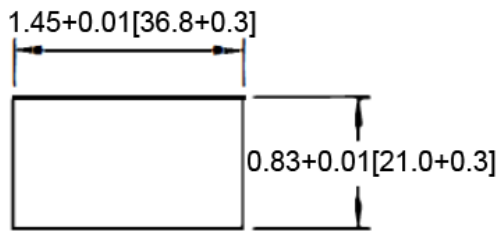


Mechanical Dimensions: Inches [mm]

Tolerances ± 0.012 [0.3] Unless Otherwise Specified



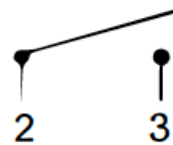
Mounting Hole



Thickness: 0.04-0.20[1.0-5.0]max

Circuit Diagram

2P SPST ON-OFF



Electrical Specifications

Rating	20A 125V AC 1/3HP, 10A 250V AC 3/4HP
Contact Resistance	50m ohm Max.
Insulation Resistance	DC 500V 100M ohm Min.
Dielectric Strength	AC 1500V 1 minute
Operation Temperature	-25°C~85°C

Material Specifications

Frame Actuator	Black Nylon 66 (94V-2)
Terminals	Silver plated copper
Waterproof	IP56

Rev **Date of issue** **Revision Notes**

Designed **Approved**

B	03-09-2020	Initial Drawing	RC	OF
---	------------	-----------------	----	----