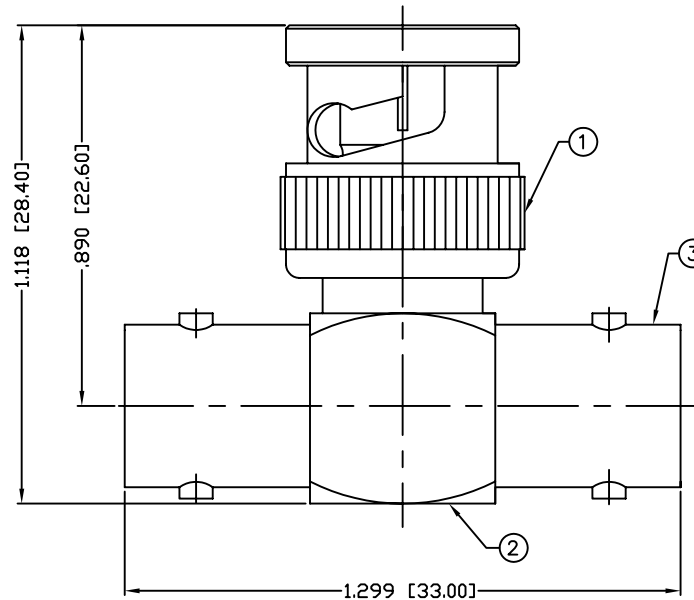


THIS DRAWING CONTAINS INFORMATION PROPRIETARY TO RF INDUSTRIES,  
 ANY UNAUTHORIZED USE OF THIS DRAWING IS EXPRESSLY PROHIBITED  
 WITHOUT WRITTEN PERMISSION FROM RF INDUSTRIES.  
 ANY VIOLATION IS PUNISHABLE UNDER U.S. COPYRIGHT LAWS.

ALL DIMENSIONS ARE REFERENCE ONLY

PART NO.		<b>RFB-1730</b>		
REV	DESCRIPTION	DWN	DATE	APPROVED
-	ENGINEERING RELEASE	GGG	2/15/02	JDMc



**SPECIFICATIONS:**

IMPEDANCE: 75 Ohms  
 FREQUENCY RANGE: 0-1 GHz  
 WORKING VOLTAGE: 500 V rms max. @ sea level  
 TEMPERATURE RANGE: -65°C TO 85°C  
 INSULATION RESISTANCE: 5k M Ohms min.

1	SHELL	1	BRASS	NICKEL, 100μ"	008974	
2	BODY	1	BRASS	NICKEL, 100μ"		
3	PRESS BODY	2	BRASS	NICKEL, 100μ"		
4	INSULATOR	2	PTFE	----		
5	CONTACT	1	PHOS BRONZE	GOLD, 30μ"		
6	INSULATOR	1	PTFE	----		
7	PIN	1	BRASS	GOLD, 30μ"		
8	GASKET	1	RUBBER	----		
9	RETAINING RING	1	BRASS	NICKEL, 100μ"		
10	SPRING	2	SK5	NICKEL, 200μ"	DRAWN	
11	WASHER	1	BRASS	NICKEL, 100μ"	G. GALLEGOS	
12	SLEEVE	1	DELTRIN	----	2/15/02	
13					CHECKED	
14					ORJ DRAWN	
					G. GALLEGOS	
					2/15/02	
#	DESCRIPTION	QTY	MATERIAL	FINISH	APPROVALS	DATE

UNLESS OTHERWISE SPECIFIED:  
 1. REMOVE ALL BURRS  
 2. BREAK ALL CORNERS & EDGES .005 R. MAX.  
 3. CHAMFER 1ST & LAST THREADS 45°  
 4. SURFACE ROUGHNESS 63 FINISH MIL-STD-10  
 5. DIAMETERS ON COMMON CENTERS TO BE CONCENTRIC WITHIN .002 T.I.R.  
 6. ALL DIMENSIONS ARE AFTER PLATING.

DIMENSIONS ARE IN INCHES AND [MILLIMETERS]  
 UNLESS OTHERWISE NOTED TOLERANCES ARE:  
 DECIMALS      DIAMETER  
 .xxx±.003 [.08]      .xxx±.001 [.03]  
 .xx±.005 [.13]      .xx±.003 [.08]

**RF connectors**  
 DIVISION OF RF INDUSTRIES, LTD.  
 7610 MIRAMAR RD  
 SAN DIEGO, CA 92126  
 (858) 549-6340  
 (858) 549-6345 FAX

**BNC PLUG TO DOUBLE BNC JACK, T ADAPTER**

SIZE	CABLE GROUP	DWG NO.	REV
A	N/A	RFB-1730	-
SCALE: NTS		CAD FILE	OUTLINE
		SHEET 1 OF 1	