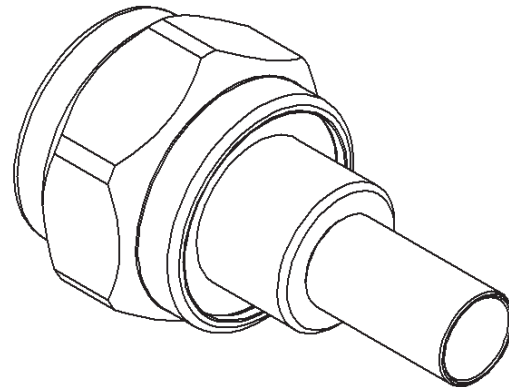
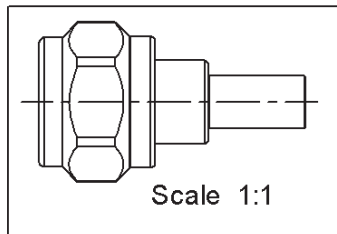
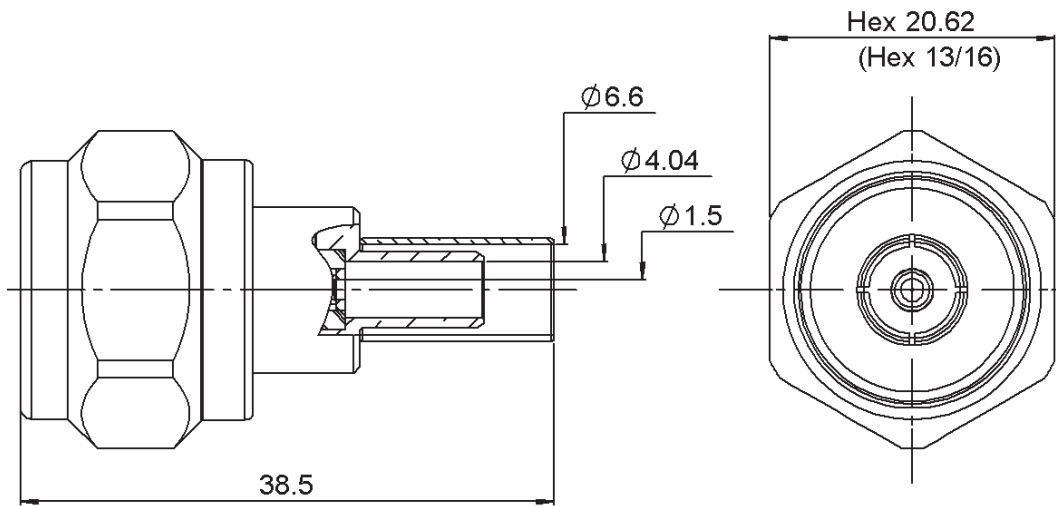
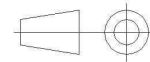


PAGE 1/2	ISSUE 1405 B	SERIES N	PART NUMBER R161075030
----------	--------------	----------	-------------------------------



All dimensions are in mm.



COMPONENTS	MATERIALS	PLATING (µm)
Body	BRASS	BBR 2
Center contact	BRASS	GOLD 0.8 OVER NICKEL 2
Outer contact	BRASS	BBR 2
Insulator	PTFE	
Gasket	ELASTOMERE SILICONE	
Others parts	BRASS	BBR 2
-	-	-
-	-	-

PAGE 2/2	ISSUE 1405 B	SERIES N	PART NUMBER R161075030
----------	--------------	----------	-------------------------------

PACKAGING

Standard	Unit	Other
50	Contact us	Contact us

ELECTRICAL CHARACTERISTICS

Impedance	50	Ω
Frequency	0-11	GHz
VSWR	1.3 + 0.0000	x F(GHz) Maxi
Insertion loss	0.048	√F(GHz) dB Maxi
RF leakage	NA	- F(GHz) dB Maxi
Voltage rating	850	Veff Maxi
Dielectric withstanding voltage	1500	Veff mini
Insulation resistance	5000	MΩ mini

MECHANICAL CHARACTERISTICS

Center contact retention		
Axial force – Mating End	27	N mini
Axial force – Opposite end	27	N mini
Torque	NA	N.cm mini
Recommended torque		
Mating	130	N.cm
Panel nut	NA	N.cm
Clamp nut	450	N.cm
A/F clamp nut	11.0000	mm
Mating life	500	Cycles mini
Weight	31.1900	g

ENVIRONMENTAL

Operating temperature	-55/+155	°C
Hermetic seal	NA	Atm.cm3/s
Panel leakage	NA	

SPECIFICATION

CABLE ASSEMBLY

Stripping	a	b	c	d	e	f
mm	5.2	10.3	16.8	0	11.6	0

Assembly instruction: **Crimp 02***

Recommended cable(s)

LMR 240
AEP-240FR

Characteristics indicated on this data sheet are those that can be achieved with the highest performance cable. Intrinsic limitations of the cable may diminish the performance of the assembly

Cable retention

- pull off	300	N mini
- torque	NA	N.cm

TOOLING

Part Number	Description	Hexagon
R282223000	CRIMPING TOOL	1.73, 6.48
R282235013	CRIMPING DIES	1.73, 6.48
R282293000	CRIMPING TOOL M22520/5-01	

OTHER CHARACTERISTICS

***prior to step two of Crimp 02, slide disk insulator onto center conductor, and bottom contact on disk insulator**