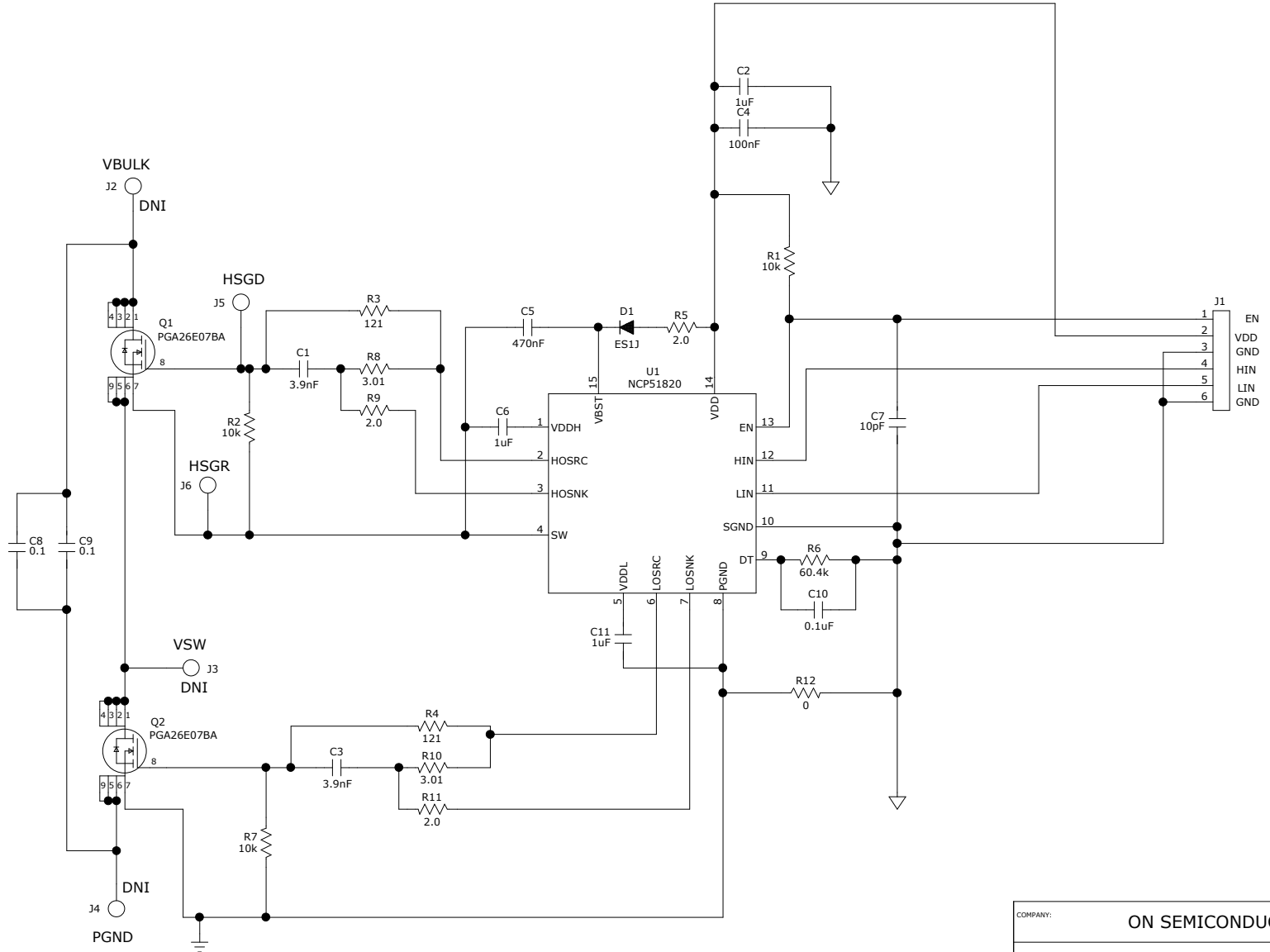


LOG1
ON
UN.1000

REVISION RECORD			
LTR	ECO NO:	APPROVED:	DATE:



COMPANY: ON SEMICONDUCTOR

TITLE: GaN HB EVB Panasonic PGA26E07BA

DRAWN: M Pantanella	DATED: 11/12/18
CHECKED:	DATED:
QUALITY CONTROL:	DATED:
RELEASED:	DATED:

CODE:	SIZE: C	DRAWING NO:	REV: 1.0
SCALE:			SHEET: 1 of 1