

Customer Information Sheet

DRAWING No.: M80-904XX02

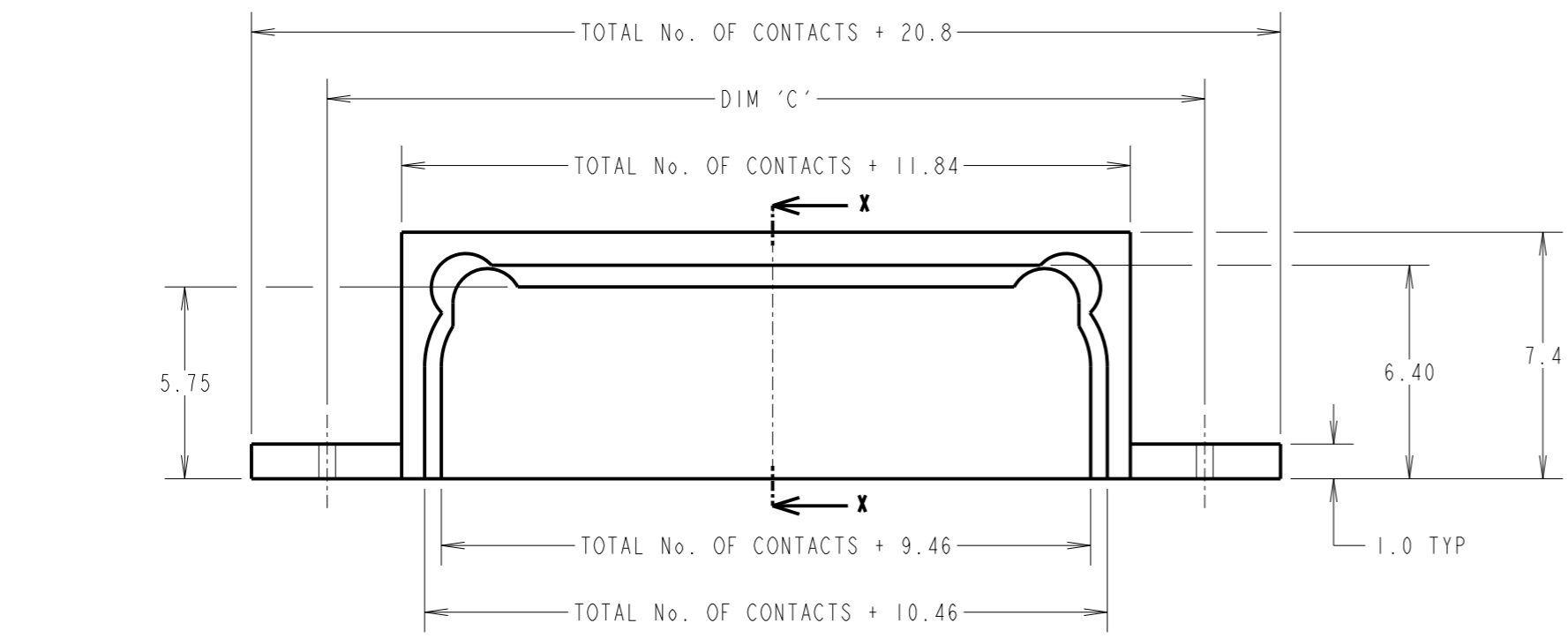
IF IN DOUBT - ASK

©

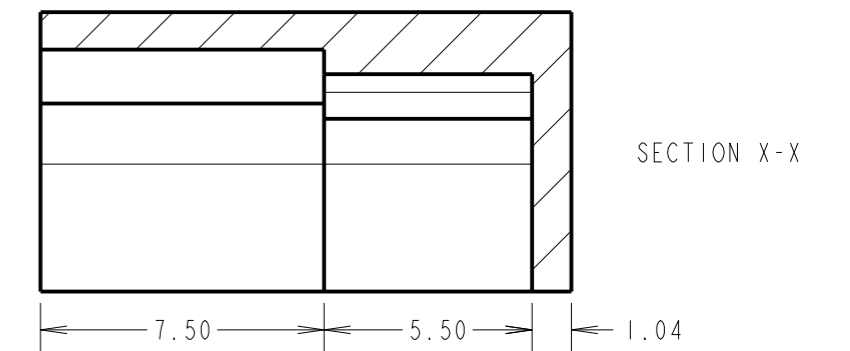
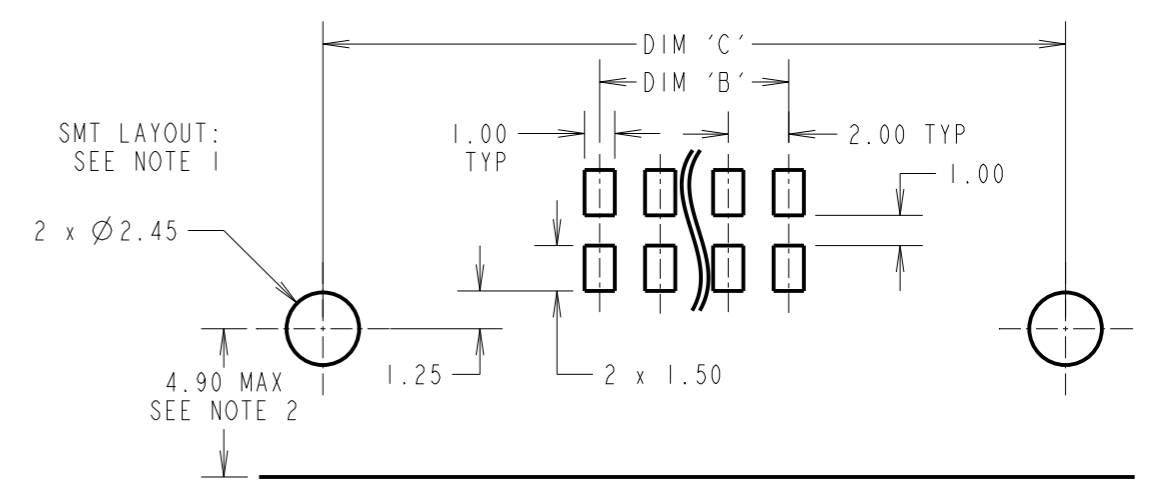
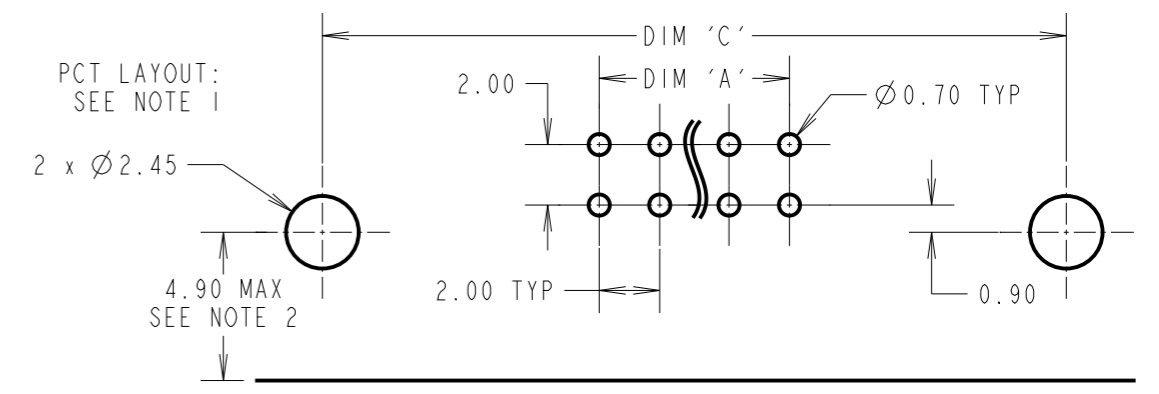
NOT TO SCALE

THIRD ANGLE PROJECTION

ALL DIMENSIONS IN mm



RECOMMENDED PCB LAYOUT (TOLERANCE ± 0.05)



- NOTES:
- ALL PCB LAYOUTS DRAWN WITH MATING FACE BELOW PINS/PADS. LAYOUTS ONLY FOR BACKSHELL MOUNTING, FOR CONNECTOR PCB LAYOUT SEE COMPONENT DRAWING.
 - MAXIMUM DISTANCE FROM EDGE OF BOARD WHEN PAIRING WITH SHIELDED CABLE.
 - MOUNTING HARDWARE NOT PROVIDED, M2 FIXINGS WITH 4.5mm MAX BOLT HEAD DIAMETER RECOMMENDED. BOLT FROM ABOVE.

DIMENSION	CALCULATION
DIM 'A'	TOTAL No. OF CONTACTS - 2
DIM 'B'	TOTAL No. OF CONTACTS - 2
DIM 'C'	TOTAL No. OF CONTACTS + 16.3

ORDER CODE:
M80-904XX02
 TOTAL No. OF CONTACTS _____
 04 - 50
 EVEN NUMBERS ONLY

RA	3	08.02.22	31335
NAME	ISS.	DATE	CN/CO
APPROVED: R.ALEXANDER			
CHECKED: M.RUDKIN			
DRAWN: R.ALEXANDER			
CUSTOMER REF.:			
ASSEMBLY DRG:			

SPECIFICATIONS:
 MATERIAL = ALUMINIUM ALLOY
 FINISH = ELECTROLESS NICKEL
 ENVIRONMENTAL:
 TEMPERATURE RANGE = -55°C TO +125°C



THIS DRAWING AND ANY INFORMATION OR DESCRIPTIVE MATTER SET OUT HEREON ARE CONFIDENTIAL AND COPYRIGHT PROPERTY OF THE HARWIN GROUP AND MUST NOT BE DISCLOSED, LOANED, COPIED OR USED FOR MANUFACTURING, TENDERING OR FOR ANY OTHER PURPOSE WITHOUT THEIR WRITTEN PERMISSION.

TOLERANCES
 X. = ±1mm
 X.X = ±0.50mm
 X.XX = ±0.20mm
 X.XXX = ±0.01mm
 ANGLES = ±5°
 UNLESS STATED

MATERIAL:
 SEE ABOVE
 FINISH: SEE ABOVE
 S/AREA: mm²

TITLE:
 DATAMATE J-TEK MALE HORIZONTAL
 SMT BOARD MOUNT BACKSHELL
 DRAWING NUMBER:
M80-904XX02
 SHT 5 OF 5