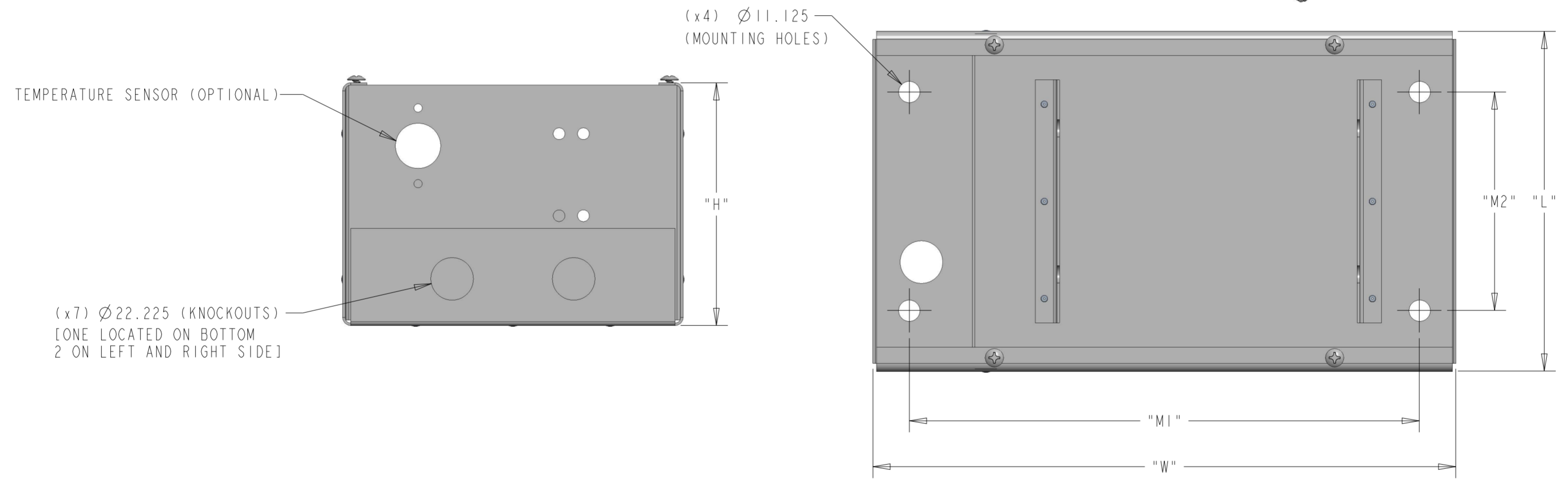
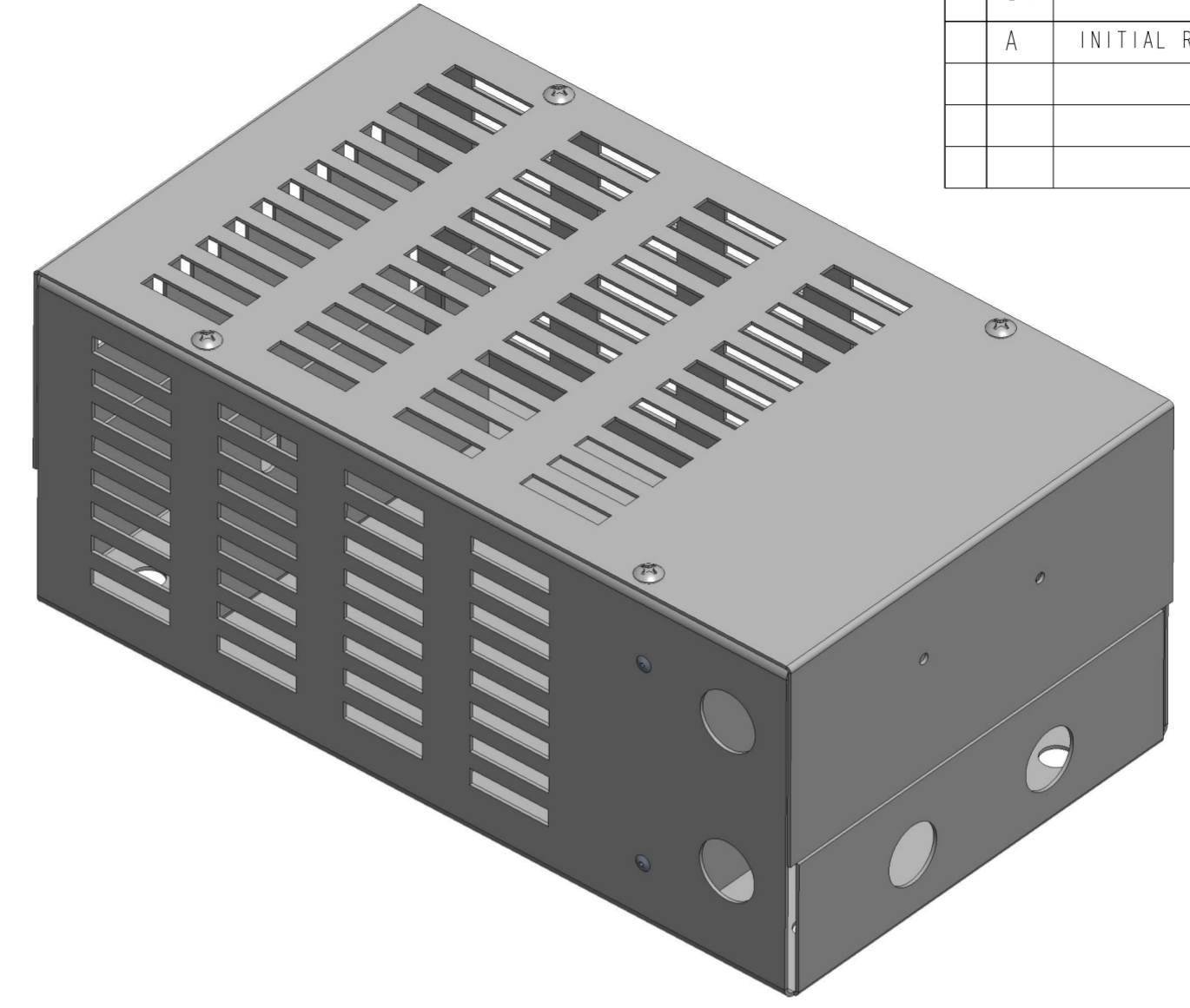
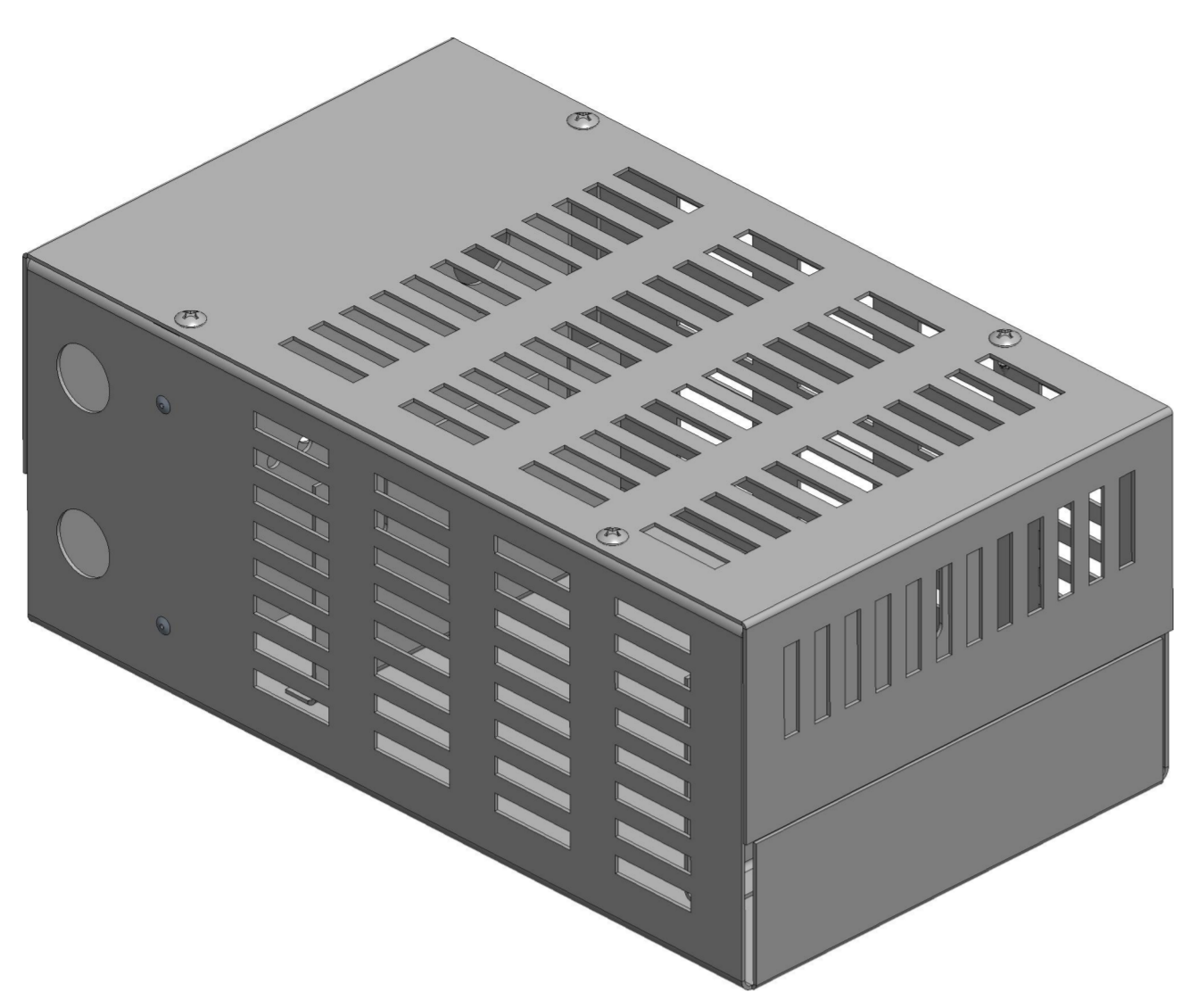


REVISIONS				
P	LTR	DESCRIPTION	DATE	APVD
A		INITIAL RELEASE	07OCT2021	KS AP

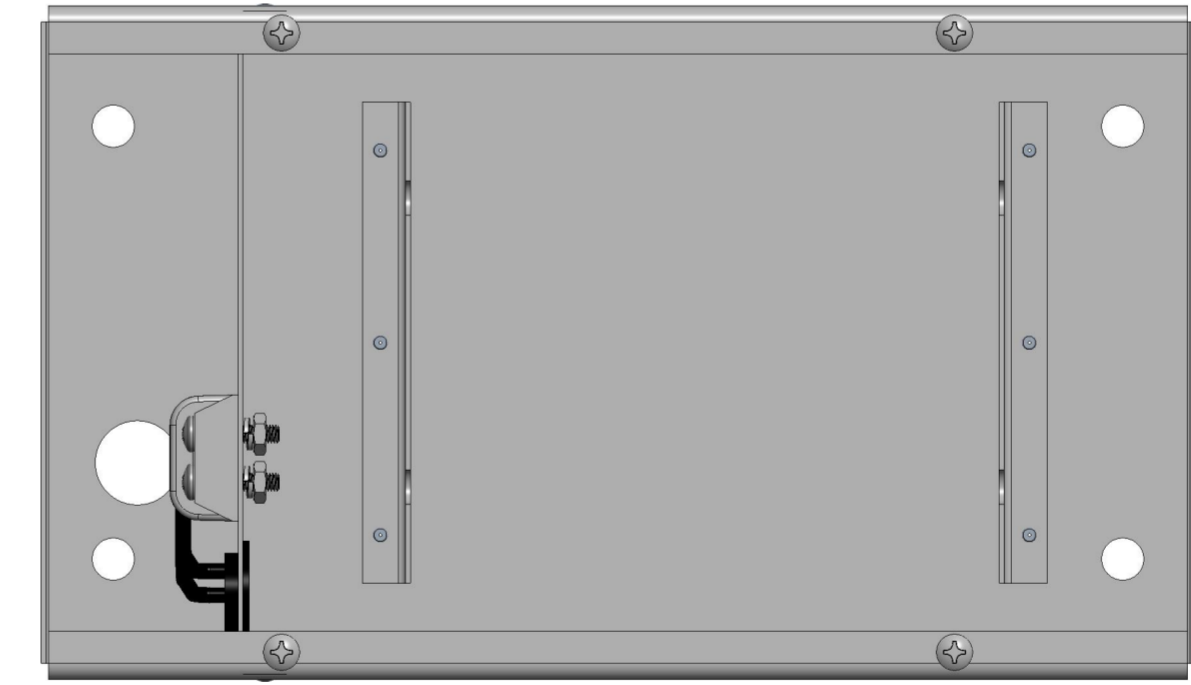
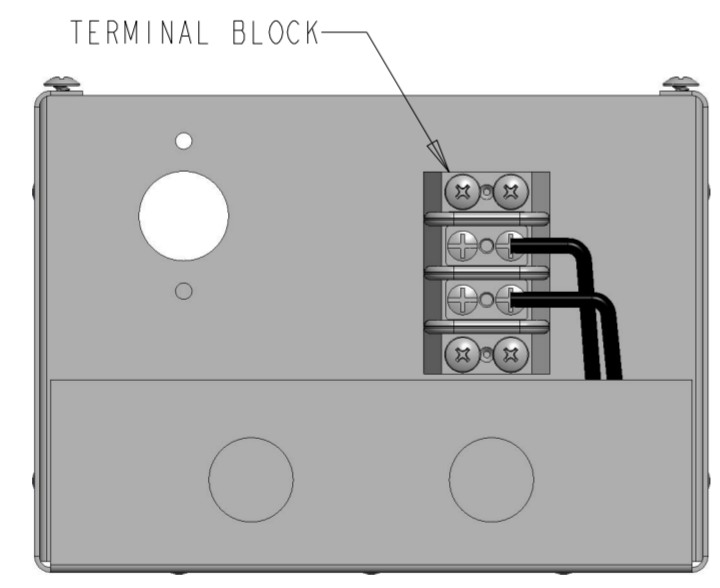
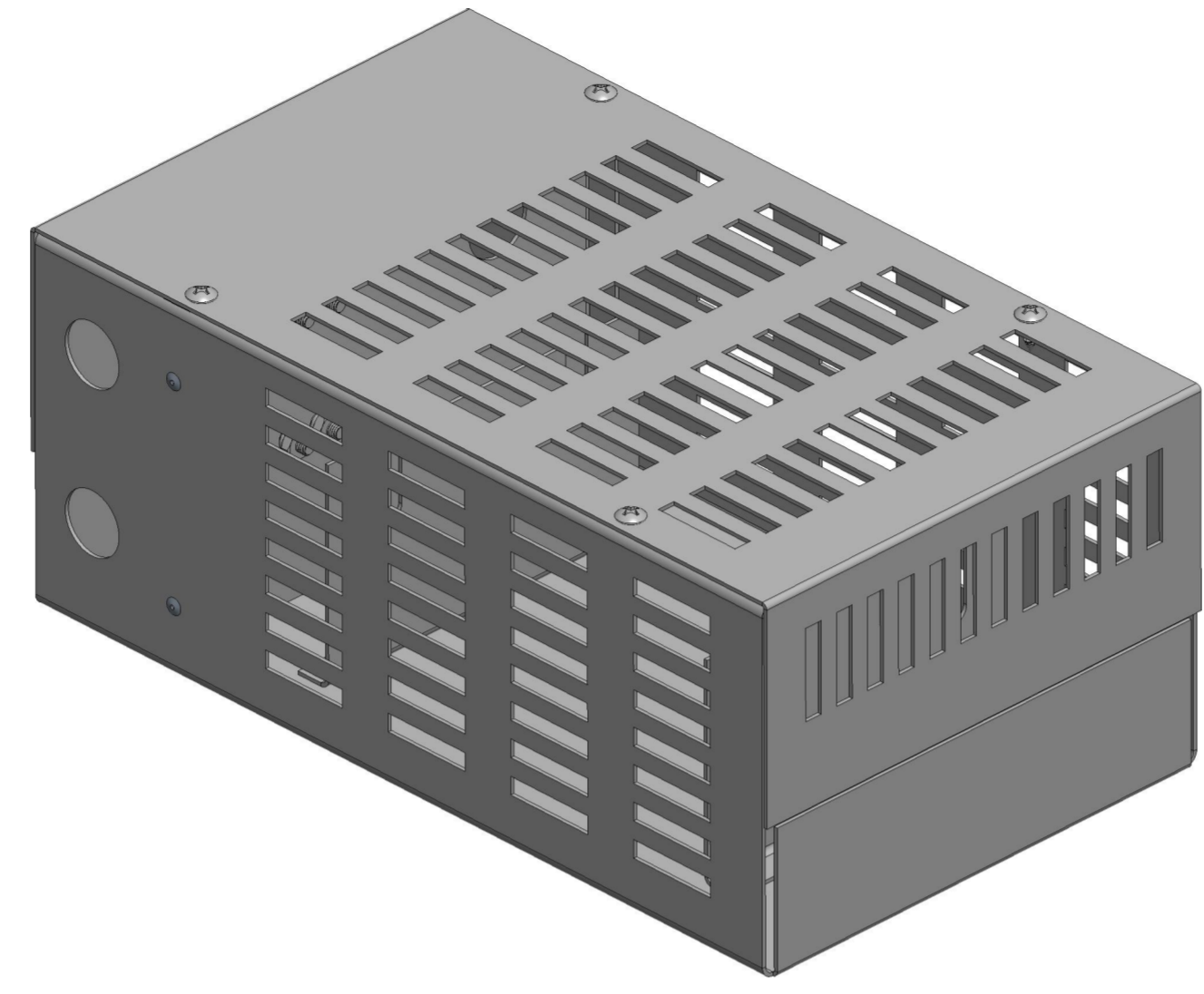



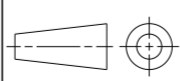
PART NUMBER	W (mm)	L (mm)	H (mm)	M1 (mm)	M2 (mm)	TOTAL RESISTANCE	H.P.	DUTY CYCLE	DRIVE VOLTAGE	BRAKING TORQUE
HPBA010C750R050E	305	178	127	267	114	750 Ohms ± 10%	1.00	50%	460 V	100%

NOTE:  
1. FOR FURTHER TECHNICAL INFORMATION PLEASE SEE THE DATASHEET FOR THE HPBA SERIES

THIS DRAWING IS A CONTROLLED DOCUMENT.		DWN S. KARTHIK 14-09-2021	TE Connectivity	
DIMENSIONS: mm		CHK ALLAN PILE 14-09-2021		
TOLERANCES UNLESS OTHERWISE SPECIFIED:		APVD ALLAN PILE 14-09-2021	NAME BRAKING RESISTOR ASSEMBLY TYPE HPBA SERIES HPBA010C750R050E	
0 PLC ± 1 PLC ± 2 PLC ±0.50 3 PLC ±0.500 4 PLC ± ANGLES ± FINISH -		PRODUCT SPEC -	SIZE A2	CAGE CODE 00779
MATERIAL -		APPLICATION SPEC -	DRAWING NO C-2-2176470-3	RESTRICTED TO -
		WEIGHT -	SCALE 1:2	SHEET 1 OF 2
		CUSTOMER DRAWING	REV A	

REVISIONS					
P	LTR	DESCRIPTION	DATE	DWN	APVD
-		SEE SHEET 1	-	-	-



THIS DRAWING IS A CONTROLLED DOCUMENT.		DWN S. KARTHIK	4-09-2021	 TE Connectivity	
DIMENSIONS: mm		CHK ALLAN PILE	4-09-2021		
		APVD ALLAN PILE	4-09-2021		
TOLERANCES UNLESS OTHERWISE SPECIFIED:		PRODUCT SPEC		NAME BRAKING RESISTOR ASSEMBLY TYPE HPBA SERIES HPBA010C750R050E	
0 PLC ±-		APPLICATION SPEC		SIZE A2	
1 PLC ±-		WEIGHT		CAGE CODE 00779	
2 PLC ±0.50		CUSTOMER DRAWING		DRAWING NO C-2-2176470-3	
3 PLC ±0.500		SCALE 1:2		SHEET 2 OF 2	
4 PLC ±-		SHEET 2 OF 2		REV A	
ANGLES ±-		REV A			
FINISH					